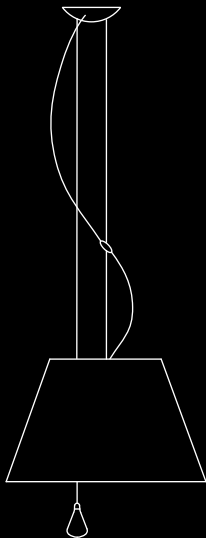
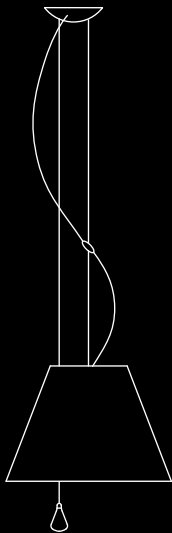


COSTANZA - LADY COSTANZA

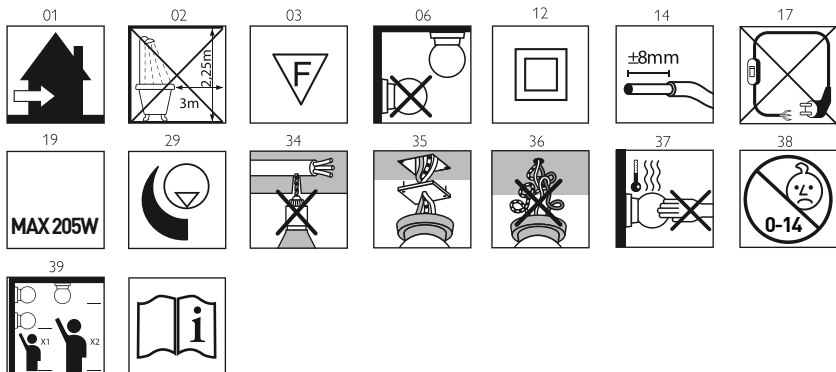
design Paolo Rizzatto



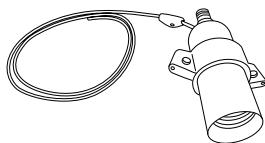
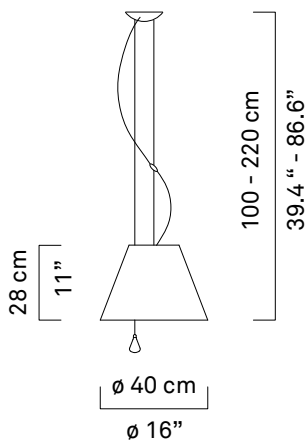
**LUCE
PLAN**

D13 - D13E





D13 sa.s.



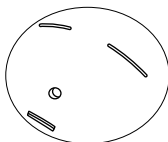
x1



x1



x2

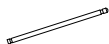


x1



5 m
1970"

x1



x2



x1



x1



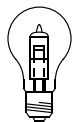
1 kg



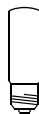
2.2 lb



20/23W
FB
E27

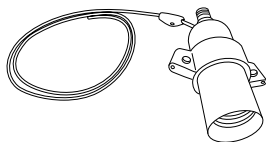
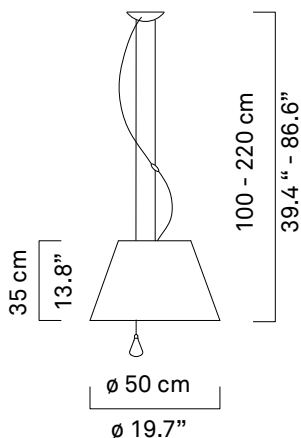


105/140W
HSGSA
E27
energy saver



max 205W
HSGST
E27
energy saver

D13E sa.s.



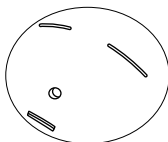
x1



x1



x2

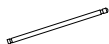


x1



5 m
1970"

x1



x2



x1



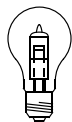
x1

kg 1,5 kg

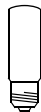
lb 3.3 lb



20/23W
FB
E27

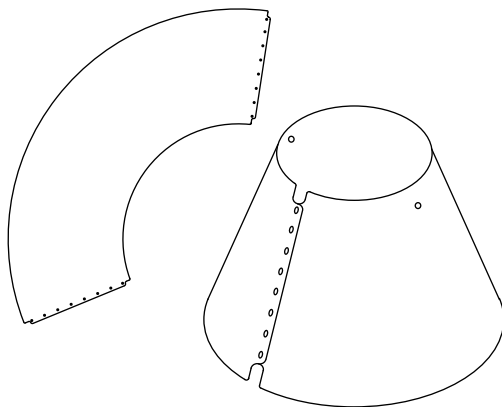


105/140W
HSGSA
E27
energy saver

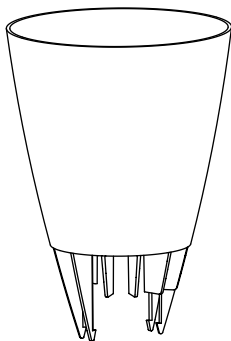


max 205W
HSGST
E27
energy saver

D13/1 - D13E/1



D13/90



D13/25



x1

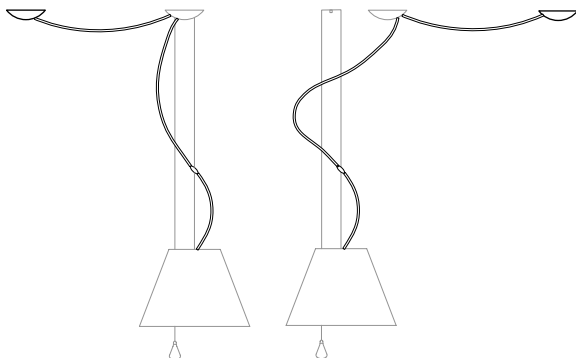
3 m
1180"



x1

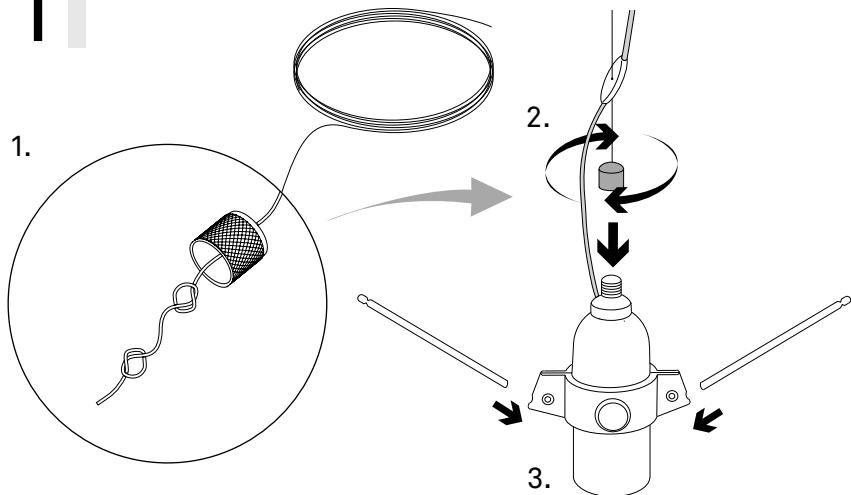


x1

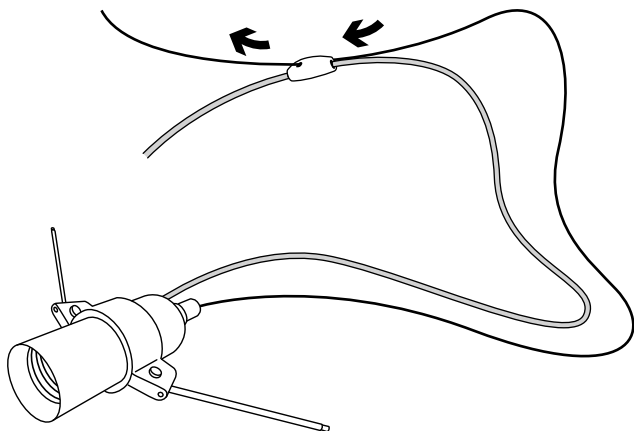


1

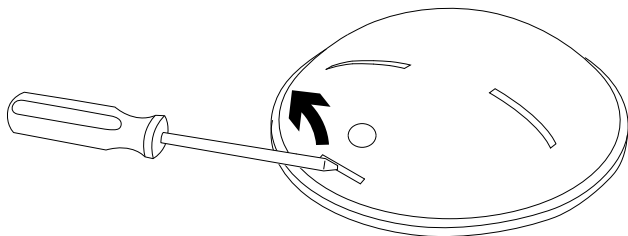
1.



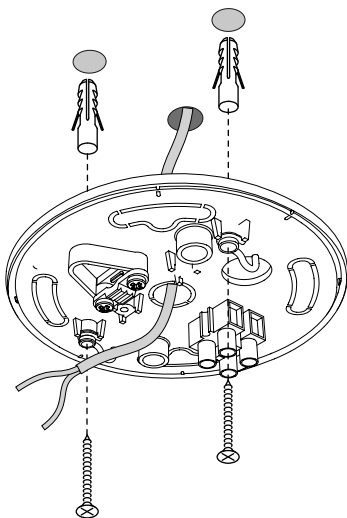
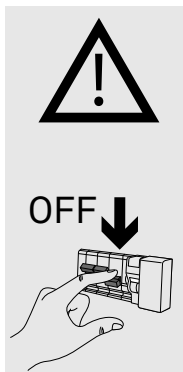
1.1



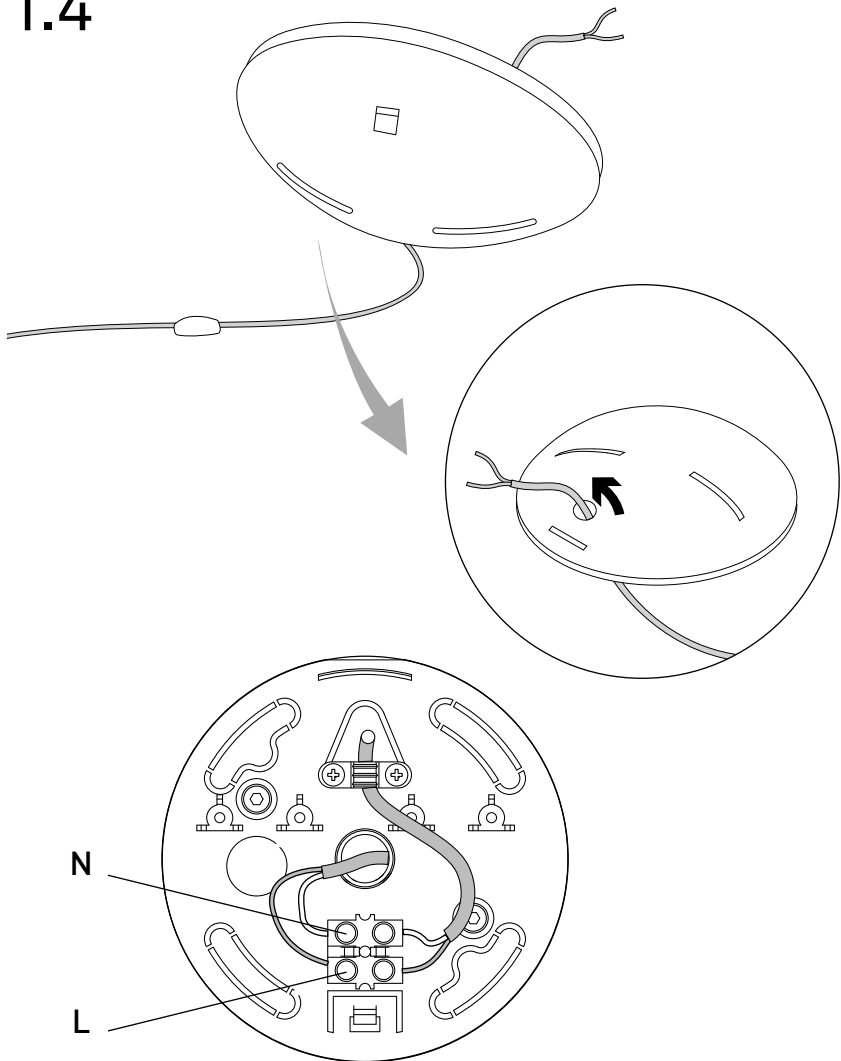
1.2



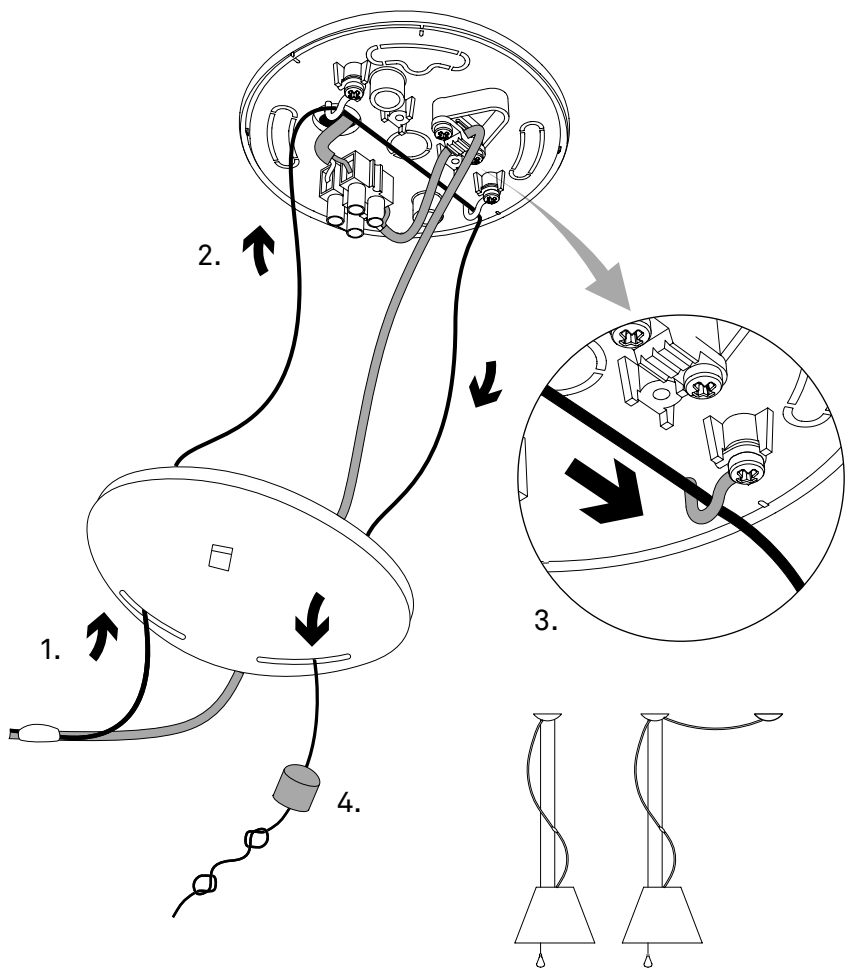
1.3



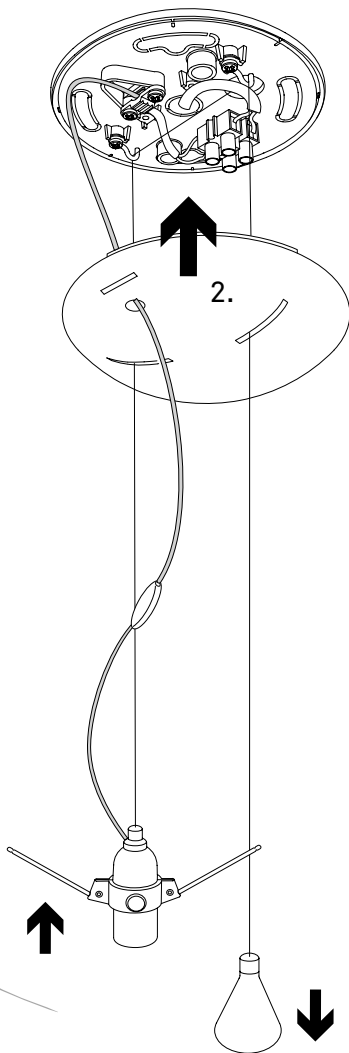
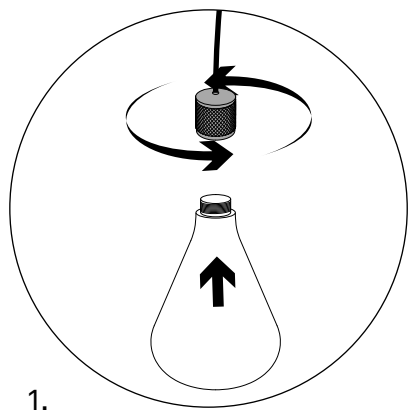
1.4



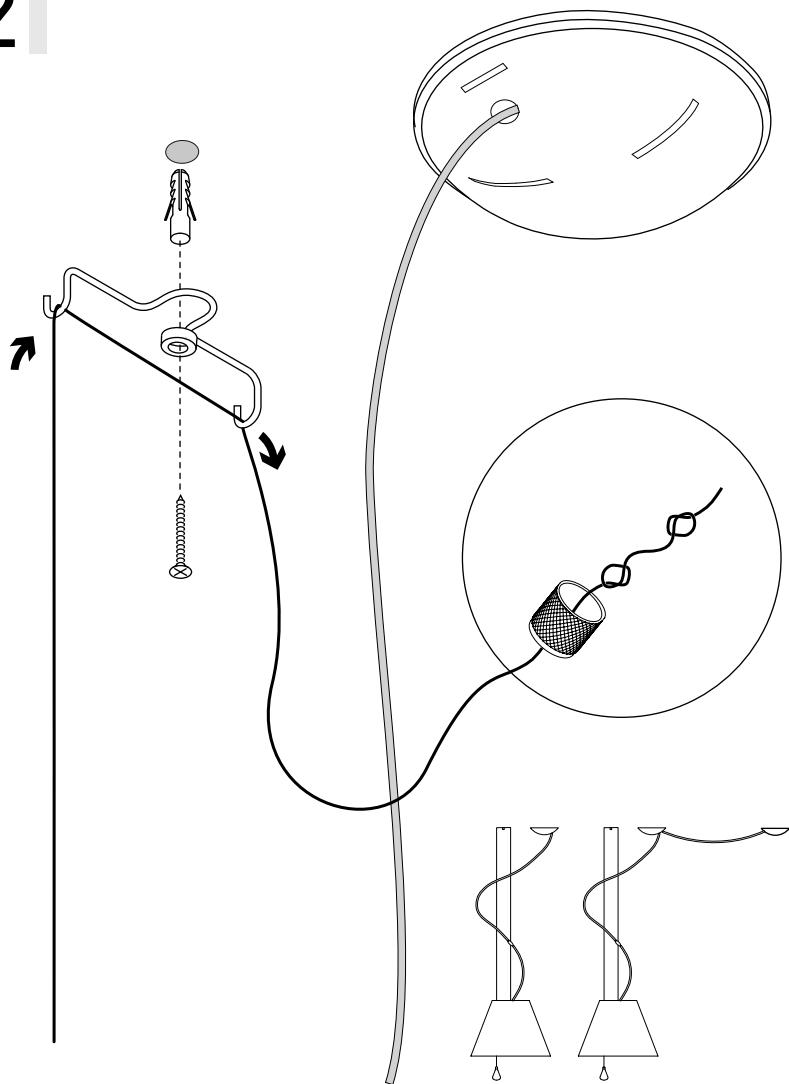
2

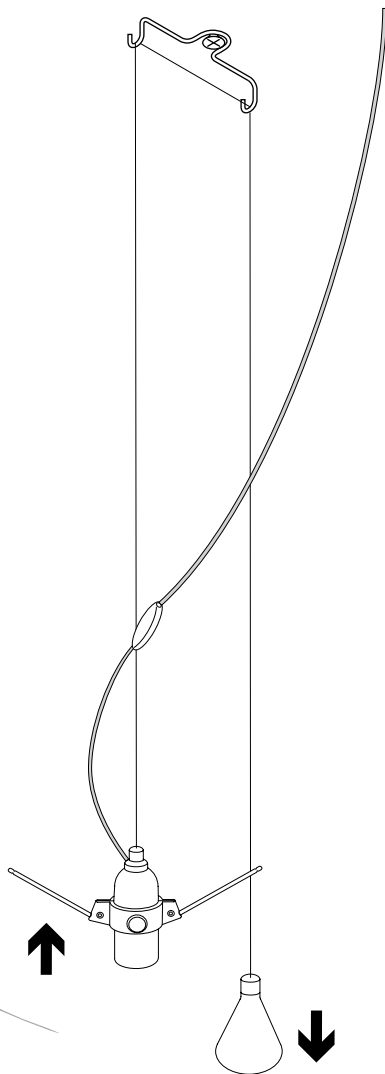
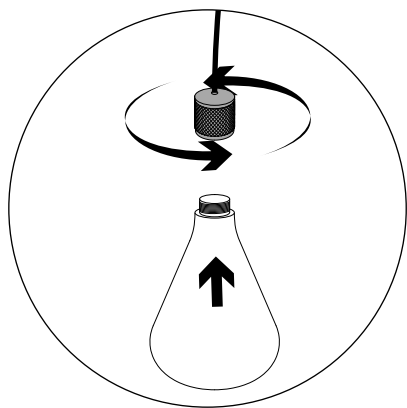


2.1

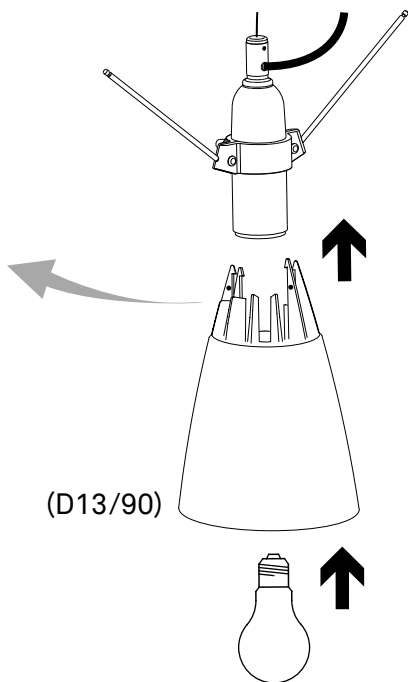
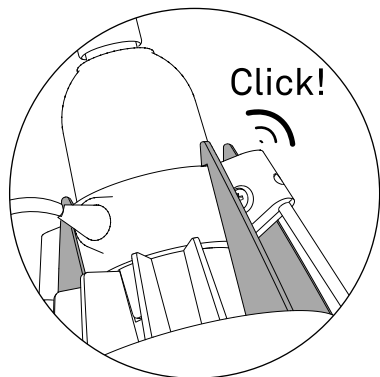


2

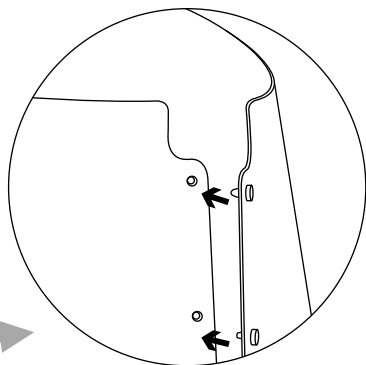
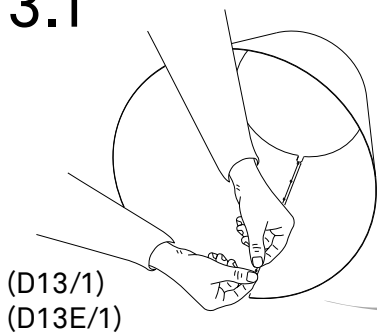


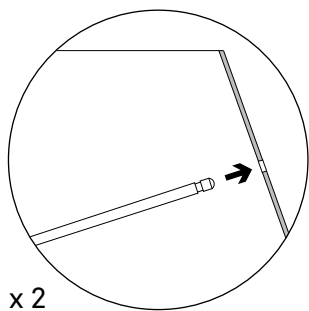


3

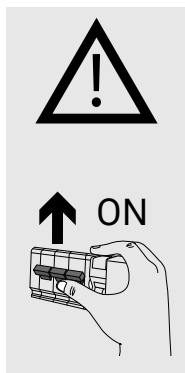
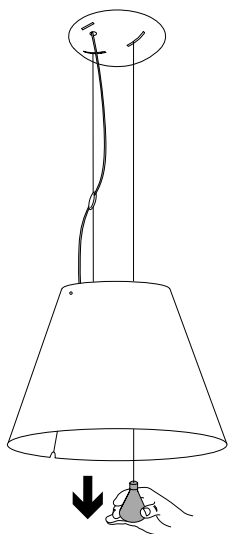
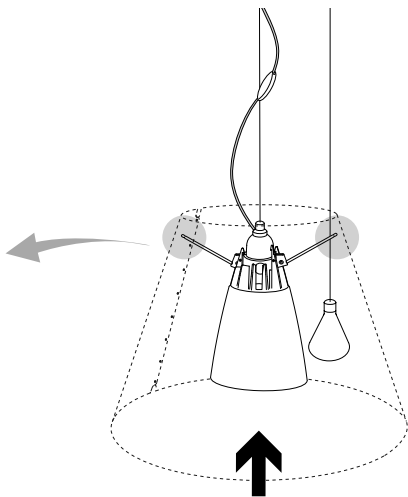


3.1





x 2





Luceplan Spa
Via E.T. Moneta 40
20161 Milano
Italia
T +39 02662421
F +39 0266203400
info@luceplan.com

Luceplan USA
14 Wooster Street
New York, NY 10013
infous@luceplan.com

www.luceplan.com



Quality System
Certificate
UNI EN
ISO 9001

D130IA221