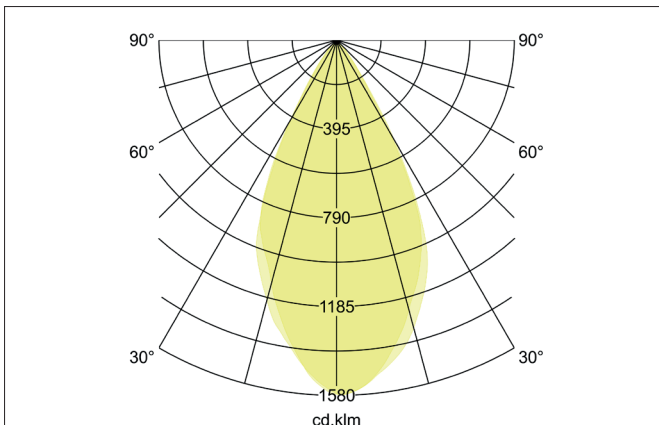
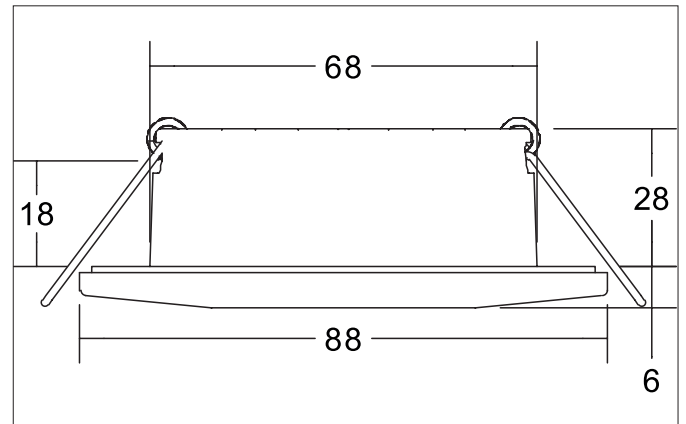


**CHOOOSE LED recessed downlight set, with adjustable color temperature, trailing-edge phase dimmable**

Article no. 39253153

Light.  
For Generations.**Tender**

LED recessed downlight set, with adjustable color temperature, trailing-edge phase dimmable, Round. Toolless ceiling installation by installation springs. Ceiling cut-out  $\varnothing$  68 mm, Installation depth 28 mm, Outer diameter 88 mm, Weight 0,203 kg, Reflector silver with rotations-symmetrical, deep, wide distributed light intensity. optimal light distribution due to a polycarbonat clear cover. Luminous flux 510 lm, Power 1 x 4,5 W, System Efficiency 113 lm/W, Light colour neutral white to warm white, Correlated color temprature (CCT) 4.000 - 2.700 K, Colour rendering index CRI > 80, Housing material: Aluminium / Steel / Plastic, Colour: Nickel, Permissible ambient temperature ( $t_a$ ): -20 °C - +25 °C, Protection class (EN 61140): II, Degree of protection (DIN EN 60529): IP44. With electronic driver, Trailing-edge phase dimmable.

**Product Benefits**

- IP44 protection class for indoor wet room applications
- Flexible adjustment of the desired color temperature via DIP switch on the front
- Magnetically attached round bezel (alternatively: square)
- Available in three current colors
- Standard ceiling cut-out 68 mm - low installation depth 28 mm
- Dimmable via trailing-edge phase dimmer as standard (supplied as a set)
- Panels also available individually (for conversion, renovation, etc.)

**CHOOOSE LED recessed downlight set, with adjustable color temperature, trailing-edge phase dimmable**

Article no. 39253153

Light.  
For Generations.

Article data	
Article no.	39253153
GTIN	4251433958109
Series name	CHOOOSE
Short description	LED recessed downlight set, with adjustable color temperature, trailing-edge phase dimmable
Material	Aluminium / Steel / Plastic
Colour	Nickel
Type of surface	Glossy
Shape	Round
Outer diameter	88 mm
Built-in diameter	68 mm
Installation depth	28 mm
Hight	6 mm
Scope of delivery	with front DIP switch for color temperature adjustment (switch hidden under magnetically attached cover)
Weight	0.203 kg

Lighting technology	
Colour temperature	2.700 K / 3.000 K / 4.000 K
Light colour	White
Light output	Direct
Luminous flux	510 lm
System efficiency	113 lm/W
Colour rendering	CRI > 80
Reflector	High-gloss
Reflektorfarbe	silver
Beam angle	40°
Light sharing	Symmetric

Operating technology of the luminaire	
System output	4.5 W
Voltage type	AC
AC nominal voltage max	230 V
Frequenz max.	50 Hz
Lamp	LED
Protection class	II
Degree of protection	IP44
Schutzart deckenseitig	IP20
Dimmable	Yes
Control	Trailing-edge phase
Bulb change possible	The light source of this luminaire may only be replaced by the manufacturer or a service technician commissioned by him or a similarly qualified person.

Mounting technology	
Mounting method	Recessed mounting
Place of installation	Ceiling-mounted
Adjustability	Not adjustable
Max. ceiling thickness	15 mm
Further references	No cover with thermal insulation material
Material cover	Polycarbonat clear
Suitable for through-wiring	Yes, with optional accessories

**CHOOOSE LED recessed downlight set, with adjustable color temperature, trailing-edge phase dimmable**

Article no. 39253153

Light.  
For Generations.

Packing data	
Gross weight	0.257 kg
Length of packaging	95 mm
Packaging width	75 mm
Packaging height	95 mm
Disposal at end of life	<p>This product must not be disposed of with household waste. You are obliged, to dispose of such electrical waste separately.</p> <p>By disposing of electrical waste and other old or defective electronics separately, you support recycling or other forms of re-use. In that way you help to take care and to avoid that harmful substances get into the environment.</p>

Accessories	
-------------	--