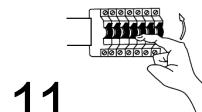
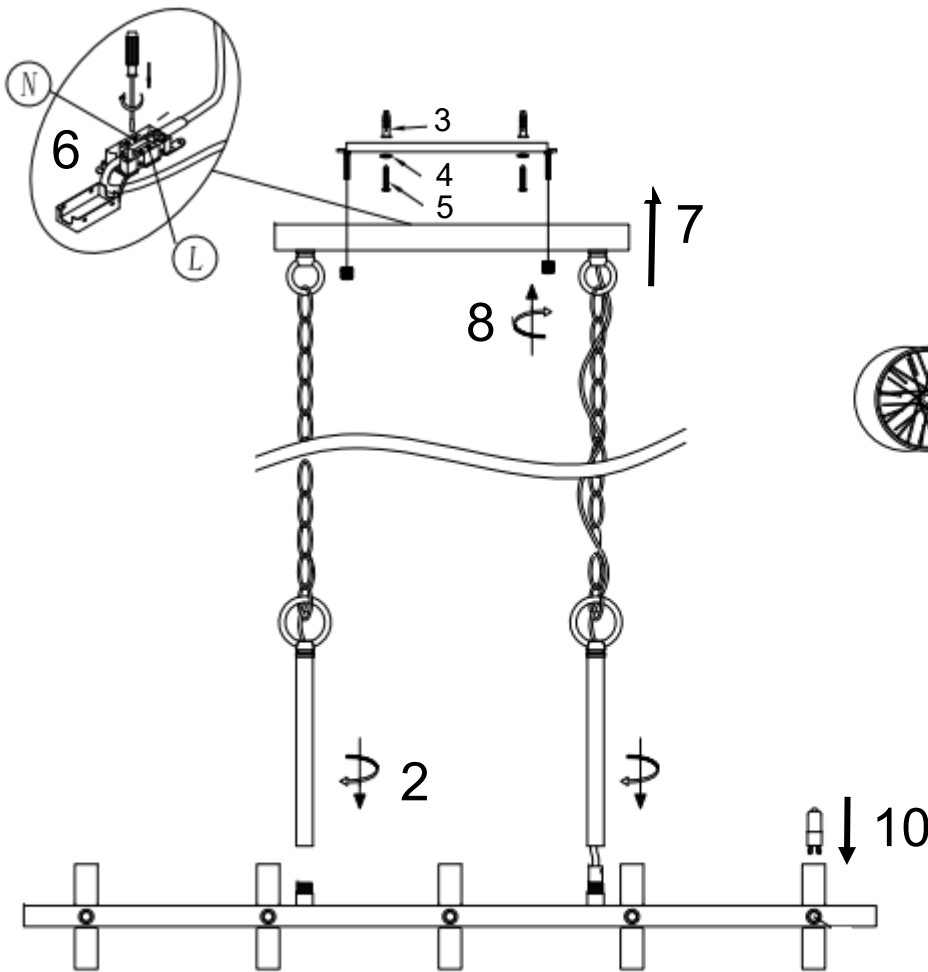
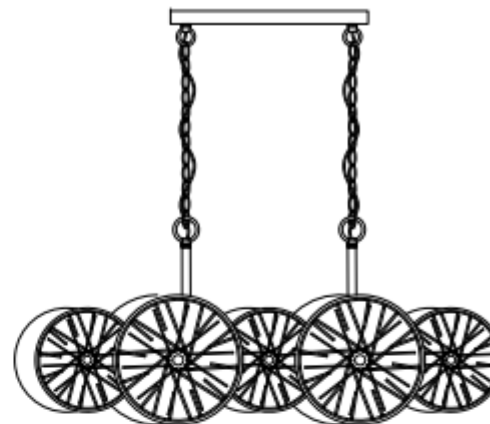


1

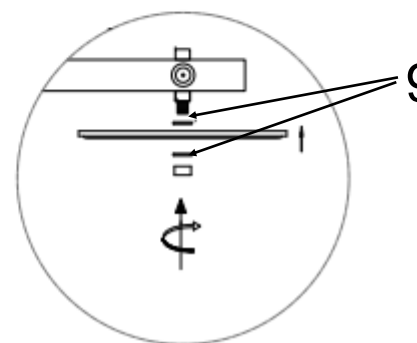


11



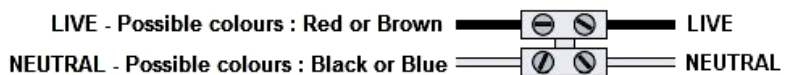
4pcs

6pcs



APPROVED  
12/4/2023  
ISSUE 1  
Q.C

**MAINS SUPPLY**



**LIGHT FITTING**

