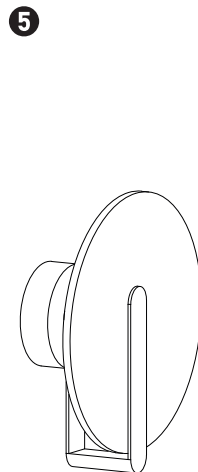
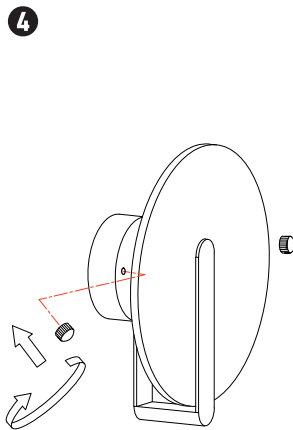
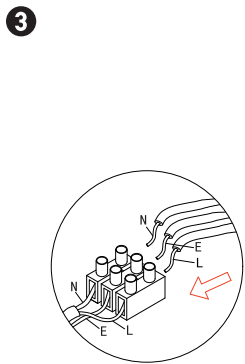
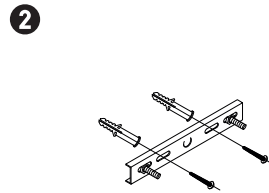
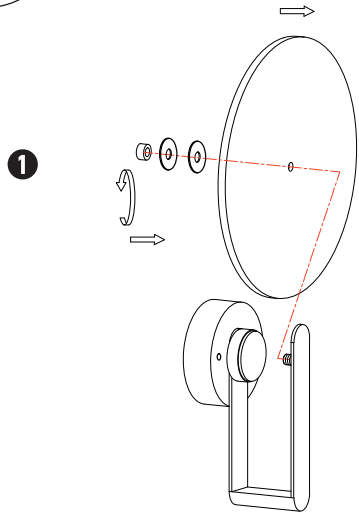
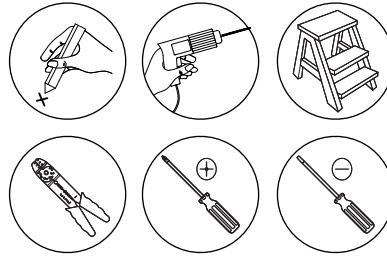


Connecting the Terminal Block

Connect main supply (**brown** - Live, **blue** - Neutral) into terminal block making sure all connections are tight.



INDOOR WALL LIGHT

2552

Please read instructions before commencing installation and retain for future reference.

SPECIFICATIONS

- **Lamp Type:** LED | 5W | 3000K | CRI 80 | Non Dimmable
- **Material:** Metal | Alabaster
- **Ingress Protection:** IP20 Protection against entry of solid objects greater than 12mm in diameter.

INSTALLATION INSTRUCTIONS

Electrical products can cause death, injury, or property damage. Maintenance and installation should only be carried out by a professional electrician.

- Ensure the main supply is switched off.
- Install all the parts one by one and screwing them like the diagram (1).
- Install the mounting anchors on the wall and fix the mounting bracket with M4 self-taping screws (2).
- Connect the positive and negative ground wires, and connect the power cord (3). Making sure all connections are tight.
- Fix the wall light using the decorative screws. (4).
- Reconnect power.

WARNING

Make sure that the products are installed properly before connecting to electricity. Do not cover the luminaire with thermally insulating material. Do not exceed the maximum wattage rating of the lamp. If the light source is contained in this luminaire (integrated LED), it shall only be replaced by the manufacturer, his service agent, or a similarly qualified person.

