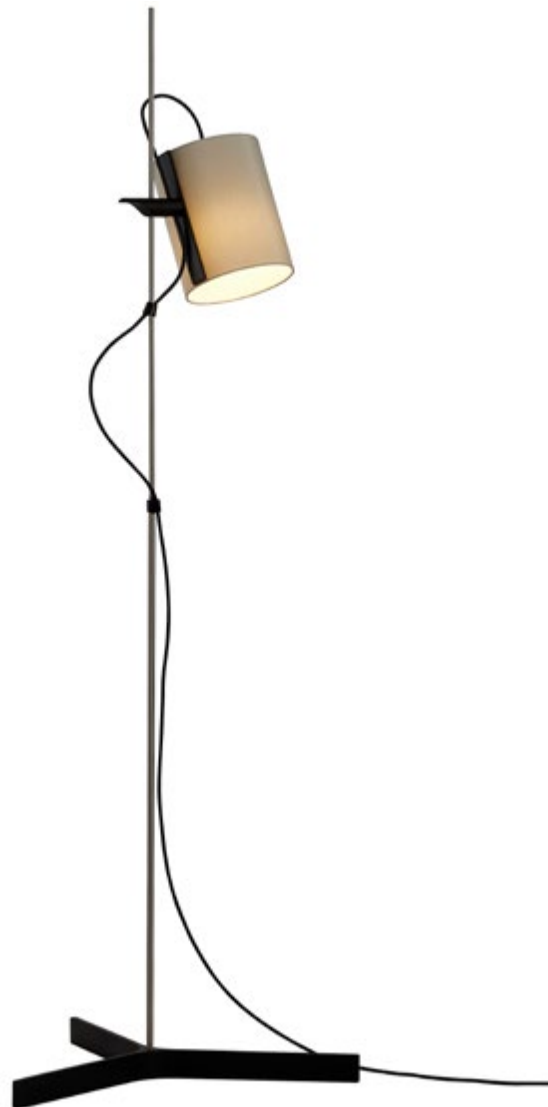


MAGNETIC FOCO + MAGNETIC

GABRIEL
TEIXIDÓ
2022



CARPYEN
BARCELONA SINCE 1948

Carpyllum70 S.L.
C/ Pere IV 78-84 E-08005 Barcelona
T +34 93 320 99 90

Spain: comercial@carpyen.com
Export: export@carpyen.com
Special project: antony@carpyen.com

MAGNETIC FOCO

GABRIEL
TEIXIDÓ
2022



CARPYEN
BARCELONA SINCE 1948

Caryellum70 S.L.
C/ Pere IV 78-84 E-08005 Barcelona
T +34 93 320 99 90

Spain: comercial@carpyen.com
Export: export@carpyen.com
Special project: antony@carpyen.com

MAGNETIC FOCO



CARPYEN
BARCELONA SINCE 1948

Carpylum70 S.L.
C/ Pere IV 78-84 E-08005 Barcelona
T +34 93 320 99 90

Spain: comercial@carpyen.com
Export: export@carpyen.com
Special project: antony@carpyen.com

MAGNETIC FOCO



CARPYEN
BARCELONA SINCE 1948

Carpyellum70 S.L.
C/ Pere IV 78-84 E-08005 Barcelona
T +34 93 320 99 90

Spain: comercial@carpyen.com
Export: export@carpyen.com
Special project: antony@carpyen.com

MAGNETIC FOCO



CARPYEN
BARCELONA SINCE 1948

Carpylum70 S.L.
C/ Pere IV 78-84 E-08005 Barcelona
T +34 93 320 99 90

Spain: comercial@carpyen.com
Export: export@carpyen.com
Special project: antony@carpyen.com

MAGNETIC

GABRIEL
TEIXIDÓ
2022



MAGNETIC



CARPYEN
BARCELONA SINCE 1948

Carpylum70 S.L.
C/ Pere IV 78-84 E-08005 Barcelona
T +34 93 320 99 90

Spain: comercial@carpyen.com
Export: export@carpyen.com
Special project: antony@carpyen.com

MAGNETIC FOCO + MAGNETIC

Materiales / Materials
Matériaux / Matters

Acabados / Finishes
Finitions / Ausführung

Pantallas / Shades
Abat-jours / Schirm

Estructura: metal y madera
Structure: metal and wood
Structure: métal et bois
Struktur: Metall und Holz

Pantalla: tejido
Lampshade: fabric
Abat-jour: tissu
Lampenschirm: Stoff



Nácar
Nacre
Nacré
Perlgl



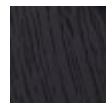
+
Roble natural
Natural Oak
Chêne naturel
Eiche natur



Fibra natural
Natural fiber
Fibre naturelle
Naturfasern



Níquel Mate
Matt nickel
Nickel mat
Nickel matt



+
Roble negro
Black oak
Chêne noir
Schwarze Eiche



Verde caqui
Khaki green
Vert kaki
Grünes Khaki

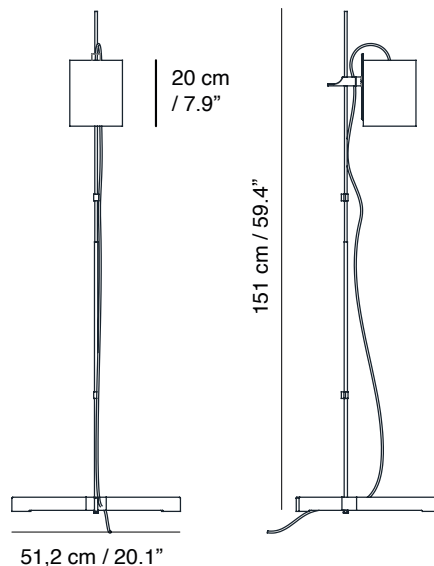
Medidas / Measures
Measurements / Mittengun

LED

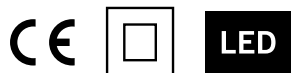
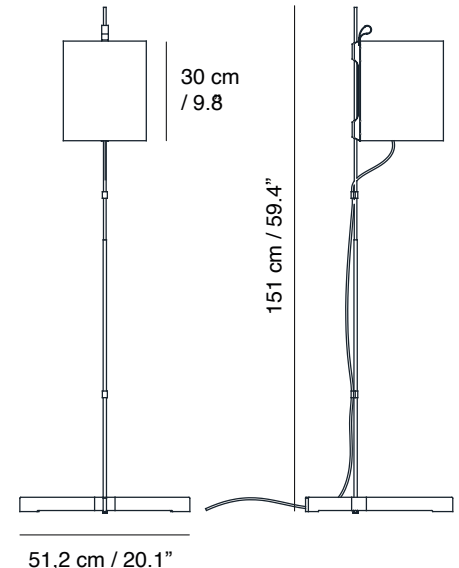
E-27 Max 20 Watts

Equipado con interruptor
Equipped with switch
Équipé d'un interrupteur
Mit Schalter

Ø 16 cm / 6.3"



Ø 25 cm / 11.8"



CARPYEN
BARCELONA SINCE 1948

Carpyellum70 S.L.
C/ Pere IV 78-84 E-08005 Barcelona
T +34 93 320 99 90

Spain: comercial@carpyen.com
Export: export@carpyen.com
Special project: antony@carpyen.com