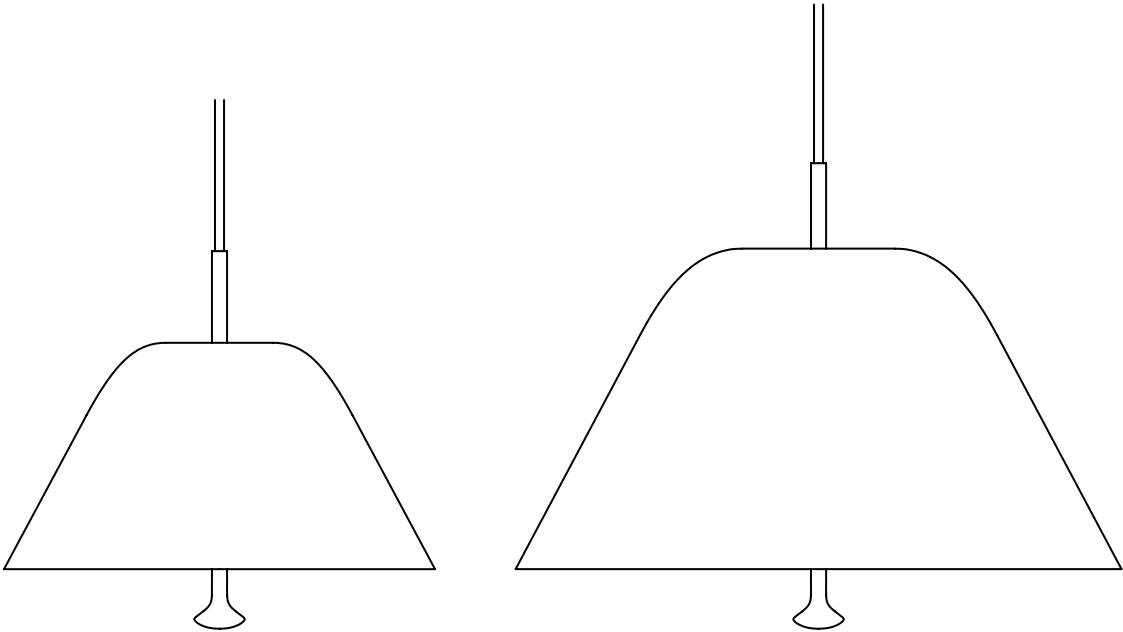


Levitate Pendant 28 & 40

by Afteroom



MENU

Congratulations

Congratulations on your new lamp designed by Afteroom. We hope you will enjoy using this lamp and follow these instructions to ensure correct installation. These instructions are provided for your safety. It is important that the instructions are read carefully and completely before assembling.

This Assembly Instructions cover below items

Levitate Pendant, 28

Levitate Pendant, 40

Component overview and technical details

1 pc. Levitate Pendant, 28 with aluminum shade, glass diffuser, solid brass, 2 pcs lamp holder for E14 (not included) max 25 Watt, 4 m black soft PVC cord and black ABS canopy.

1 pc. Levitate Pendant, 40 with aluminum shade, glass diffuser, solid brass, 2 pcs lamp holder for E27 (not included) max 25 Watt, 4 m black soft PVC cord and black ABS canopy.

The Levitate Pendants is tested according to Ceiling/Pendant lamp: EN 60598-2-1

Care and maintenance

Please see care instructions on www.menuspace.com

BE SURE THE ELECTRICITY TO THE WIRES YOU ARE WORKING ON IS SHUT OFF; EITHER THE FUSE IS REMOVED OR THE CIRCUIT BREAKER IS TURNED OFF.

Please check the specific rules for electrical installation work in your country. Some countries may require an authorised electrical contractor.

IMPORTANT

If you have any problems regarding the electrical installation, contact a certified electrician. Always shut off power to the circuit before starting installation work.

If the external flexible cable or cord of this luminaire is damaged, it shall be exclusively replaced by the manufacturer or his service agent or a similar qualified person in order to avoid a hazard. The connecting between the supply and connection leads via a terminal block box which conform to IEC/EN 60998 (IP20 or better; two poles; AC 250 V or better; 10 A or better; 0,75-1,5 mm²; class II construction terminal with enclosure and cable protection, sleeve for fixed mounting)

Terminal block not included. Installation must be performed by a qualified person.

WARNINGS

Dispose of plastic bag from packaging and do not allow children to play with it.

- Keep product well out of children's reach.
- Do not attempt installation of product if you are not competent to do so yourself.
- Consult a professionally qualified electrician if in any doubt.

CAUTION - RISK OF ELECTRIC SHOCK. DO NOT USE IF OUTER LAMP ENVELOPE IS DAMAGED OR BROKEN.

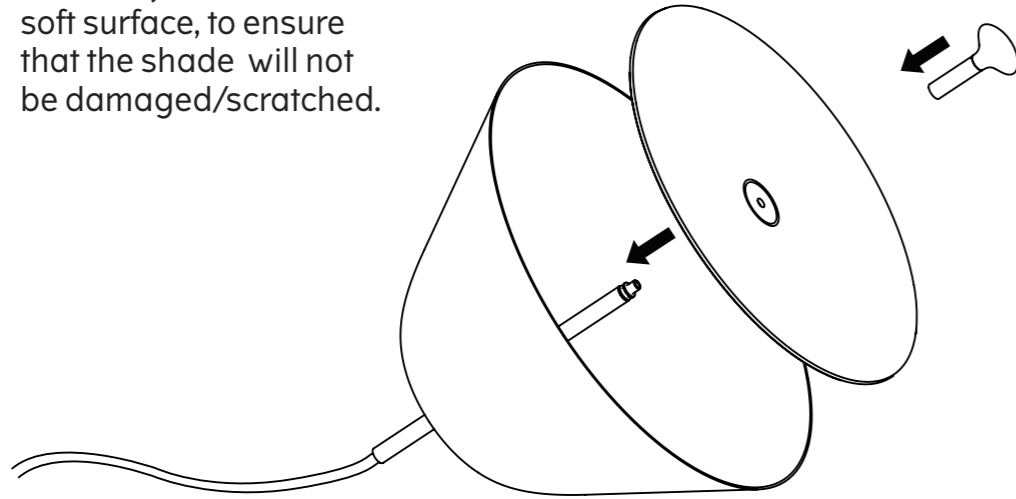


Correct Disposal of this product

This marking indicates that this product should not be disposed with other household wastes throughout the EU. To prevent possible harm to the environment or human health from uncontrolled waste disposal, recycle it responsibly to promote the sustainable reuse of material resources. To return your device, please use the return and collection system or contact the retailer where the product was purchased. They can take this product to environmentally safe recycling.

1

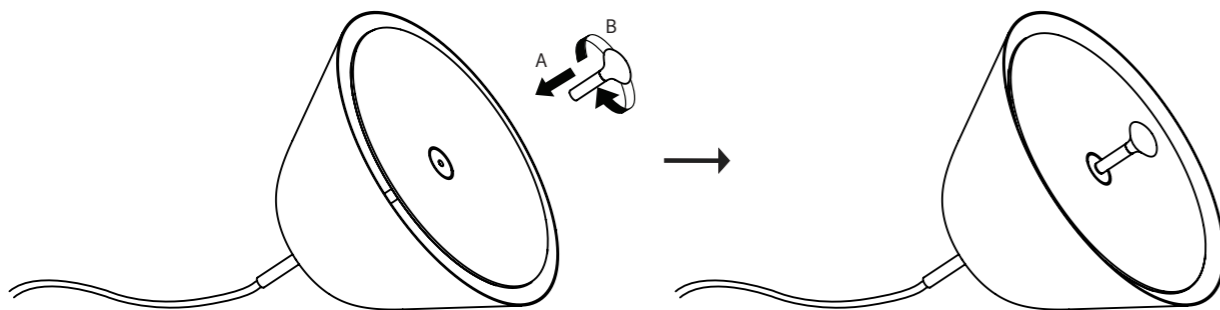
NOTE!
Please ensure that all assembly is done on a soft surface, to ensure that the shade will not be damaged/scratched.



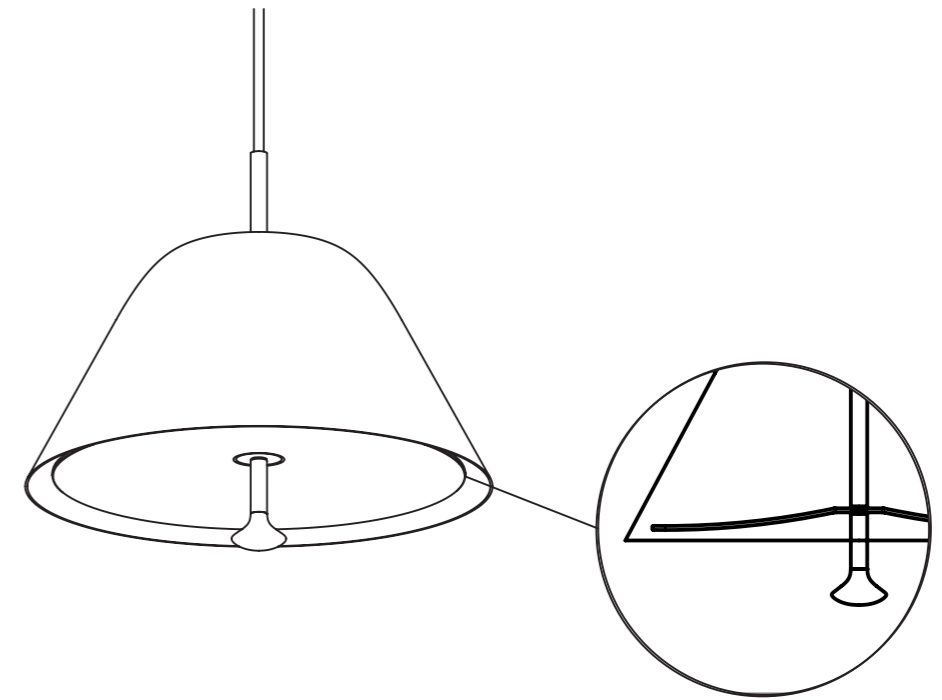
2

NOTE!
Do **NOT** overtighten the screw.

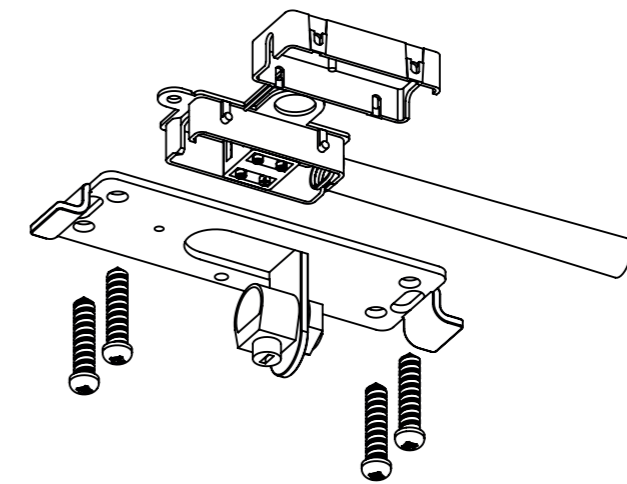
If overtighten, the glass will break.



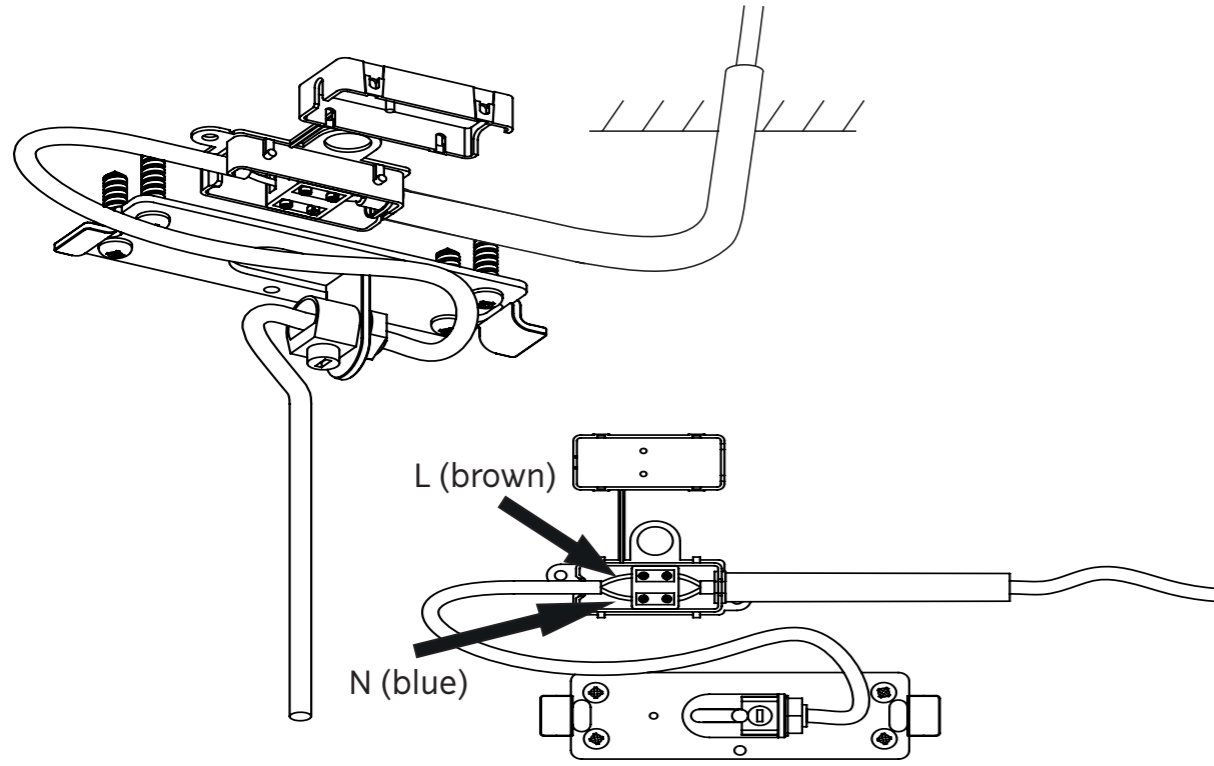
3



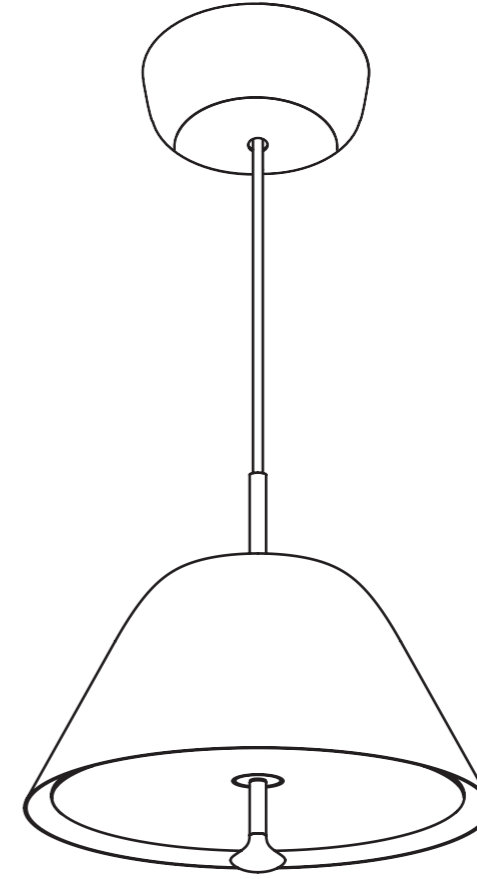
4



5



7



6

