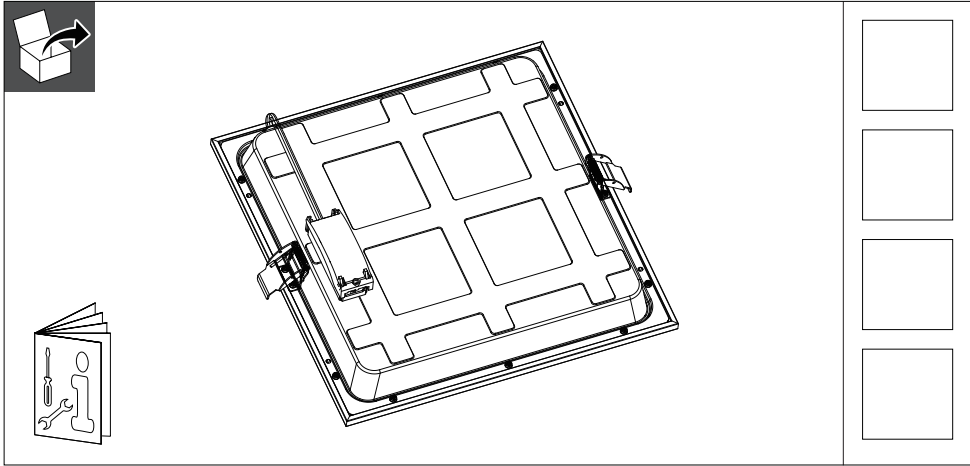


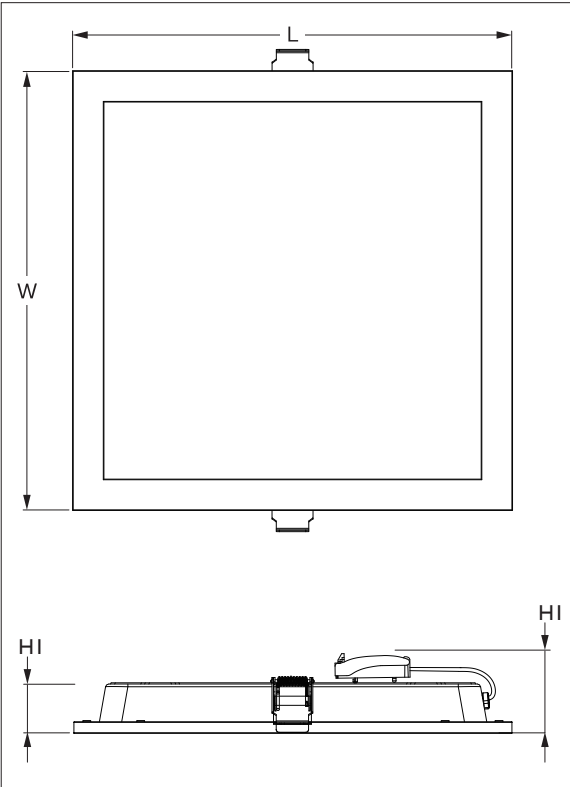
PHILIPS

Projectline

Panel



Energy efficiency									
Lumen (lm)	CCT (K)	P(W)	class of light source	L xW xH (mm)	H1(mm)				
Projectline Panel 3030 1200lm 4000K NOC	1200	4000	15	E	295 x 295 x 34	64			0.55

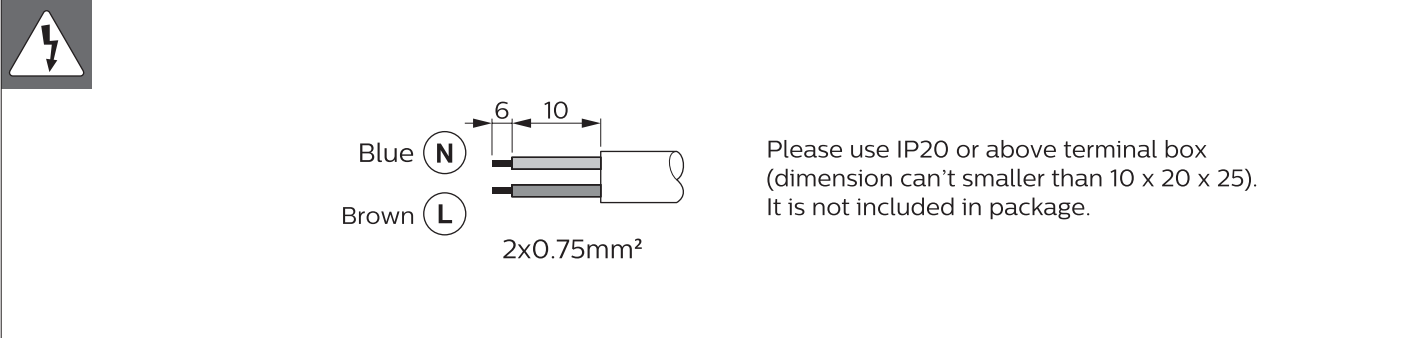
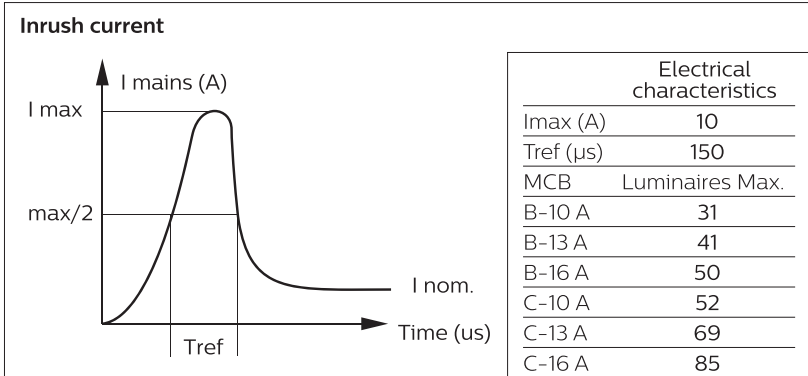


The luminaire shall, under no circumstance, be covered with thermal insulation matting or similar material.

If the external flexible cable or cord of this luminaire is damaged, it shall be exclusively replaced by the manufacturer or his service agent or a similar qualified person in order to avoid a hazard.

The light source contained in this luminaire shall only be replaced by the manufacturer or his service agent or a similar qualified person.

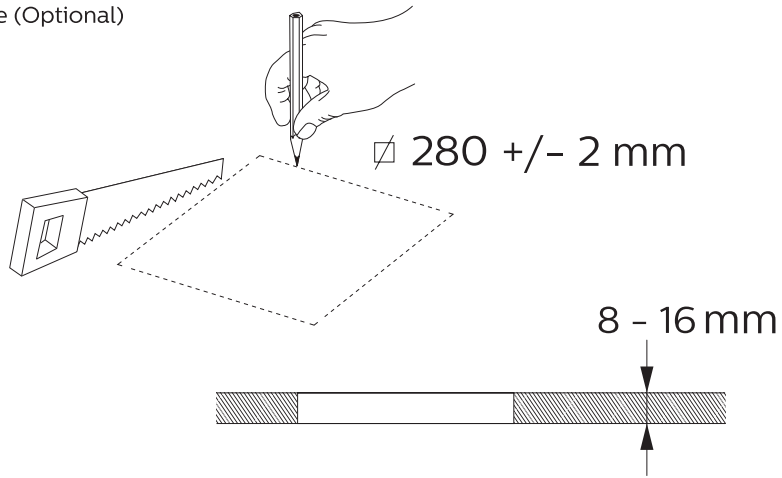
Luminaire must not be used or stored in corrosive environment where hazardous materials such as sulphur, chlorine, phthalates, etc, are present.



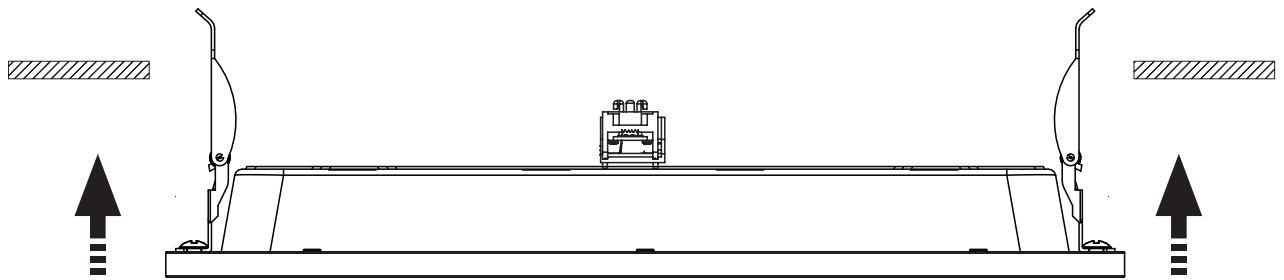
A Plaster Ceiling Version mounting (PCV)



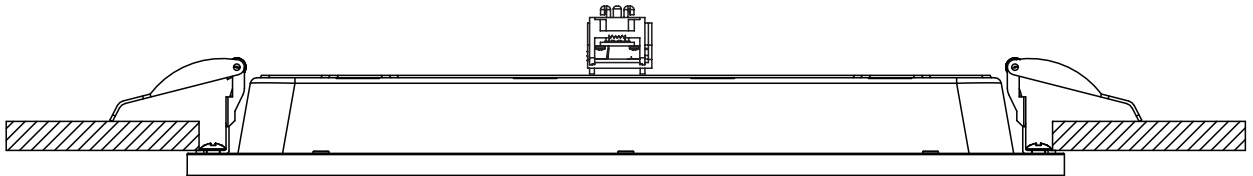
Install safety cable (Optional)



1

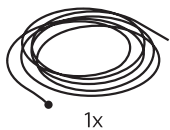
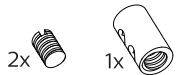
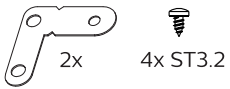


2

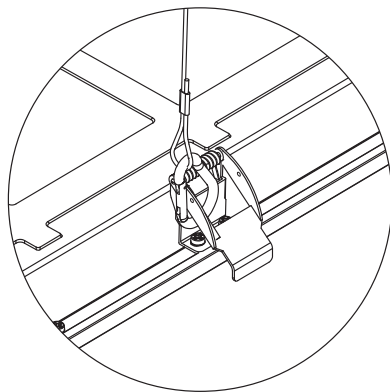


3

Safety cable:
RC065Z SC
911401892680



1x



safety cable included in the box.

