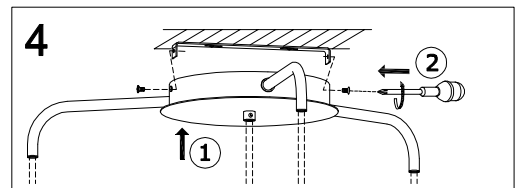
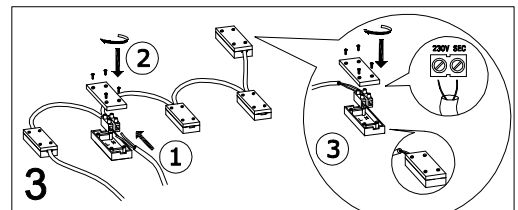
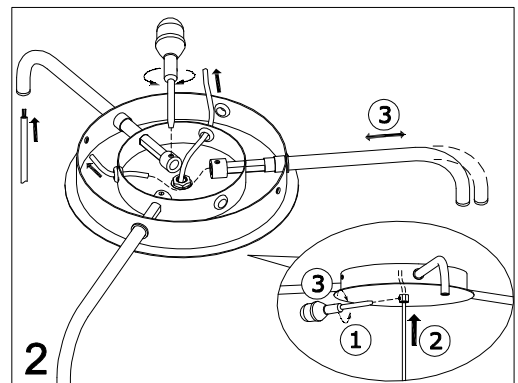
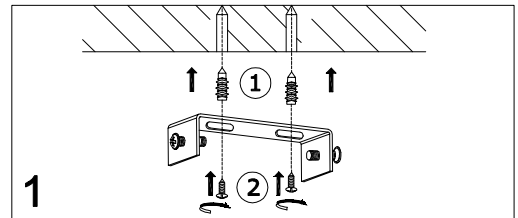
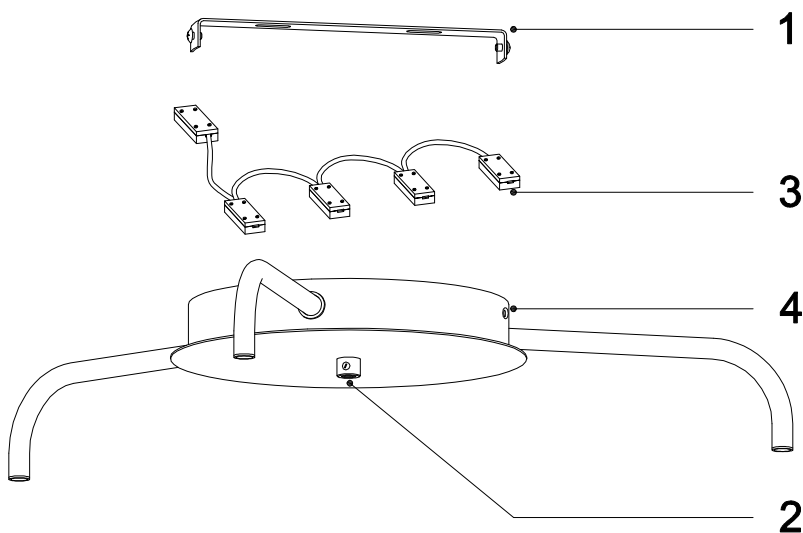


INSTRUCTION MANUAL

Model: Roset til 4 lamper



NOTE

Each arm can hold 2.5kg max.
Center cable outlet 2.5kg max.

INSTRUCTION MANUAL

- 1 Follow the instruction sketch.
- 2 Make sure power is OFF on the outlet, before beginning the installation.

