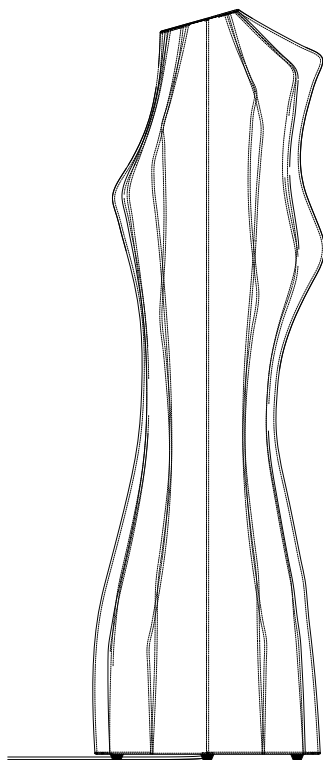


Dae Floor Lamp

Assembly manual



ferm
L I V I N G

General Instructions

PLEASE READ BEFORE INSTALLATION

WARNING:

The safety of this product can only be guaranteed if the following instructions are observed during both installation and use. Please retain these instructions safely after installation.

CAUTION:

Do not press the surface with your hands when moving the lamp base.

PLEASE OBSERVE THE FOLLOWING GUIDELINES:

- Ensure that the power supply has been switched off prior to installation or removal of the product.
- Never undertake an electrical installation without the proper knowledge or training. If not familiar with electrical wiring, contact a qualified electrician.
- The product may in no way be modified or tampered with. Any modification may compromise safety and make the product itself dangerous to use. FERM LIVING does not accept any responsibility for products that have been modified.
- This product requires the use of a lightbulb that is not included. Please use a lightbulb that has the relevant safety certifications and approvals for your area.
- Any modification must be performed only by qualified personnel to avoid any danger.
- This product is meant for indoor use only.
- This appliance should not be disposed in a domestic trash receptacle and should instead be recycled appropriately.

CLEANING INSTRUCTIONS:

Use only a soft cloth to clean the product.

MORE INFORMATION:

To access further information such as product overview and material descriptions, please visit our website at www.fermliving.com. If you have any questions or comments, please do not hesitate to contact us at info@fermliving.com.

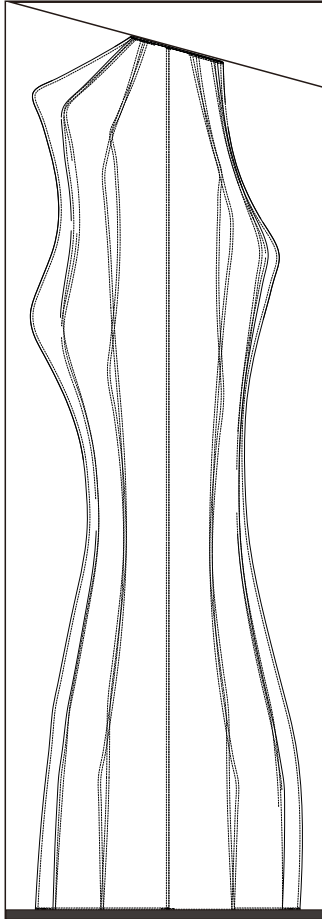
Technical Specifications

DAE FLOOR LAMP

Voltage:	220V-240VAC, 60Hz
Dimmable:	No
Certification:	CE, RoHS, UKCA, CB, IP20
Socket:	E27 socket base
Light source:	3pcs Bulb max 10W LED
	To protect the shade, only use LED light bulb.
	(Light bulb not included)

Assembly Process

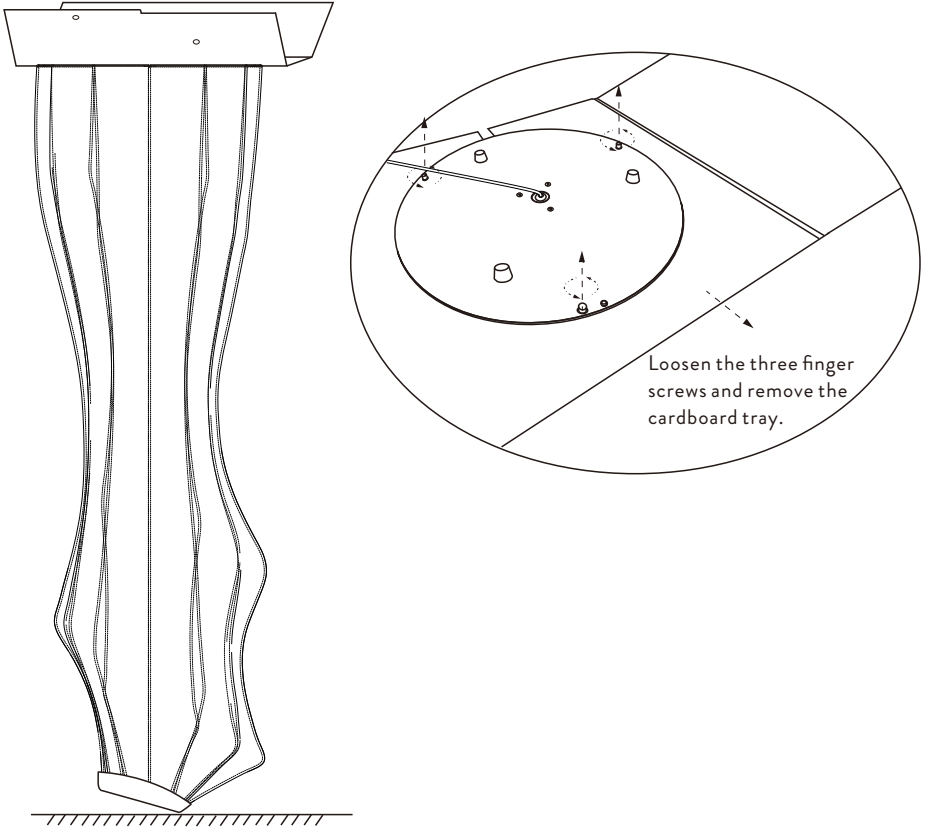
1



Pull the floor lamp out of the box by holding the top cardboard protection and bottom cardboard protection.
Do not touch the surface of the lampshade.

Assembly Process

2

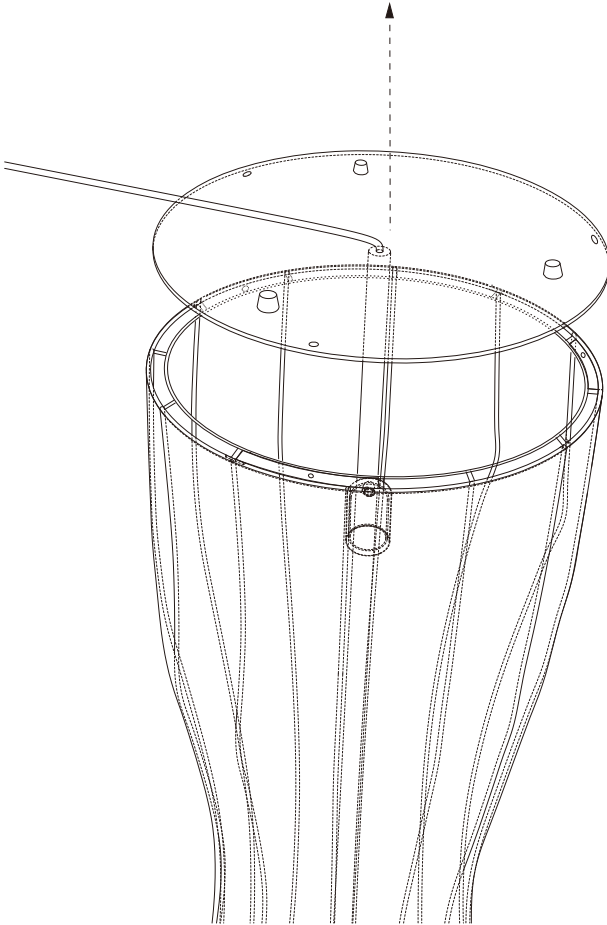


When the lamp is upside down, make sure to only manipulate the lamp by its top or bottom. Do not press or hold on the lampshade.

Assembly Process

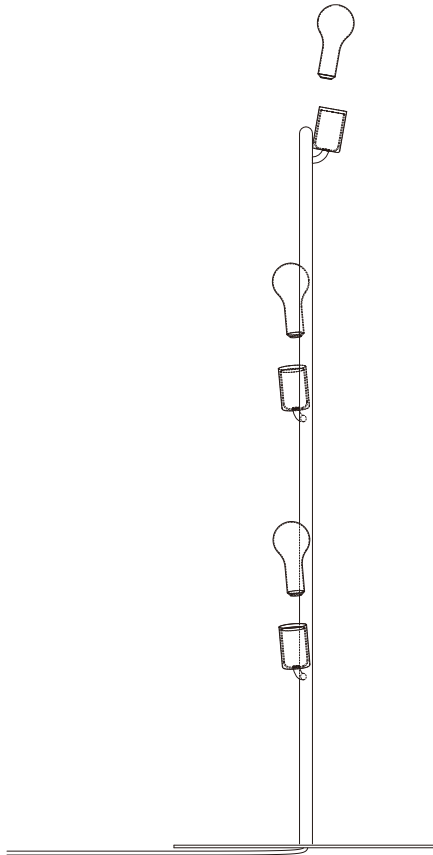
3

Dismantle the base and inner structure with care.



Assembly Process

4

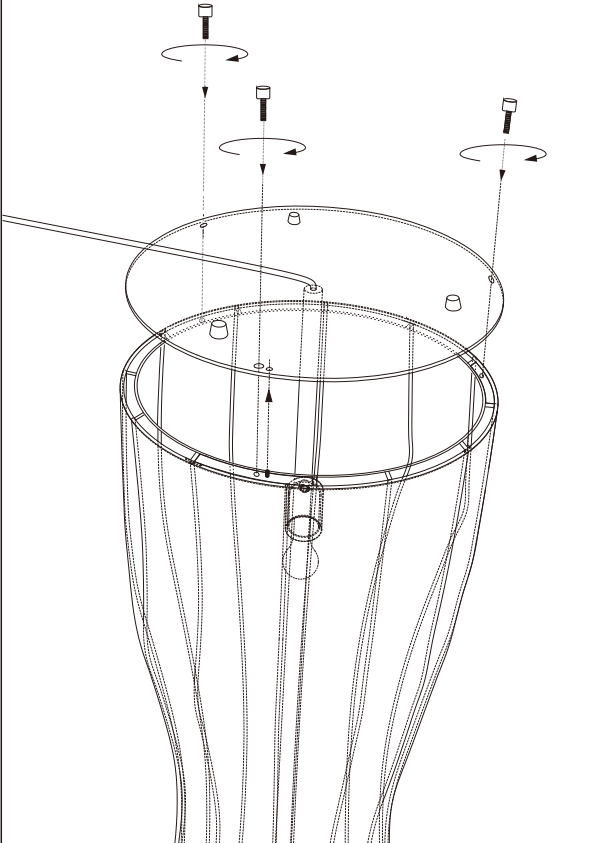


Mount a light bulb, E27 in each socket.
(Light bulb not included).

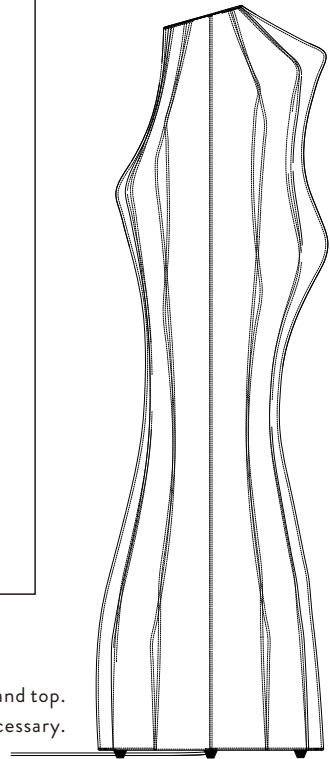
Assembly Process

5

Carefully mount the base and inner structure by aligning with the positioning rod. Tighten the three finger screws.



Carefully turn the lampshade by holding at the bottom and top. Adjust the lamp base by adjusting the feet if necessary.



fermliving.com