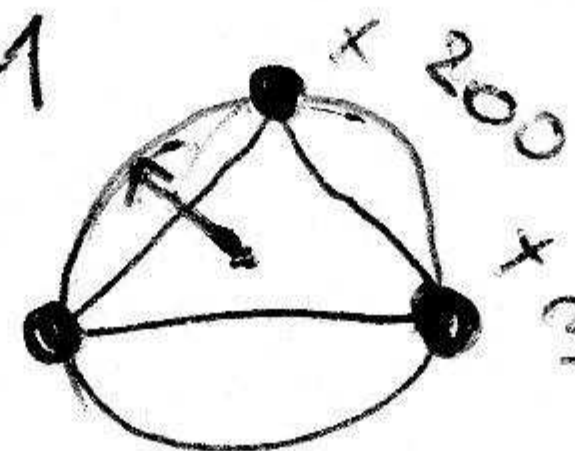
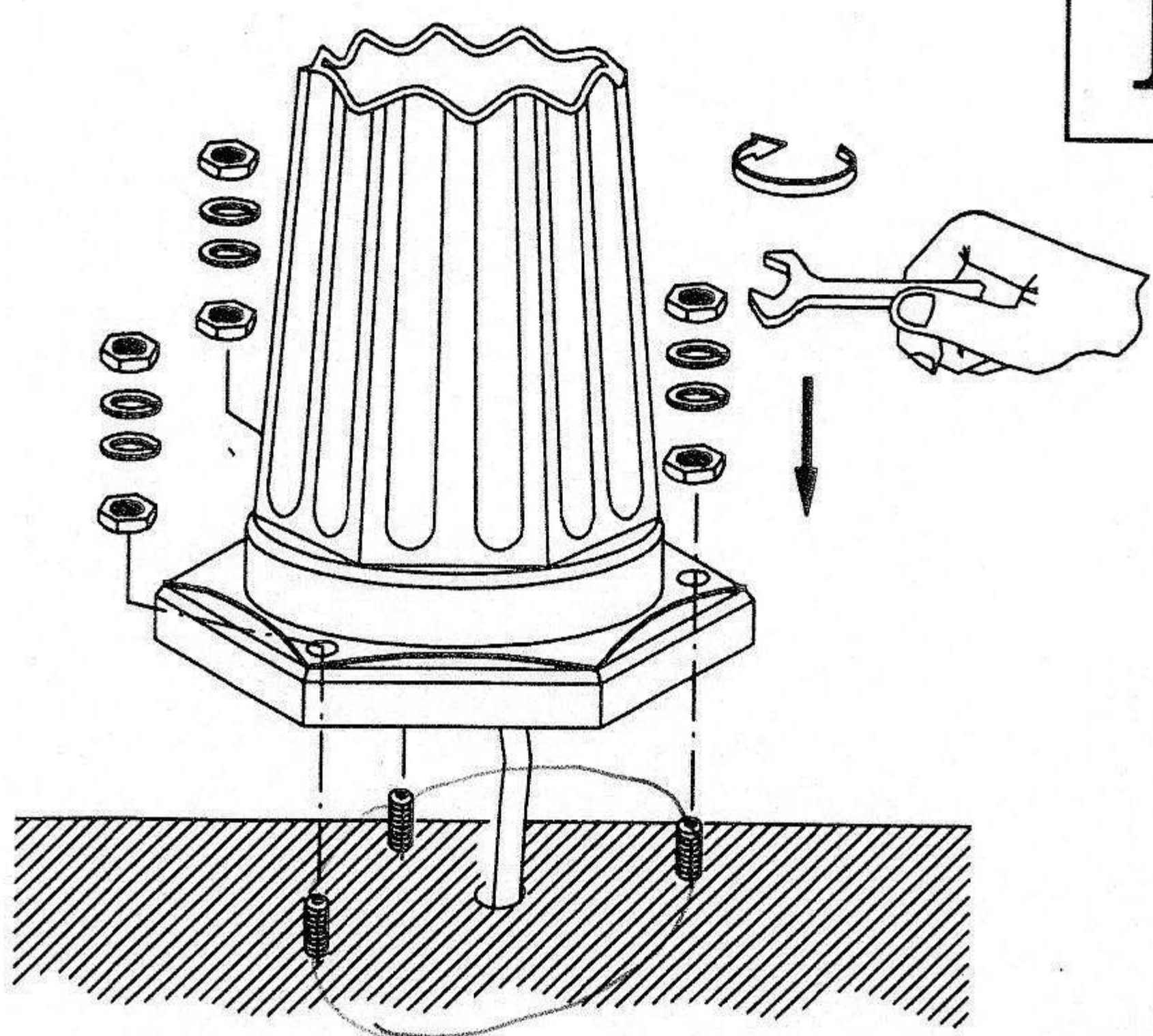


R=231

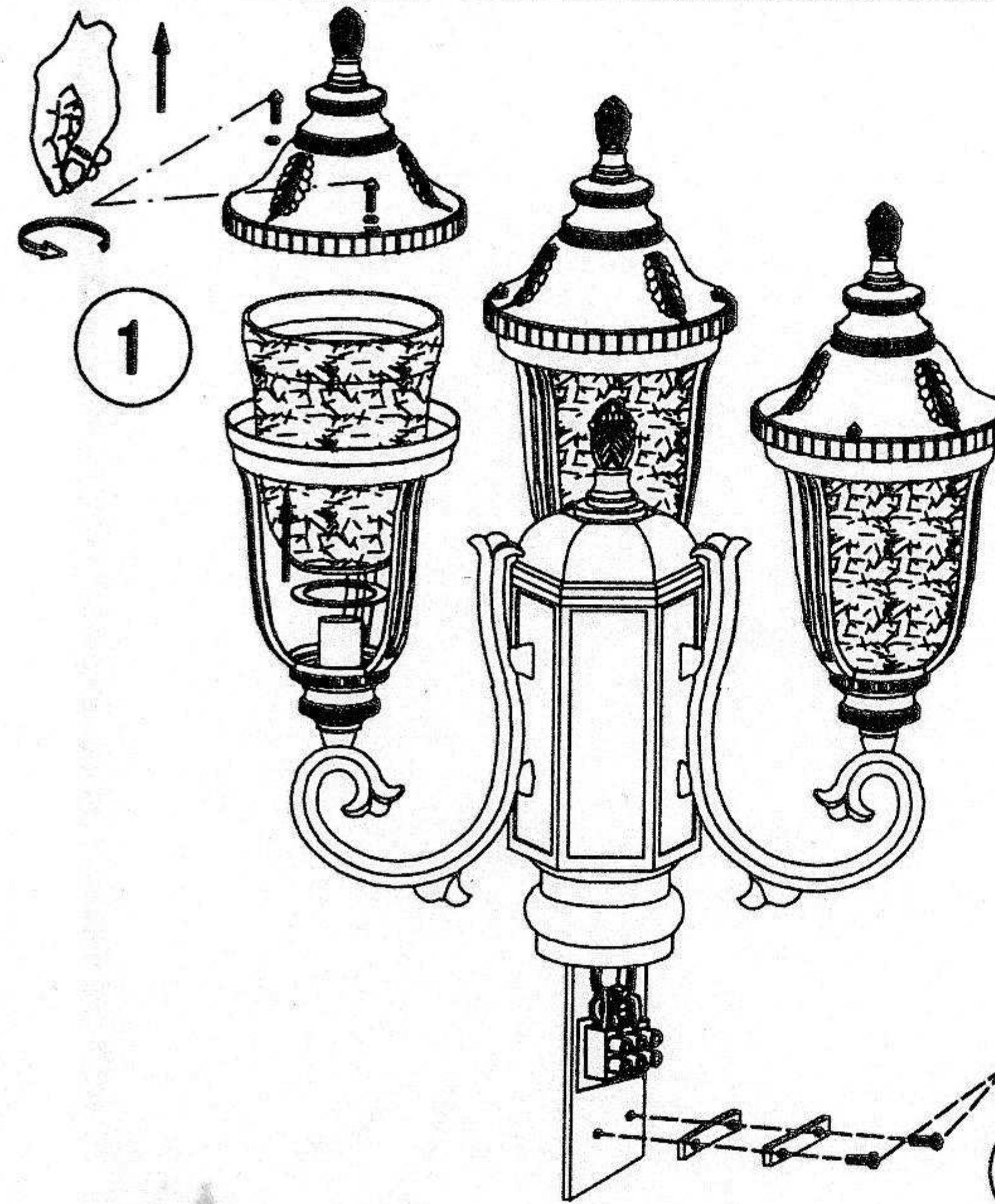


ANCHOR

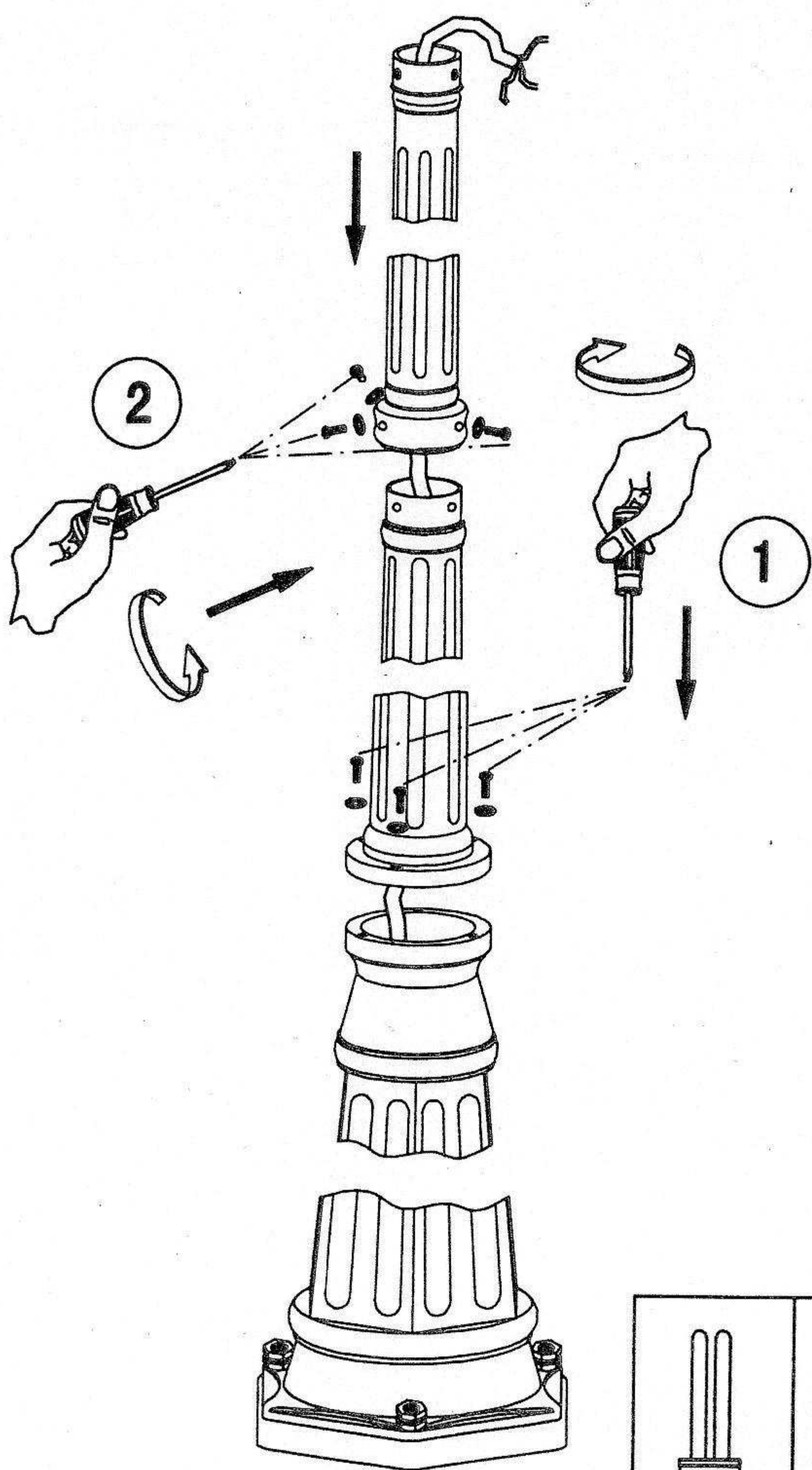
3x DOWEL 10φ (not included)



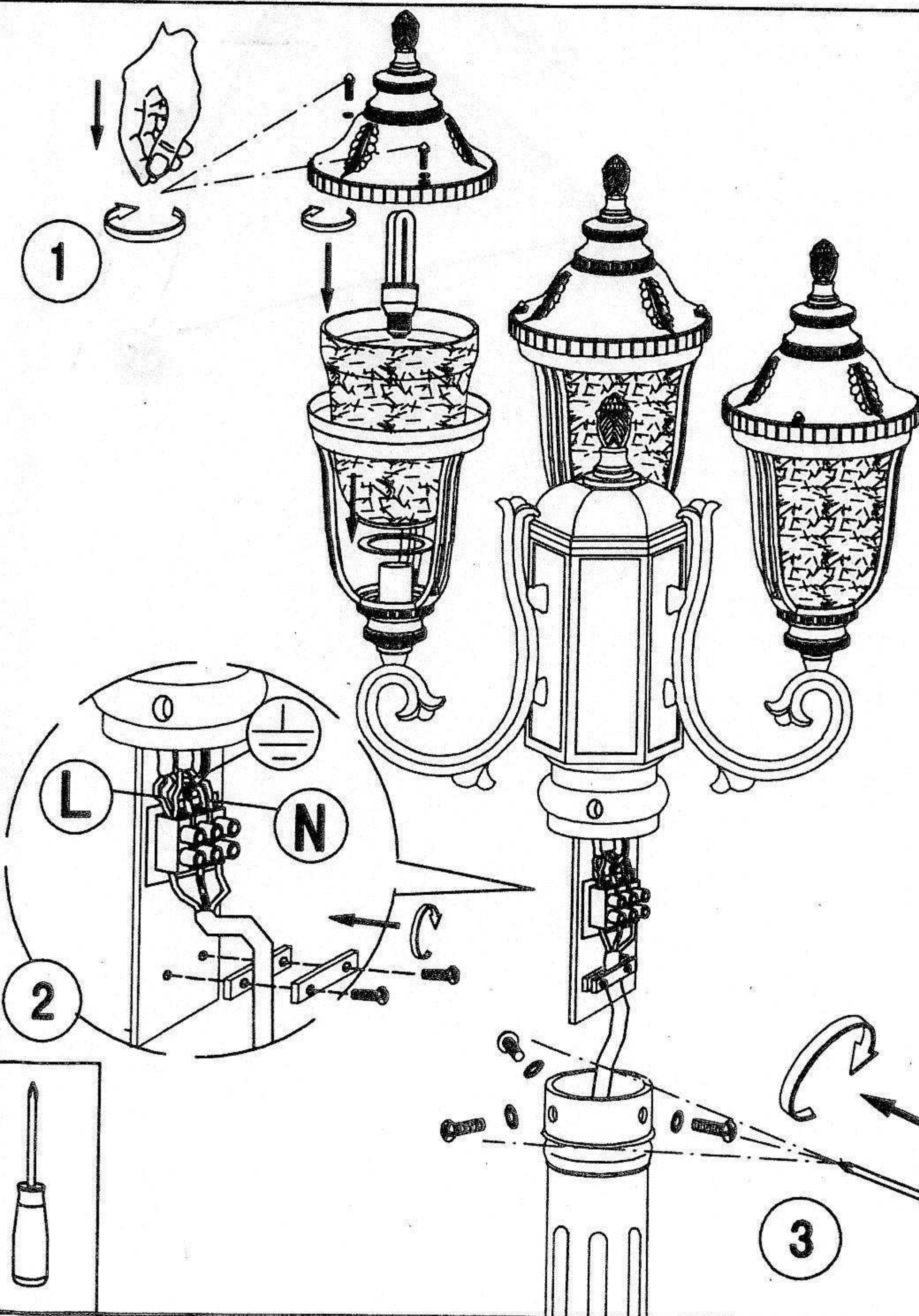
1



3



2



4

