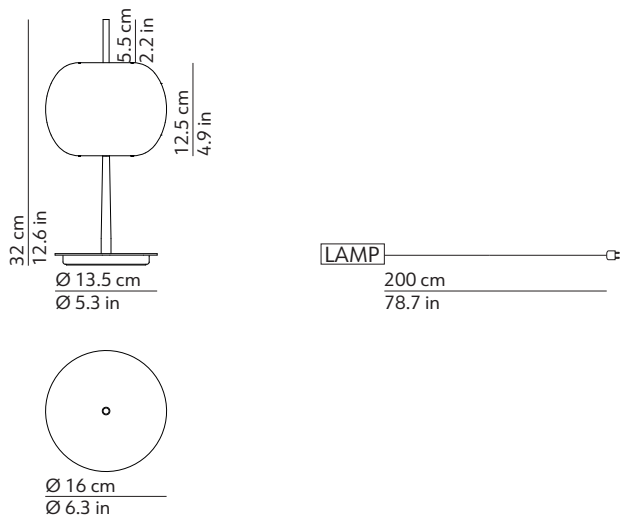




TECHNICAL DRAWINGS



CODES

K216105N	black
K216105O	brass
K216105R	copper

TECHNICAL DATA

Light source type	Board LED
Lamp power	1 x 7 W
Source luminous flux	840 lm
Color temperature	from 1800 to 3000 K
CRI	>90
Feeding	100-240 V
Dimmer	Yes

PRODUCT INFORMATION

Installation	Table
Net weight	1.80 kg / 3.96 lbs

Structure

Colour	Black RAL9005
Finish	Matte
Material	Coated metal

Colour	Brass or copper
Finish	Shiny
Material	Plated metal

Diffuser

Colour	White
Finish	Matte
Material	Two layers of mouth blown glass

Cable

Colour	Black
Material	PVC

Switch and dimmer

Colour	Black or brass or copper
Material	Metal
Position	Integrated in the rod
Dimmer type	3 steps 0-100%
Tunable white	Linear

PACKAGING

Box 1	Diffuser
Dimensions L x W x H	23.5 x 23.5 x 19 cm / 9.3 x 9.3 x 7.5 in
Volume	0.010 m ³ / 0.371 ft ³
Gross weight	0.90 kg / 1.98 lbs

Box 2	Structure
Dimensions L x W x H	18 x 16.5 x 32.5 cm / 7.1 x 6.5 x 12.8 in
Volume	0.010 m ³ / 0.343 ft ³
Gross weight	1.50 kg / 3.30 lbs