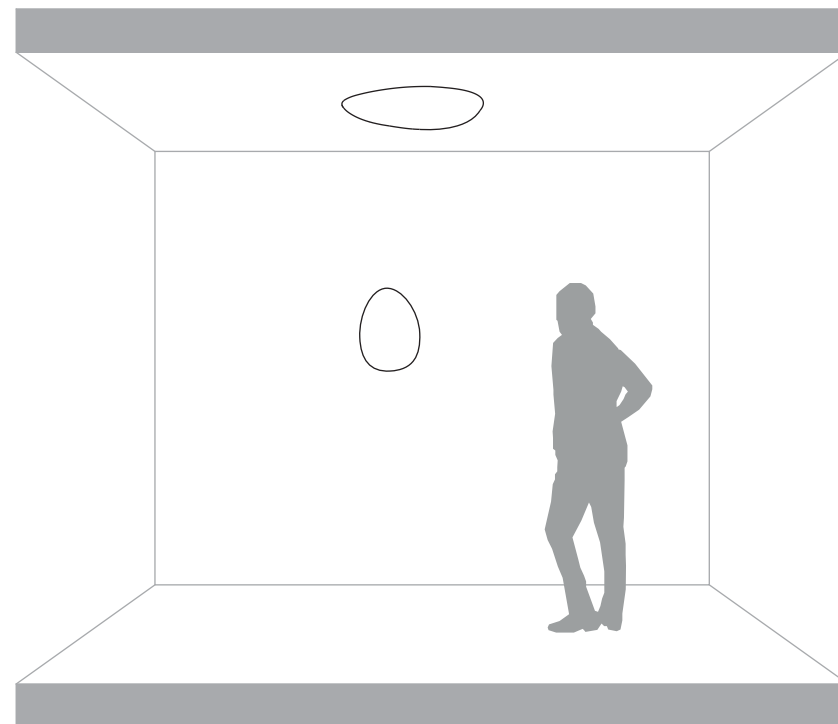


# EDEN collection "EVA"



AP103 3B INT

220-240 V.  
max 1x52W - E27

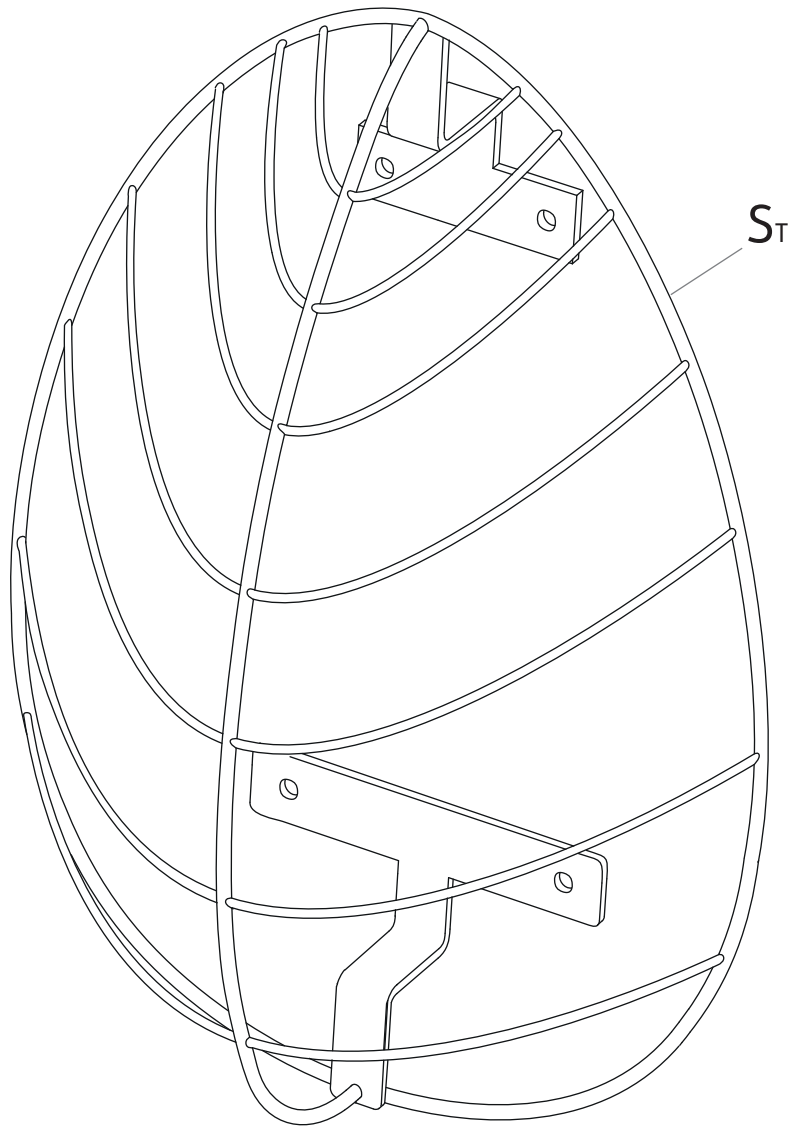


Karman srl

Via A. Grandi, San Martino del piano, 61034 Fossombrone (PU), Italy - p.iva 02175640412 tel +39 0721 71 5042 r.a fax +39 0721 716640 - [www.karmanitalia.it](http://www.karmanitalia.it)



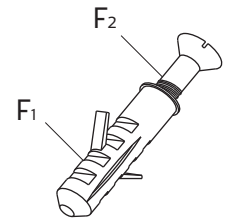
# C - 01



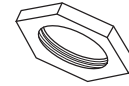
2x **r**



6x **F**



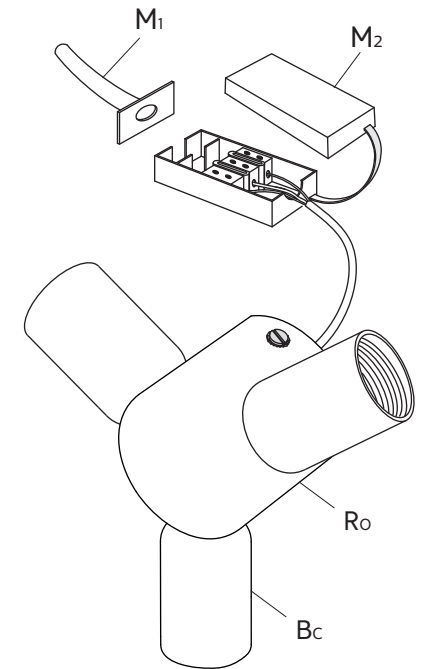
1x **D**



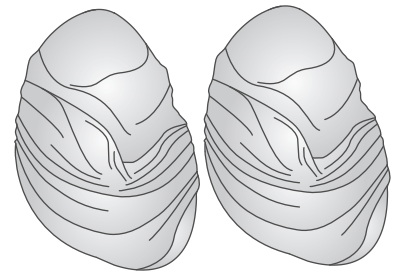
1x **G**

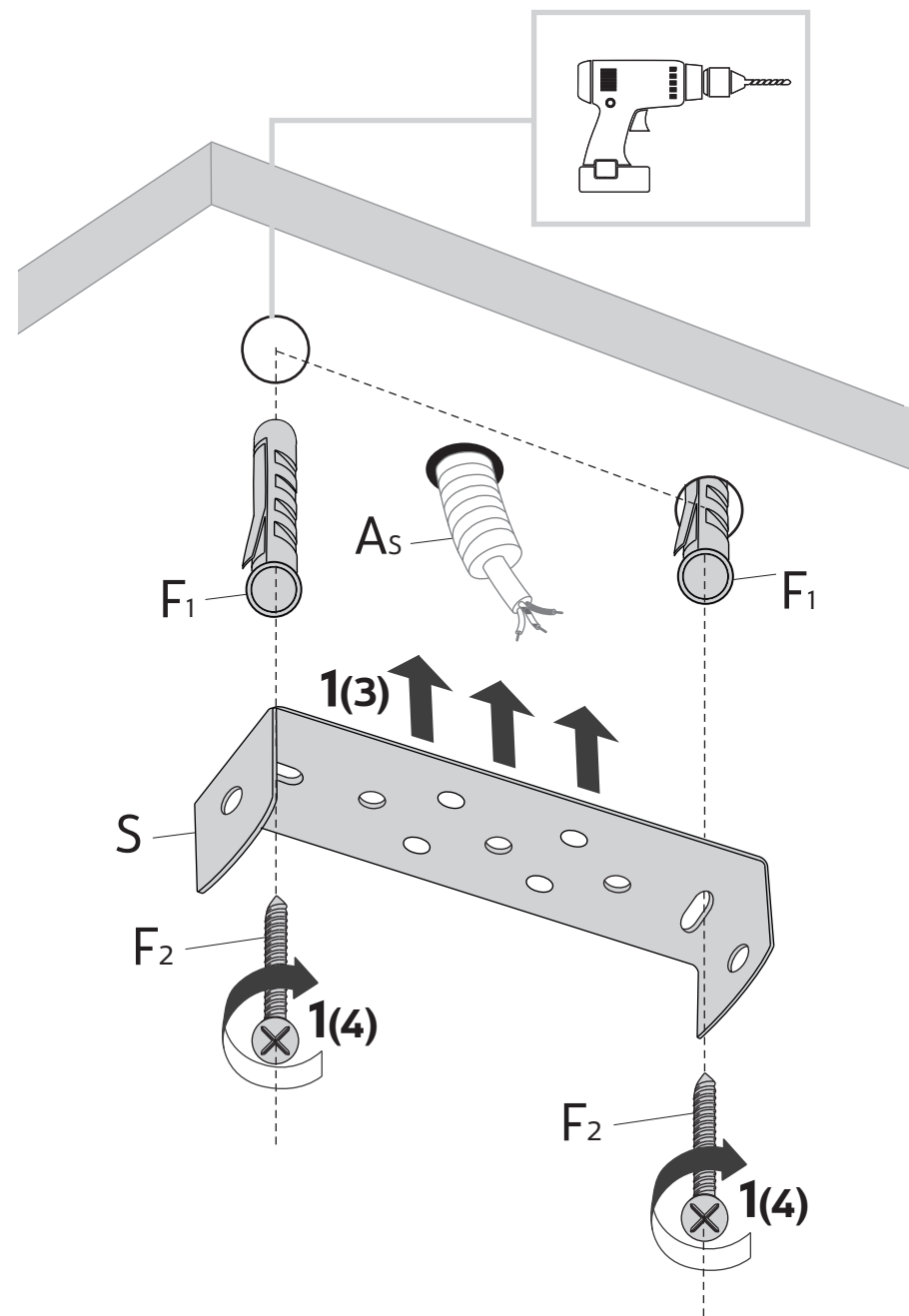
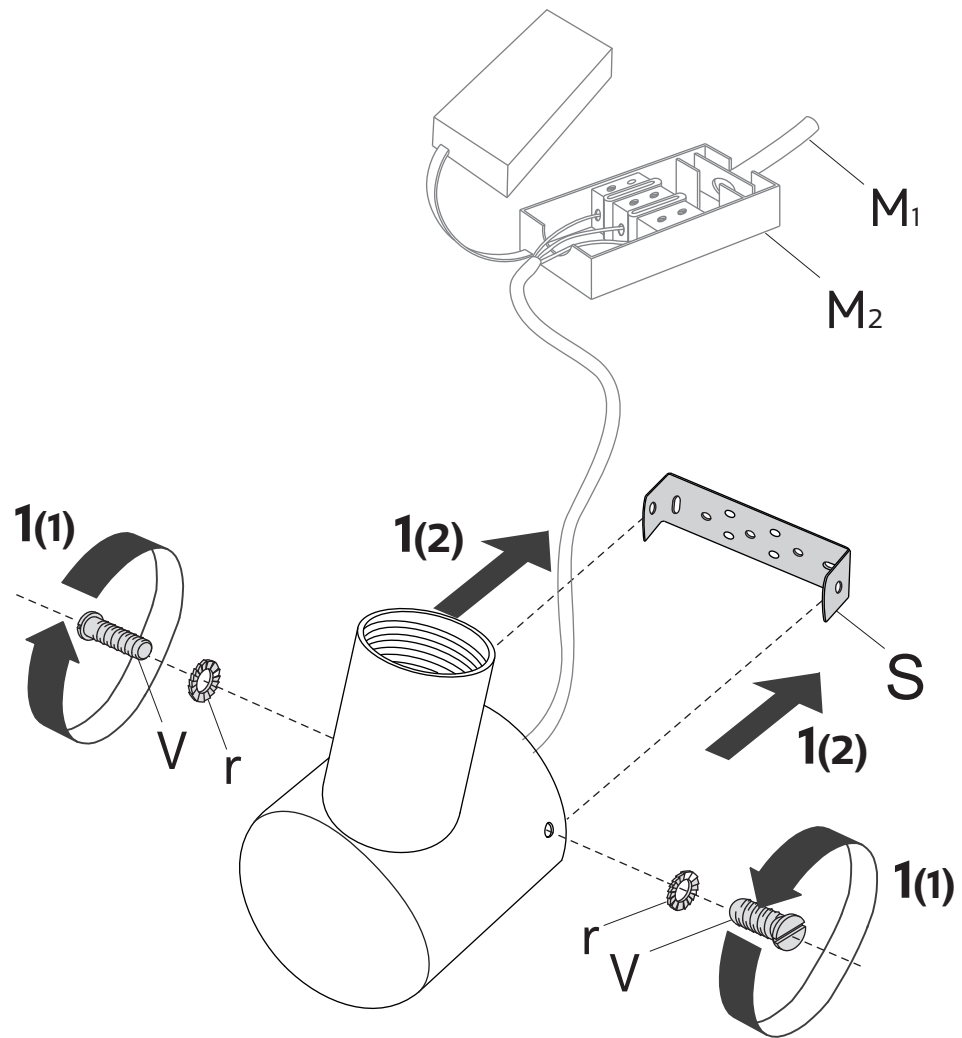


1x **N**

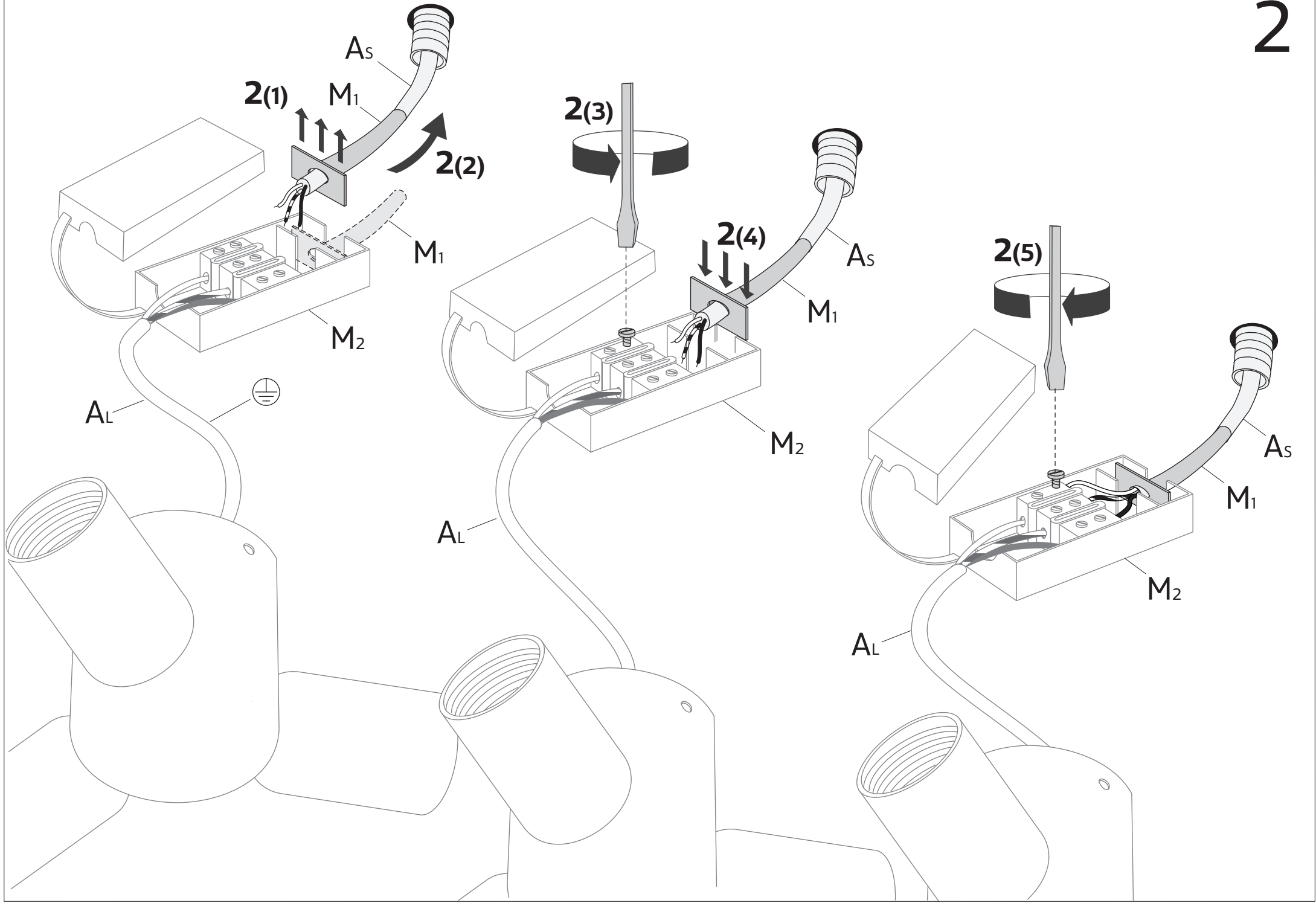


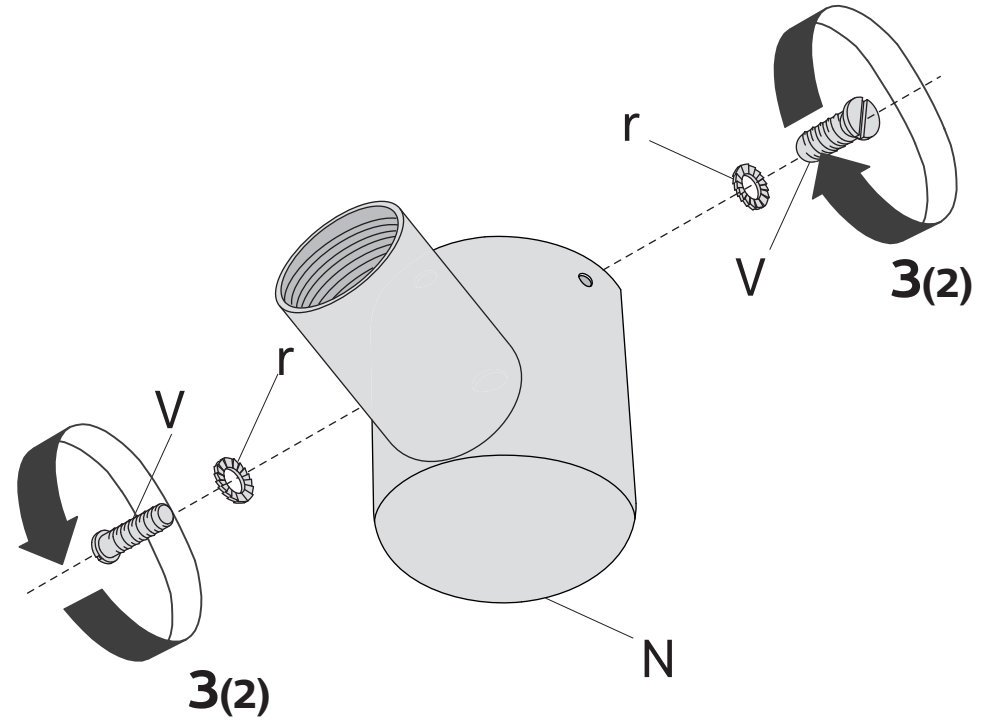
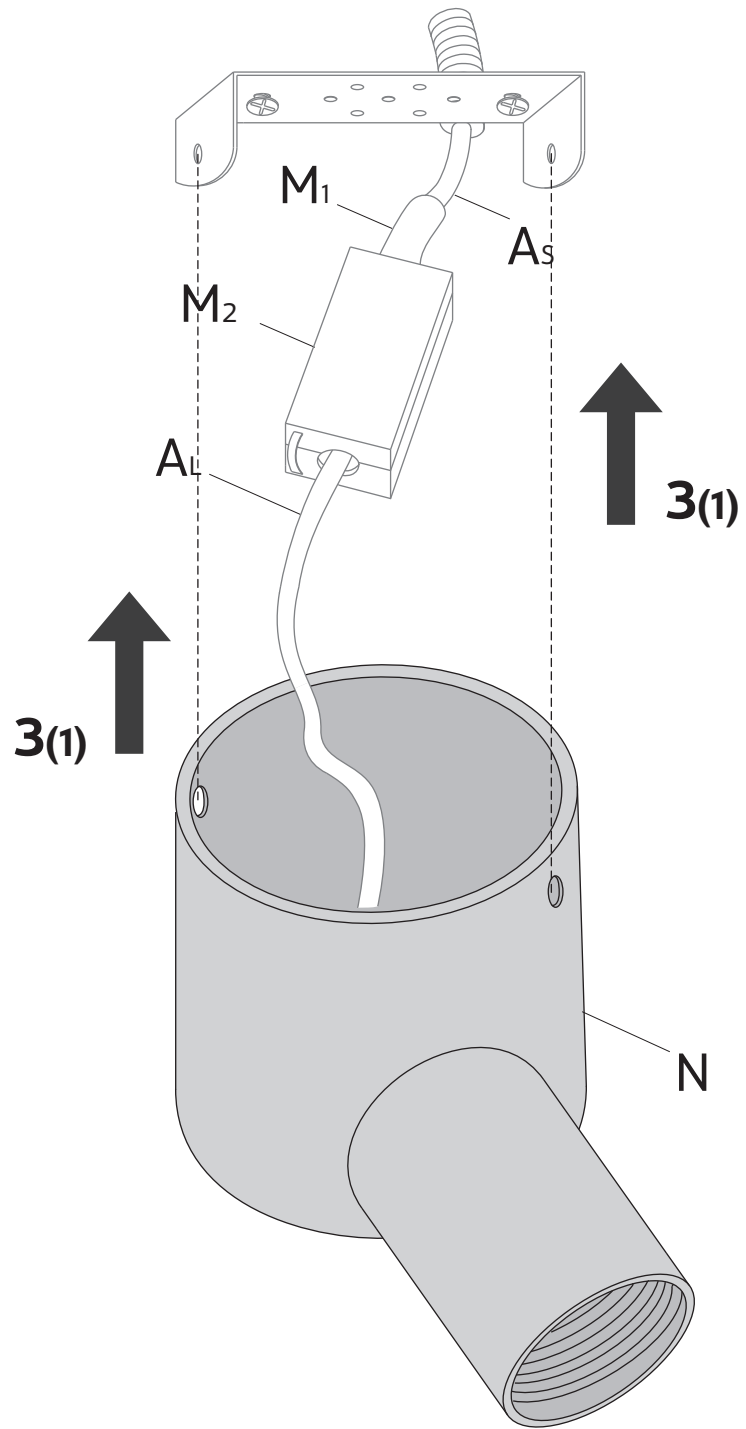
2x **Cu**

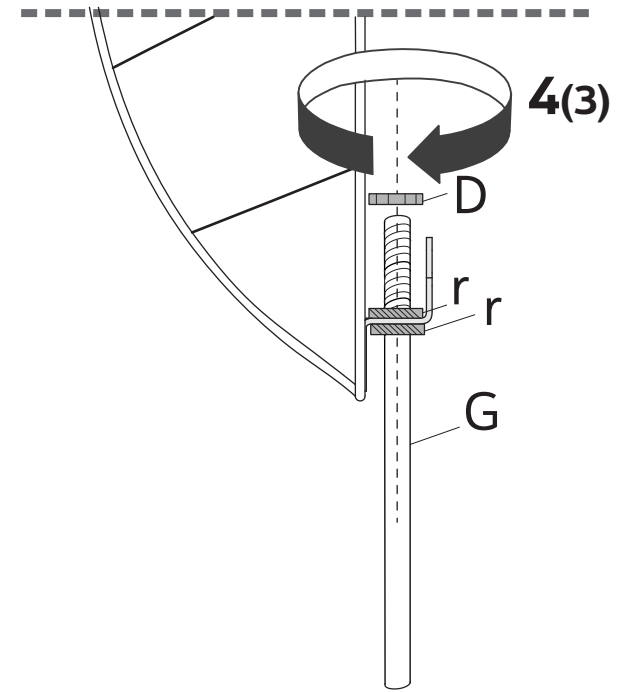
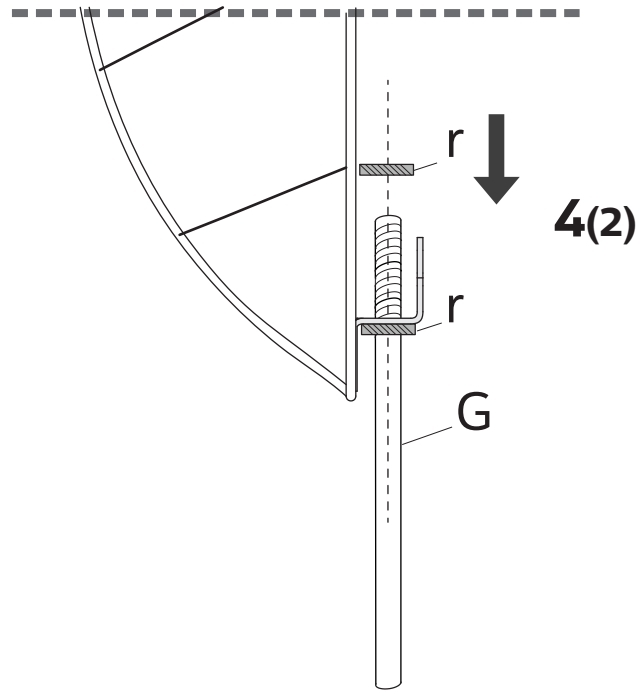
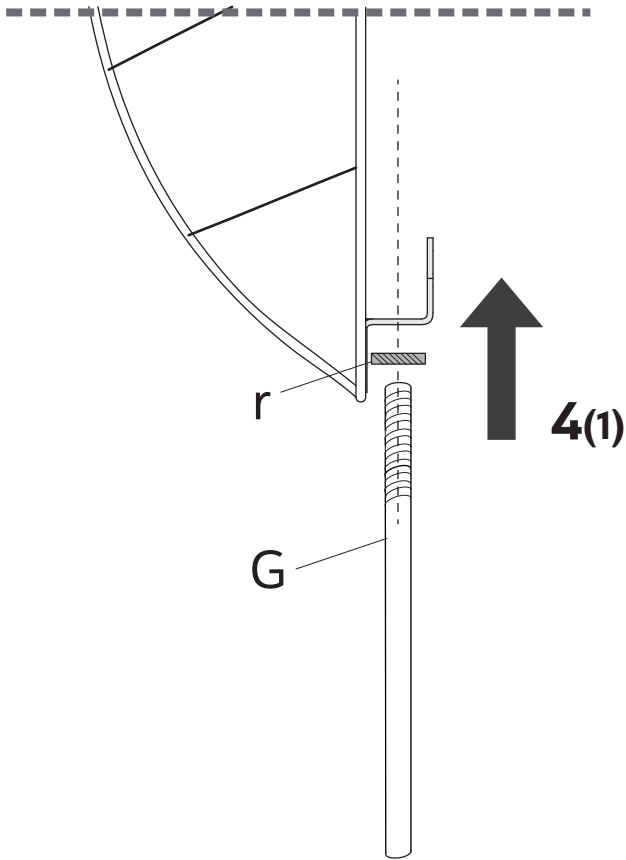
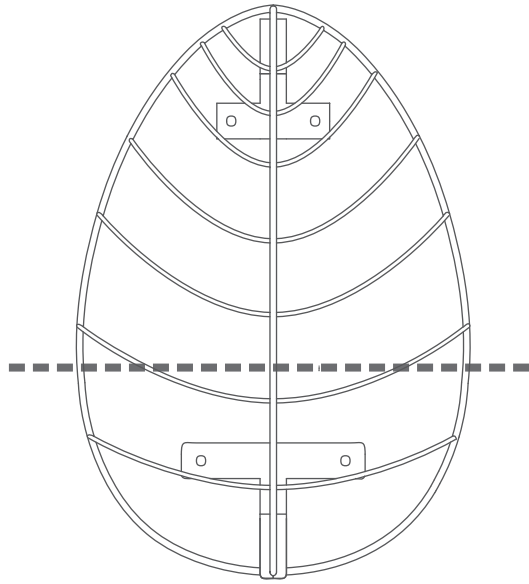


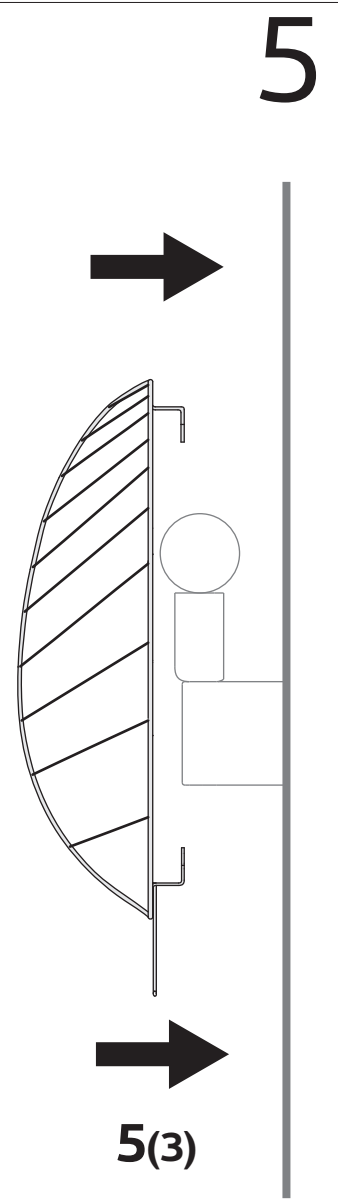
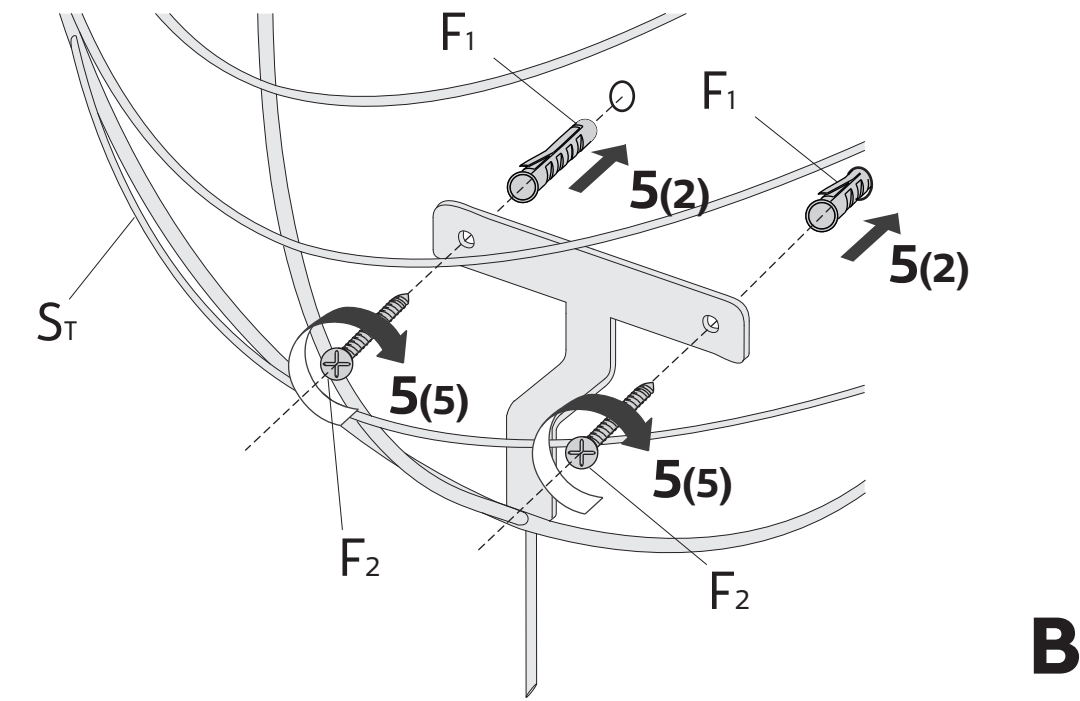
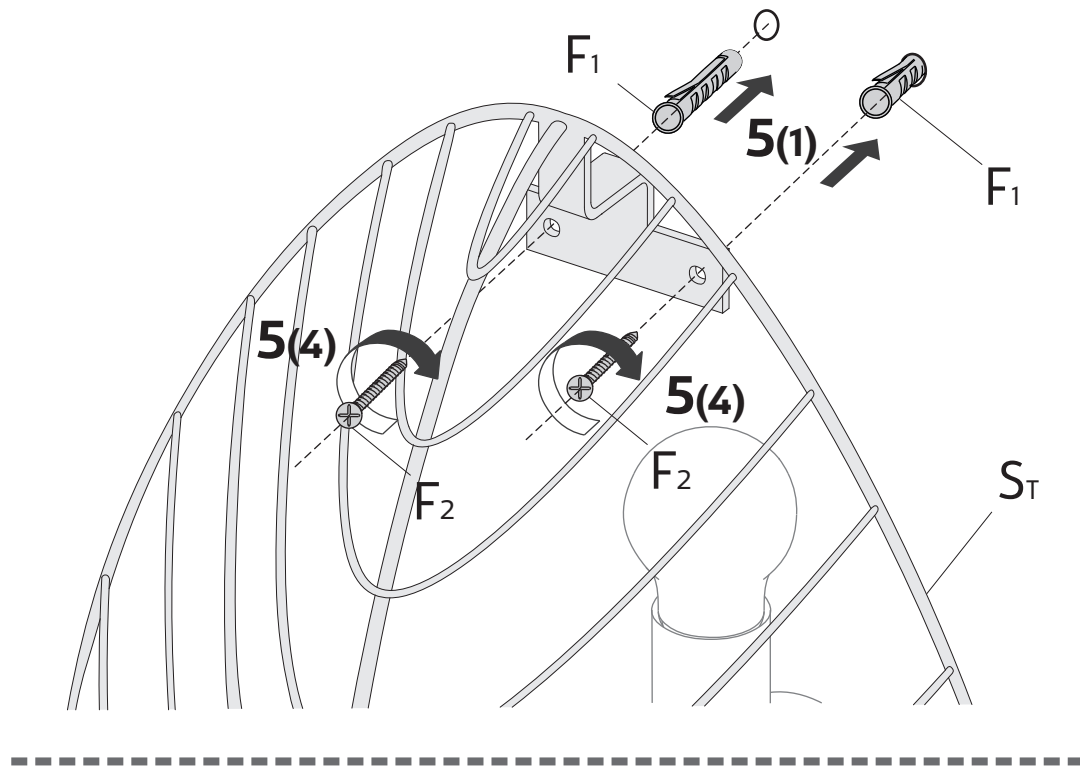
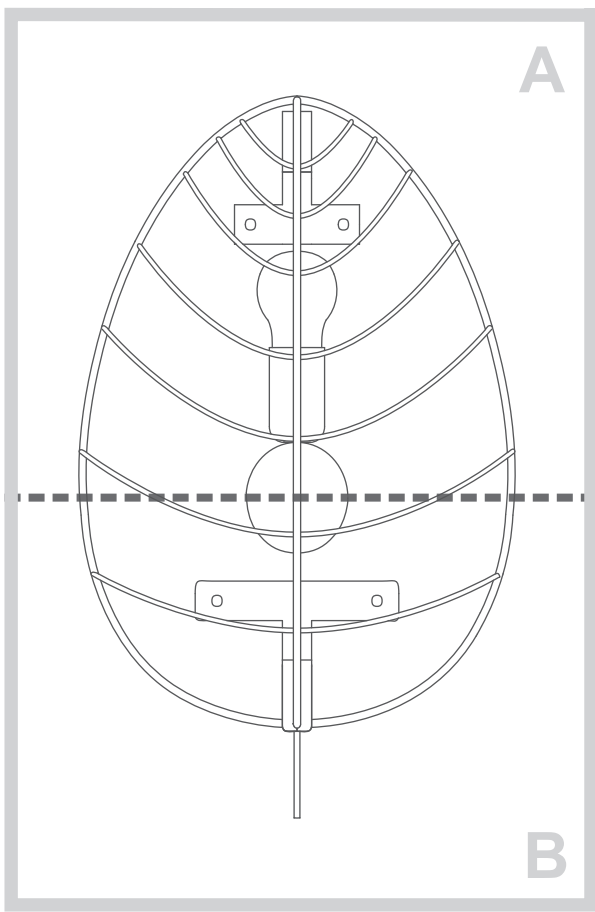


1

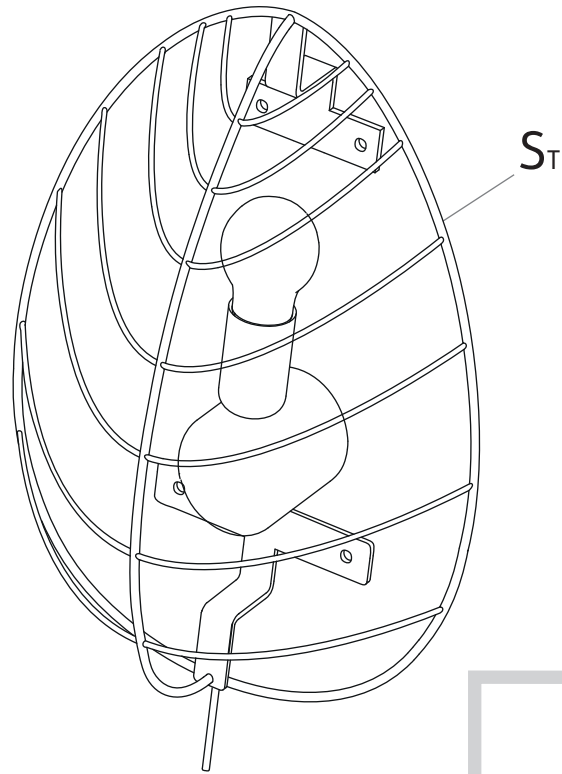
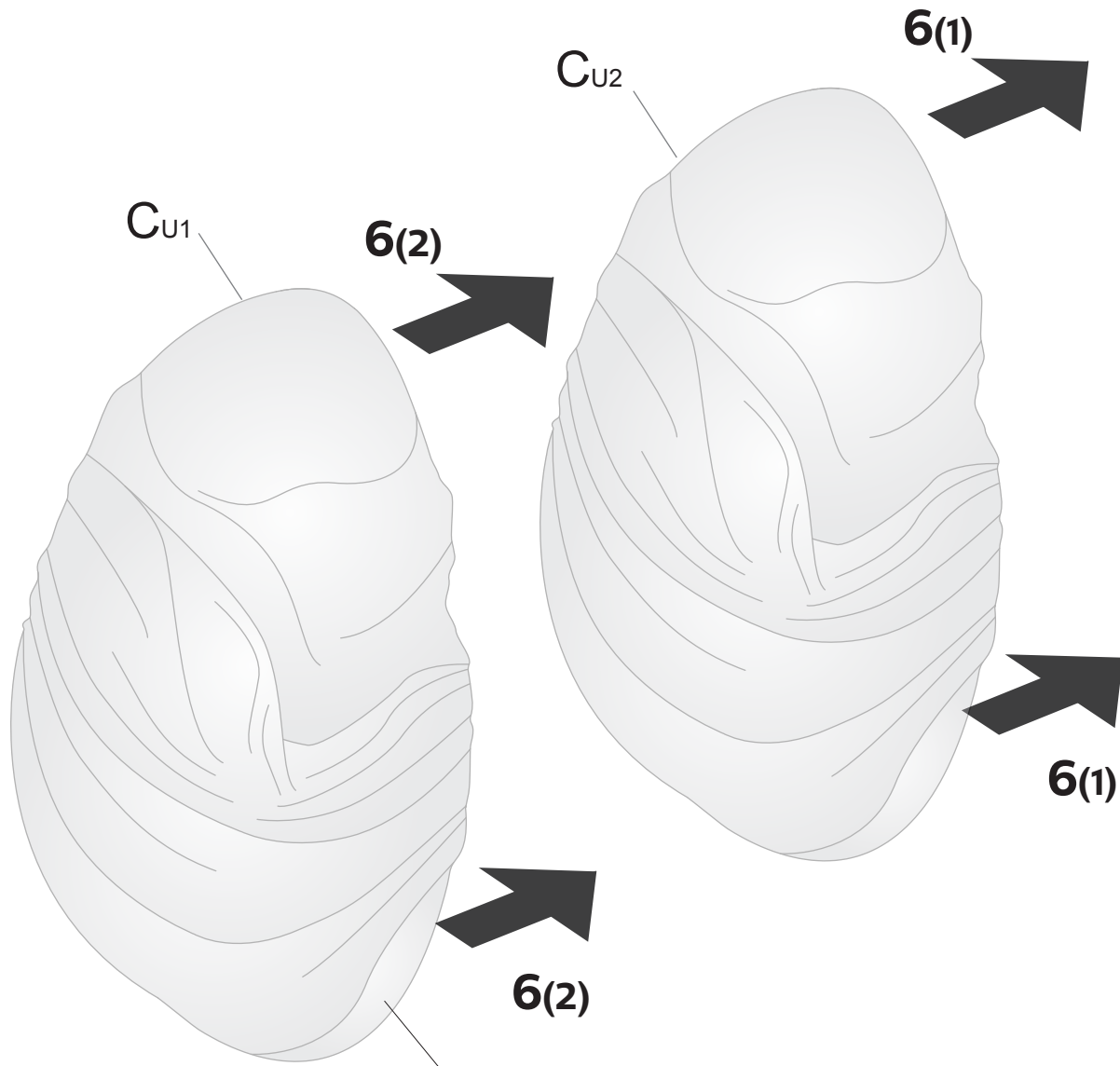












Lavare con acqua fredda  
wash with cold water