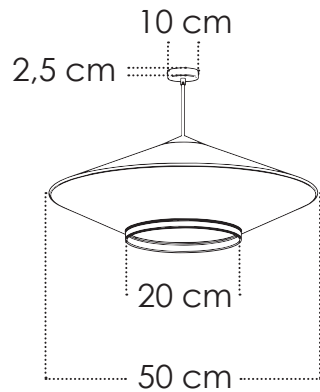
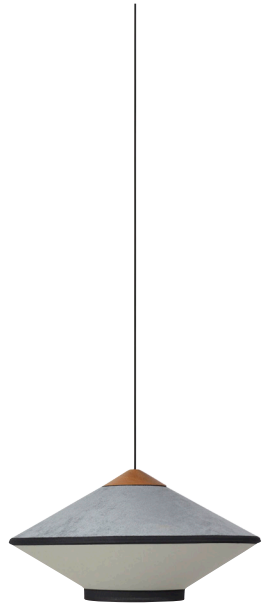


CYMBAL JETTE SCHEIB



CYMBAL PENDANT LAMP S Ø50CM

REFERENCE	21202 ●	21205 ●	
REFERENCE	21203 ●	21206 ●	21208 ●
REFERENCE	21204 ●	21207 ●	

DIMENSIONS

HEIGHT	26.5 cm
WIDTH	50 cm
DEPTH	50 cm
WEIGHT	1,2 kg
CANOPY	Ø 10 cm ht. 2,5cm
CABLE LENGHT	220 cm

MATERIALS

LAMPSHADE	velvet and fabric
CANOPY	metal
CABLE	textile and wood

LIGHTING

BULB	1 x E27
INCLUDED	No
LED COMPATIBLE	Yes
WATTAGE	15W max
SWITCH/DIMMER	No

COLORS

LAMPSHADE	● ● ● ● ● ● ● ●
CORD	● ● ● ● ● ● ● ●
CANOPY	● ● ● ● ● ● ● ●

PACKAGING

HEIGHT	25 cm
WIDTH	51 cm
DEPTH	51 cm
WEIGHT (WITH BOX)	2,7 kg

BOX 1

NORMS

CE	yes
IP	20
CLASS	II

