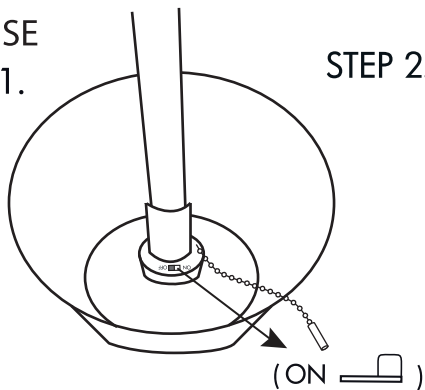


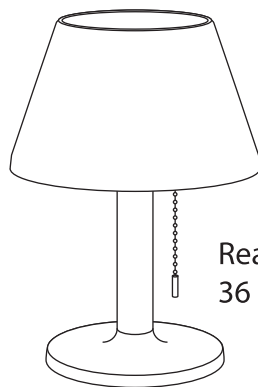
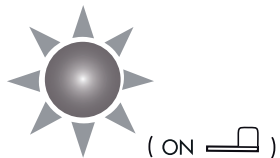
Art.no 480-87

FIRST USE

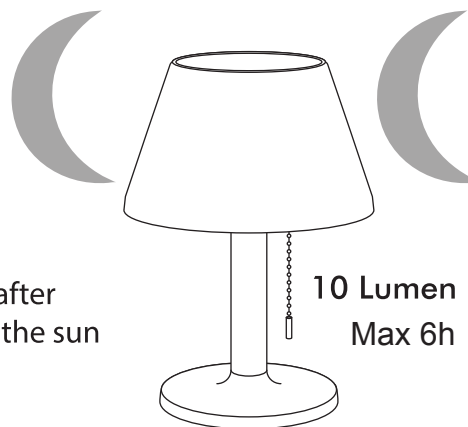
STEP 1.



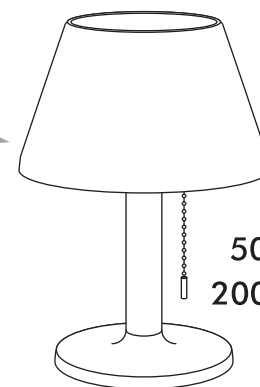
STEP 2.



Ready after
36 h in the sun

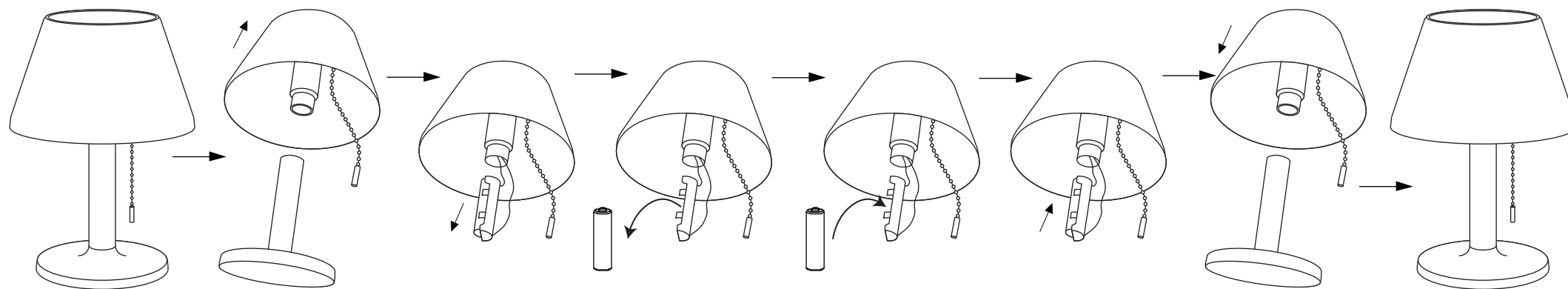


10 Lumen
Max 6h



50 Lumen ↓ Max 2h
200 Lumen ↓ Max 1h

BATTERY REPLACEMENT



STAR[®]
TRADING

STAR STREET 1
512 50 SVENLJUNGA
SWEDEN

www.startrading.com