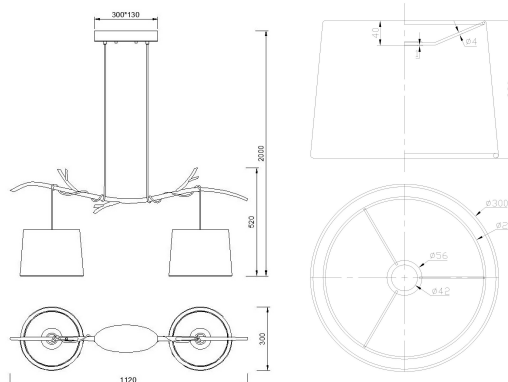


Collection: SABINA

Family: SABINA

Reference: 6177

Date: 27/11/2017



TU0625



MAIN DATA		SIZES		SHADE/GLASS	
<b>Category:</b>	Rustic Indoor	<b>Height (h):</b>	60-200 cm	<b>Shade code:</b>	TU0625
<b>Tipology:</b>	Pendant Lamp	<b>Diameter (ø):</b>		<b>Material/Finish:</b>	Fabric / Brown
<b>Description:</b>	Pendant Lamp 2 Lights	<b>Width (l):</b>	112 cm		
<b>Finish:</b>	Imitation wood	<b>Depth (w):</b>	30 cm		
<b>Material:</b>	Iron / Fabric				
<b>EAN:</b>	8435153261770				
<b>Color/Length wire:</b>	Linen/2m				

APPLICATIONS					
<b>Dimmable:</b>	NO	<b>Switcher type:</b>		<b>Initial colour temperature:</b>	
<b>Dimmer included:</b>	Valor no existente, consulte las opciones válidas.	<b>Adjustable high:</b>	YES	<b>Dimmer compatibility:</b>	

LAMP HOLDER	
<b>Bulb:</b>	2 * max. 40 W E27
<b>Bulb included:</b>	NO

**LOGISTIC**

<b>Total box per item:</b>	2			<b>INDIV.</b>
	<b>Box 1</b>	<b>Box 2</b>	<b>Gross weight:</b>	2,90 kg
<b>CBM Ind. Box:</b>	0,066 m <sup>3</sup>		<b>Nett weight:</b>	2,20 kg
<b>Box height (h):</b>	10 cm	32 cm		
<b>Box width (l):</b>	118 cm	32 cm		
<b>Box depth (w):</b>	28 cm	32 cm		

**INSTALLATION**

<b>Class protection:</b>	I	<b>Guarantee:</b>	2 years	<b>Charger:</b>	
<b>Input:</b>	220-240V~ 50/60Hz	<b>ERP:</b>	E -> A++	<b>Bluetooth:</b>	NO
<b>Beam angle:</b>		<b>IP Protection:</b>	IP20	<b>Speaker:</b>	
<b>Cut hole:</b>		<b>CRI:</b>	>=		

**VARIOUS**

<b>CE Certification:</b>		<b>Recycling Tax:</b>	04043E
<b>HS Code:</b>	94051098/90	<b>Designer:</b>	José Ignacio Ballester