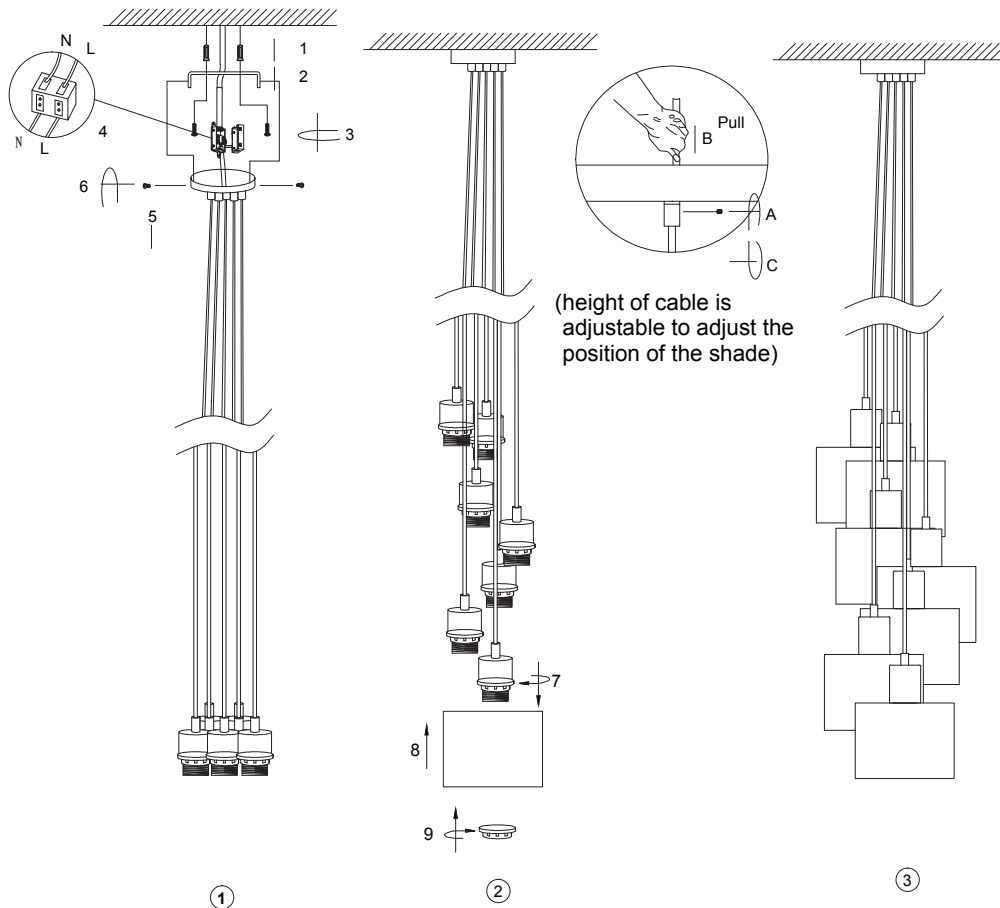


Hanging system for 7 lamps



Important Notice:

If the electricity cables are too long and you would like to make them shorter (by cutting the electricity cables) then always make sure a professional electrician is doing the job. An electrician has to connect all the electricity wires together before connecting the lamp to your electricity network.

ITEM NO.:GM0020-H7-WB
SIZE:163CM H MAX
MAX:7X40W/E27,7X8W CFL



♥ THANK YOU FOR BUYING THIS SUSTAINABLE LAMP ♥ FOR EVERY LAMP YOU BUY, WE DONATE TO THE WAKAWAKA FOUNDATION ♥ THEY PROVIDE SOLAR LAMPS TO PEOPLE IN NEED OF LIGHT ♥
 ♥ READ MORE ABOUT THE GOOD WORK OF WAKAWAKA AT ♥

WWW.GOODANDMOJO.NL