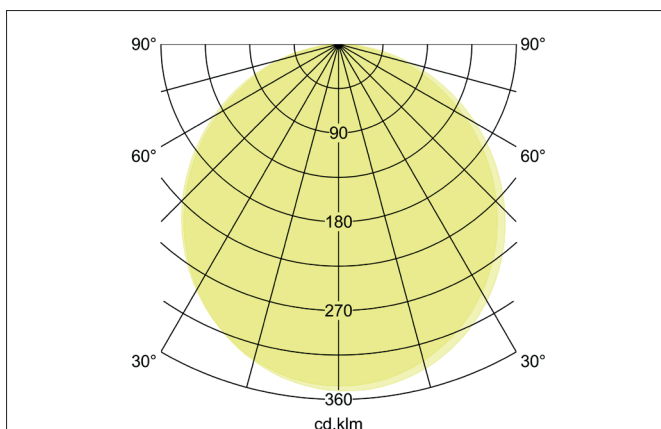
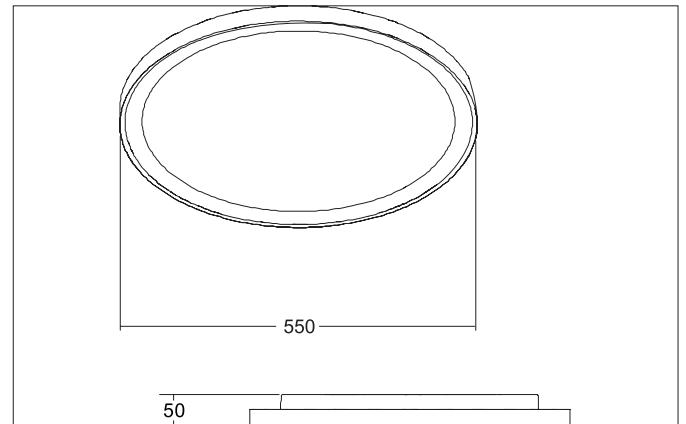


SUNNY MAXI LED ceiling surface mounted downlight, trailing-edge**phase dimmable**

Article no. 12214073

Light.
For Generations.**Tender**

LED ceiling surface mounted downlight, trailing-edge phase dimmable, white, Round. Surface mounting, Ceiling-mounted Light emission directly and indirectly. Mounting method: Surface mounting, Place of installation: Ceiling-mounted, Material: Aluminium / Steel / Polystyrene, Degree of protection: according to DIN EN 60529 IP20, Protection class: (EN 61140) I, Voltage: 230V AC 50Hz, Power: 50 W, Amount of light sources / fittings: 1 Qty, Luminous flux : 4.400 lm, Colour temperature: from 3.000 K up to 6.000 K, Beam angle: 110°, Adjustability: Not adjustable, With control gear: Yes, Dimmable: Yes, Control: Trailing-edge phase.

Article data	
Article no.	12214073
GTIN	4251433957942
Series name	SUNNY MAXI
Short description	LED ceiling surface mounted downlight, trailing-edge phase dimmable
Material	Aluminium / Steel / Polystyrene
Colour	White
Type of surface	Matt
Shape	Round
Outer diameter	550 mm
Height	50 mm
Scope of delivery	incl. converter for connection to 230 V mains voltage, dimmable and incl. adjustable color temperature to 3000 K, 4000 K or 6000 K (switching on the housing or via wall-mounted switch via bottom switch function). Optional accessories: Color ring set for the indirect part in the colors red, blue and amber, as well as a pendulum set 1,500 mm.
Weight	3.303 kg

SUNNY MAXI LED ceiling surface mounted downlight, trailing-edge**phase dimmable**

Article no. 12214073

Light.
For Generations.

Lighting technology	
Colour temperature	3.000 K / 4.000 K / 6.000 K
Light colour	White
Farbtemperatur 1	3,000 K
Farbtemperatur 2	4,000 K
Farbtemperatur 3	6,000 K
Light output	Direct/Indirect
Luminous flux	4,400 lm/m
Lichtstrom 1	4,400 lm/m
System efficiency	88 lm/W
Colour rendering	CRI > 80
Reflector	Without
Beam angle	110°
Glare evaluation	UGR < 25
Light sharing	Symmetric
Adjustable color temperature	Stages

Operating technology of the luminaire	
System output	50 W
Voltage type	AC
AC nominal voltage max	230 V
Frequenz max.	50 Hz
Lamp	LED
Protection class	I
Degree of protection	IP20
Dimmable	Yes
Control	Trailing-edge phase
Bulb change possible	Yes
Rated life time L70/B50 at 25 °C	50000 h

Mounting technology	
Mounting method	Surface mounting
Place of installation	Ceiling-mounted
Adjustability	Not adjustable
Impact resistance	IK04
Material cover	Plastic, opal

Packing data	
Gross weight	4.026 kg
Length of packaging	580 mm
Packaging width	575 mm
Packaging height	58 mm
Disposal at end of life	This product must not be disposed of with household waste. You are obliged, to dispose of such electrical waste separately. By disposing of electrical waste and other old or defective electronics separately, you support recycling or other forms of re-use. In that way you help to take care and to avoid that harmful substances get into the environment.

SUNNY MAXI LED ceiling surface mounted downlight, trailing-edge**phase dimmable**

Article no. 12214073

Light.
For Generations.

Accessories	
	Article no.: 8 102 1406 Color ring set for surface downlight 12214.. / 12260..
	Article no.: 8 102 1408 Color ring set for surface downlight 12214.. / 12260..
	Article no.: 8 102 1409 Color ring set for surface downlight 12214.. / 12260..
	Article no.: 8 101 8070 Pendant set for surface-mounted downlight 12208073 / 12209073 Dimensions: 150 mm x 26 mm
	Article no.: 8 101 8080 Pendant set for surface-mounted downlight 12208073 / 12209073 Dimensions: 150 mm x 26 mm