



CARE INSTRUCTIONS

Daily cleaning can be done by wiping the frame with a clean dry cloth. Should the surface need more attention this can be cleaned with water and a light detergent or soap applied with a damp cloth. Wipe after with a clean dry cloth. Avoid any abrasive materials.

TROUBLESHOOTING

If lamp does not light, turn off the power. Check the bulb for a broken filament. Replace bulb if necessary, then turn it on. If the lamp still does not light, please contact customer service at the local dealer. If the external flexible cable or cord of this lamp is damaged, it must be replaced by a qualified electrician in order to avoid a hazard.

TECHNICAL INFORMATION

Light sources: E27, 810 Lumen (6-10W LED).
Turn power off when changing light bulb. Isolation class III.
The lamp is approved for outdoor use and in damp/wet rooms (IP65)



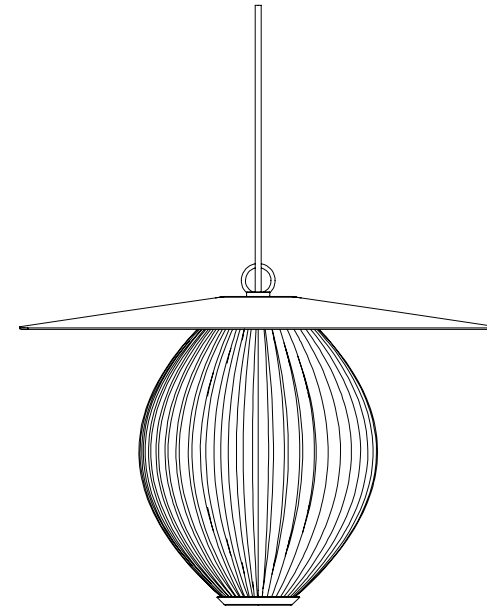
For enquiries contact GUBI A/S - CVR: 17940384
Klubiensvej 7-9. 2150 Nordhavn. Copenhagen, Denmark
T +45 69 15 60 60 – order@gubi.com
GUBI.COM

GUBI

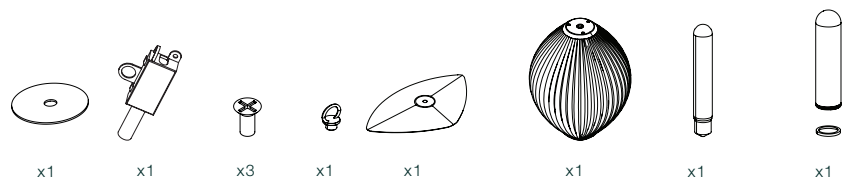
ASSEMBLY INSTRUCTIONS

for

SATELLITE PENDANT OUTDOOR

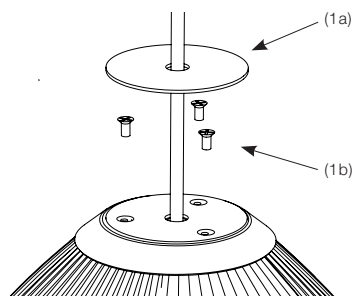


CONTENTS



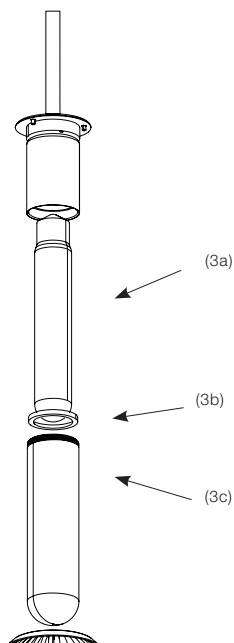
1.

Access the socket by removing the rubber disc (1a). Unscrew the 3 screws to access the socket (1b).



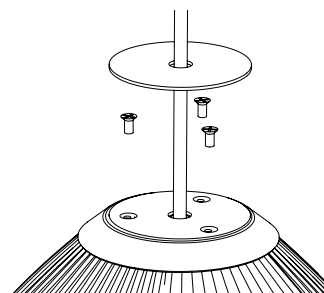
2.

Insert lightbulb (3a), silicone stopper (3b) and transparent plastic cover (3c). Make sure that all 3 parts are installed properly.



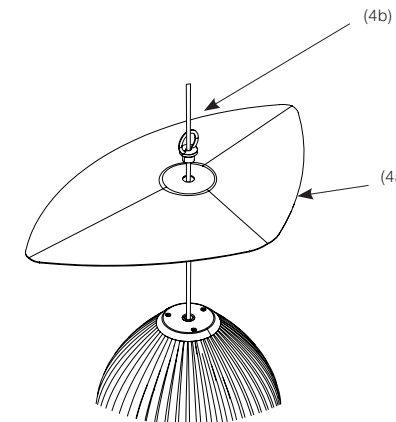
3.

Re-assemble the lamp by following step 1 in reverse.



4.

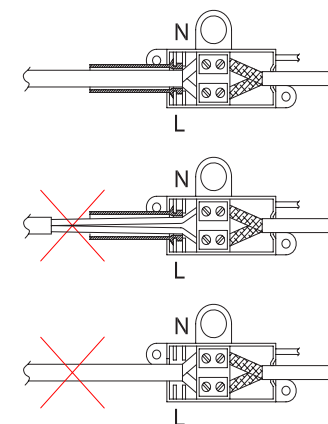
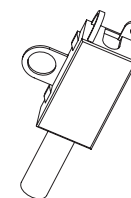
Assemble the top part by placing the hat (4a) on top of the shade and attach with the screw (4b). Make sure it's properly tightened.



5.

Connect the lamp wires to the supply wires.

- Open connection box pushing the pins white pulling the lid.
- Connect mains wire and lamp wire in the screw terminal.
- Close connection box and place inside the canopy.



6.

- If the external flexible cable or cord of this luminaire is damaged, it shall be exclusively replaced by the manufacturer or his service agent or a similar qualified person in order to avoid a hazard.
- Only to be installed outside arm's reach.