



CARE INSTRUCTIONS

Wipe the parts with a damp cloth soaked in warm water and a bit of mild detergent. Use only soft cloth for wiping and polishing, never sponges or steel wool. Do not use abrasive household cleaners. Do not use acidic or alkaline cleaning materials, glass cleaner or household ammonia.

TROUBLESHOOTING

If lamp does not light, turn off the power. Check the bulb for a broken filament. Replace bulb if necessary, then turn it on. If the lamp still does not light, please contact customer service at the local dealer. If the external flexible cable or cord of this lamp is damaged, it must be replaced by a qualified electrician in order to avoid a hazard.

TECHNICAL INFORMATION

Light sources: 2 X E27, Max. 6W LED, 470 Lumen. Turn power off when changing light bulb. Isolation class II. The lamp is not approved for outdoor use or use in damp/wet rooms (IP20).



For enquiries contact GUBI A/S - CVR: 17940384
Orientkaj 18-20. 2150 Nordhavn. Copenhagen, Denmark
T +45 69 15 60 60 – order@gubi.dk
GUBI.COM

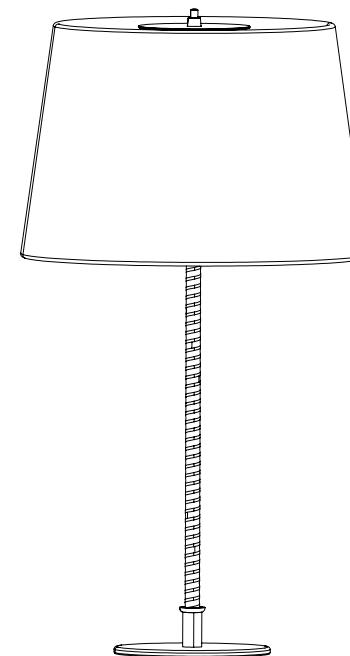
159-20-003-01 9205_Tablelamp_AssemblyInstructions_EU.

GUBI

ASSEMBLY INSTRUCTIONS

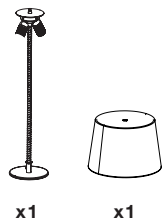
for

9205 Table Lamp



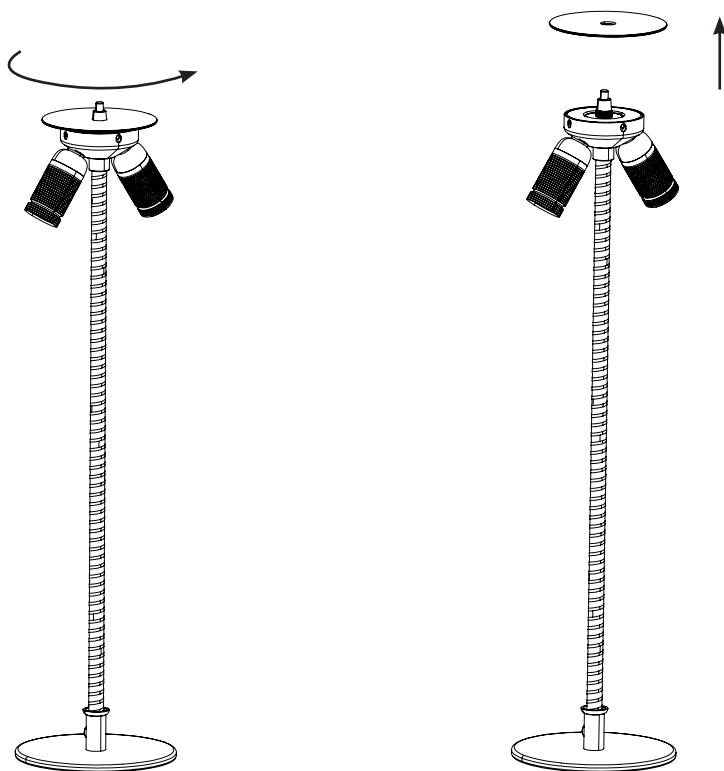
CONTENTS.

9205 TABLE LAMP



Installation.

Remove brass disc from top of lamp.



Attachment.

1.

Insert Type A bulbs in sockets.

2.

Place shade on top of stem (a), and attach brass disc on top for closure (b).

3.

Tighten brass disc clockwise until properly fastened.

