

LUCY LED IP66



EN	Installation Instructions	HR	Uputstvo za montažu	SE	Installationsanvisning
DE	Montageanleitung	NL	Montagehandleiding	RU	Инструкция по монтажу
CZ	Montážní návod	RO	Instructiuni de montaj	SRB	Instrukcija za instalaciju
DK	Monteringsvejledning	IT	Istuzioni di montaggio	SK	Montážny návod
EE	Paigaldusjuhend	LT	Montavimo Instrukcijos	SLO	Navodilo za montažo
FI	Asennusohje	LV	Instalācijas instrukcija	CN	安装说明书
FR	Notice de montage	NO	Monteringsanvisning		
HU	Szerelési útmutató	PL	Instrukcja montażu		



1. Installation and commissioning may only be carried out by authorized specialists and wired in accordance with the latest IEE electrical regulations or the national standards.

2. Mains power must be switched off before carrying out installation.

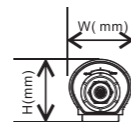
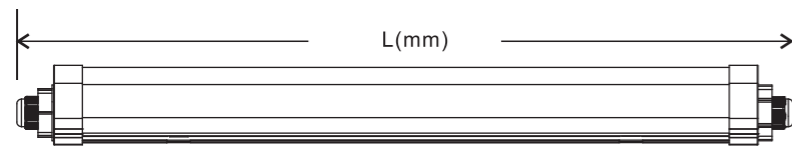
3. The manufacturer, shall not be liable for any damage resulting from inappropriate modifications to the luminaire or faulty installation.

4. Caution, risk of electric shock.

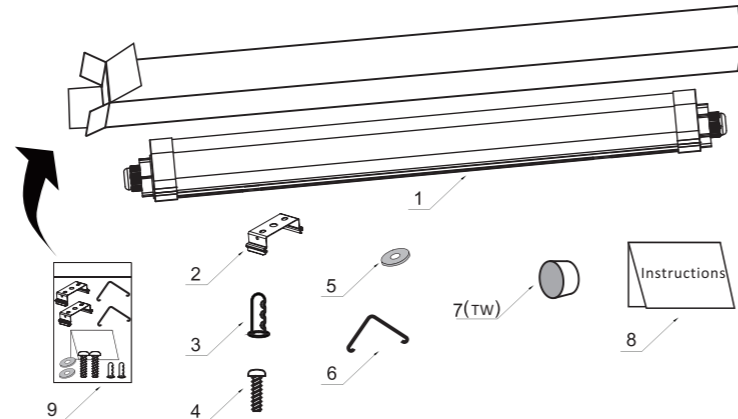


The control gear provides basic insulation between the LV supply and the control circuit

Product Description	Wattage	SAP Code	L	W	H
LUCY 600 LED IP66 2000 840 TW	20W	96630331	663	77	68
LUCY 1200 LED IP66 4000 840 TW	40W	96630332	1263	77	68
LUCY 1500 LED IP66 6000 840 TW	60W	96630333	1563	77	68
LUCY 1800 LED IP66 8000 840 TW	80W	96630334	1825	77	68



1	LED waterproof lighting	X1
2	SS hook	X2
3	plastic expansion	X2
4	Round head self-drilling screw 5x30	X2
5	Flat gasket 12x6/Center hole 6mm	X2
6	Triangle hook	X2
7(TW)	Solid plug	X1
8	Instructions	X1
9	Accessory bag	X1



LUCY LED IP66

