

theLeda S17-100L WH

Item no.: 1020602

theben

LED spotlights
LED light without motion detector

Description

- LED spotlight with 17 W
- Colour temperature 4000 K
- Wall mounting
- Spotlight can be swivelled $\pm 20/45^\circ$ horizontally, and adjusted 70° downwards
- Suitable for outdoor use
- Networkable via wire

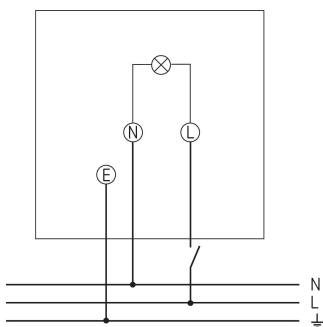


Technical data

theLeda S17-100L WH	
Operating voltage	230 V AC
Frequency	50 Hz
Stand-by consumption	~0.5 W
Colour	White (similar RAL 9010)
Switching output	Light
Installation type	Wall installation, Outdoor
LED output (lighting current)	2 x 900 lm
Colour temperature	4000 K, neutral white
Colour rendering index	< 80

theLeda S17-100L WH	
Service life	L80/B10/45.000 h L70/ B50/50.000 h
Installation height	1.8 - 2.5 m
Ambient temperature	-20°C ... 55°C
Protection class	II
Type of protection	IP 55
Predecessor	1020723, theLeda S20L WH

Connection example



Subject to technical changes and misprints

additional information at: www.theben.de/product/1020602

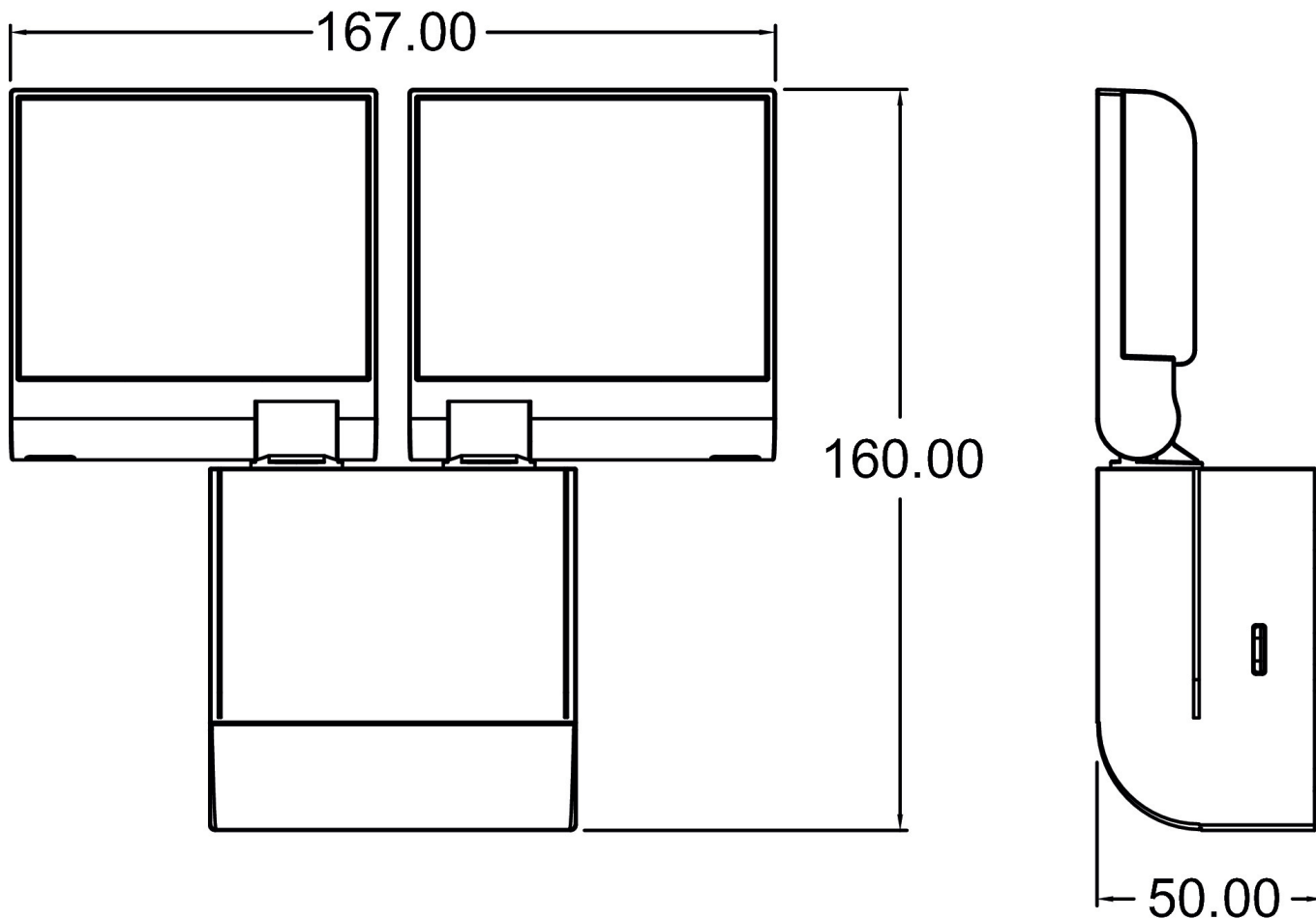
The load data are determined with exemplary selected illuminants and are therefore typical data due to the large number of available products.

theLeda S17-100L WH

Item no.: 1020602

theben

Scale drawings



Accessories

Corner angle 10 WH
Item no.: 9070969



Spacer 10 WH
Item no.: 9070971



Subject to technical changes and misprints

additional information at: www.theben.de/product/1020602

The load data are determined with exemplary selected illuminants and are therefore typical data due to the large number of available products.