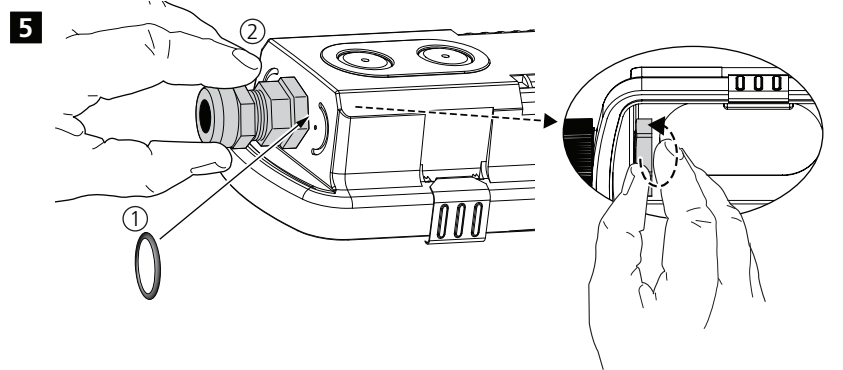
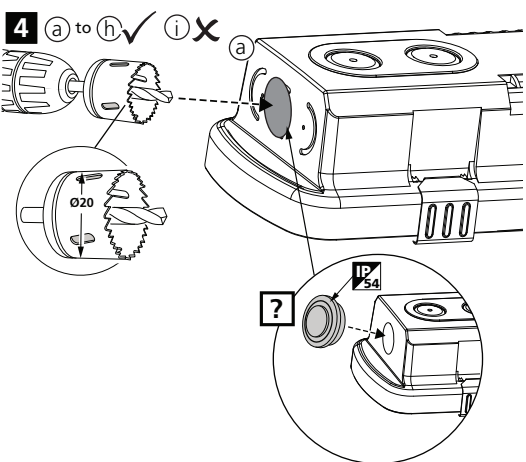
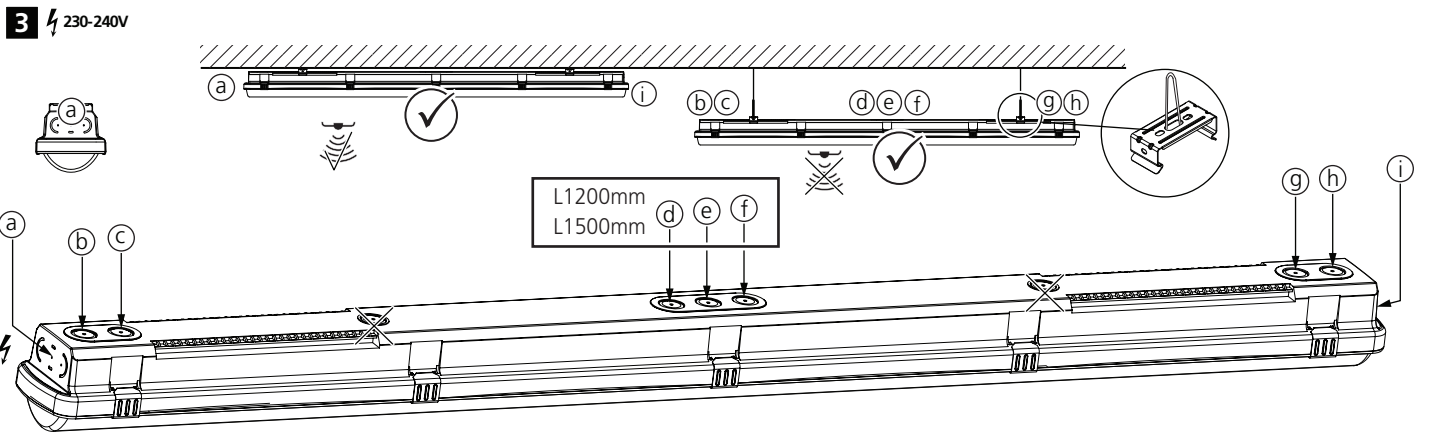
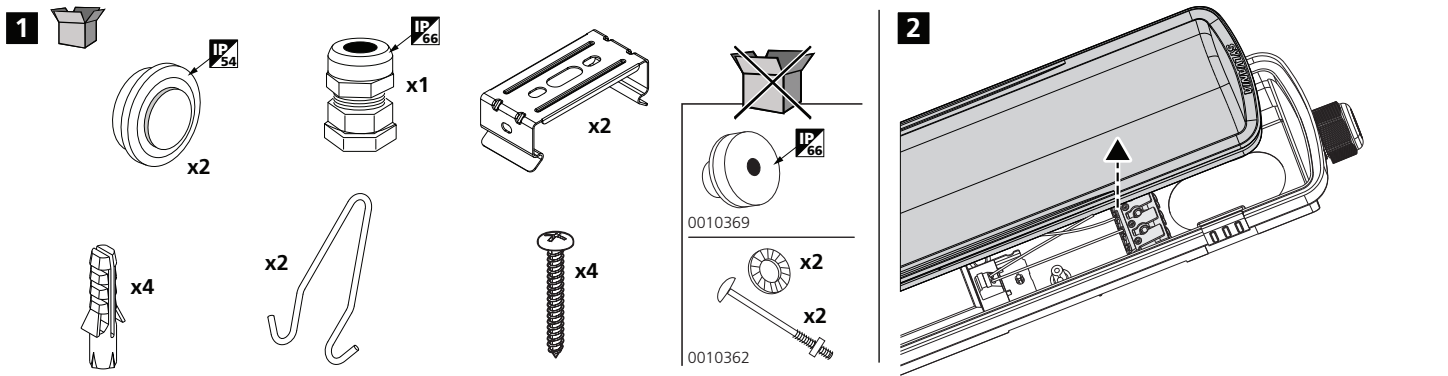
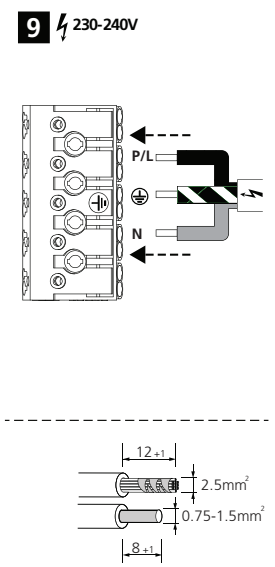
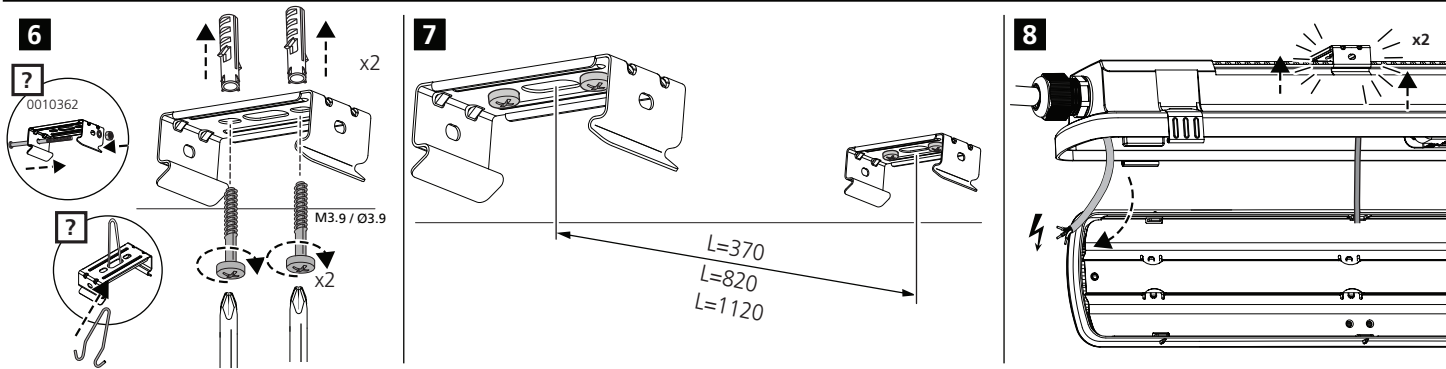


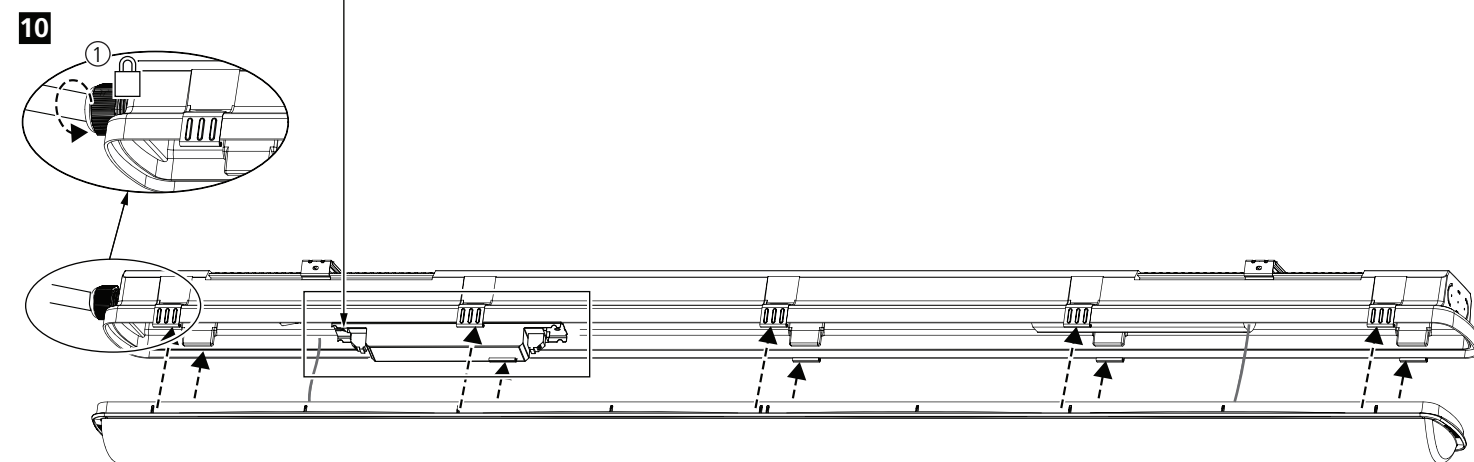
The luminaire is suitable for use in environments where an accumulation of conductive dust on the luminaire may be expected





ON

	1	2	0010326		0010327		0010328		0010329		0010330		0010331		0010332		
	○	○	lm	W	lm	W	lm	W	lm	W	lm	W	lm	W	lm	W	
I	○	○	200mA	1.425	11.0	2.900	21.0	4.850	35.0	1.425	9.5	2.750	18.5	4.050	26.5	5.500	35.0
II	○	●	250mA	1.800	14.0	3.600	26.0	6.100	43.5	1.800	11.5	3.450	22.5	5.100	32.5	6.900	43.0
III	●	○	300mA	2.150	16.5	4.350	31.5	7.300	52.5	2.150	13.5	4.100	27.5	6.100	39.5	8.300	51.5
IV	●	●	350mA	2.500	19.0	5.000	36.0	8.500	61.0	2.500	16.0	4.800	31.0	7.100	46.0	9.700	60.0



x6 - 600mm LED
 x10 - 1200mm LED
 x12 - 1500mm LED

