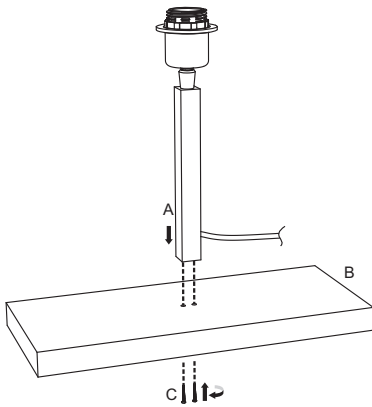
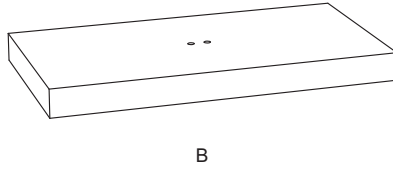
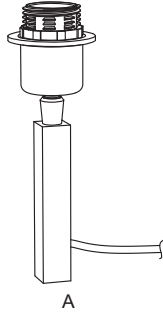
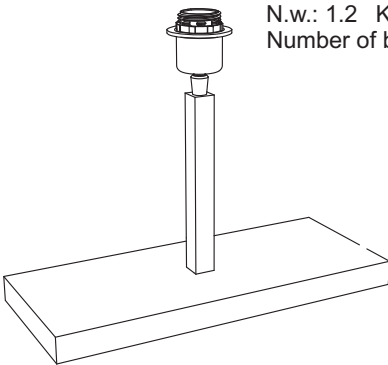


GM0061-T-N

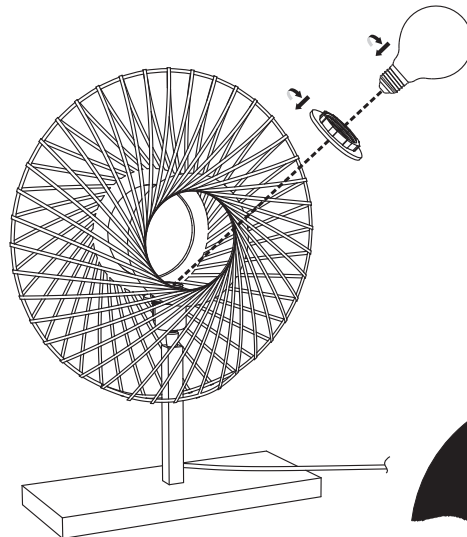
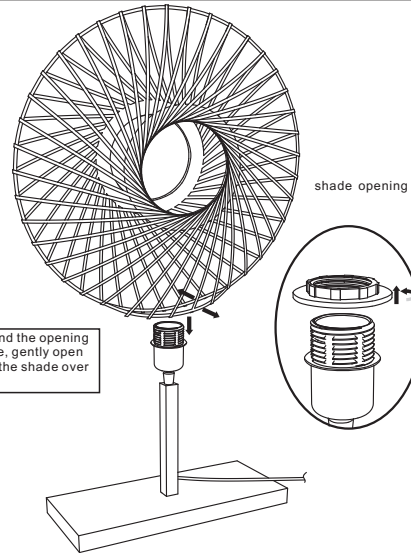


PACKING DETAILS

Box size: 17 X 11 X 38 CM
 Total cbm: 0.007 cbm
 G.w.: 1.3 KGS
 N.w.: 1.2 KGS
 Number of boxes: 1 pc



1



2



WE DONATE TO THE WAKAWAKA FOUNDATION.
 THIS FOUNDATION PROVIDES SOLAR LAMPS TO PEOPLE IN NEED OF LIGHT.
 READ MORE ABOUT THE GOOD WORK OF WAKAWAKA ON OUR SITE.
AND FOR EACH LAMP WE SELL, A TREE IS PLANTED!



THANK YOU FOR BUYING THIS SUSTAINABLE LAMP
WWW.GOODANDMOJO.NL