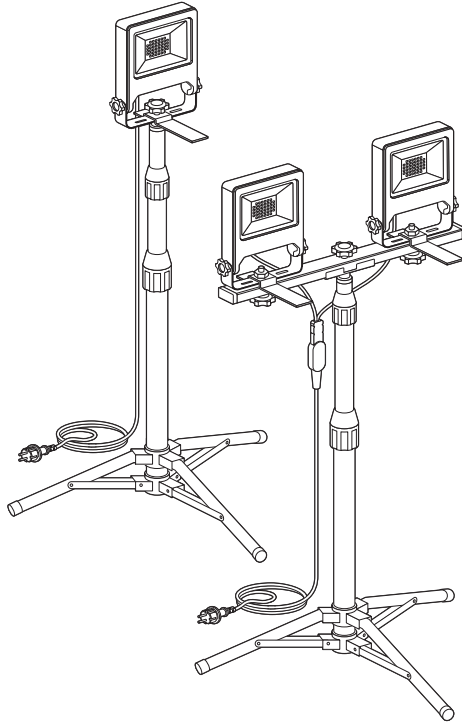

LED WORKLIGHT TRIPOD

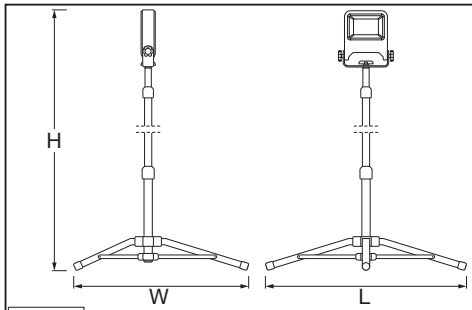
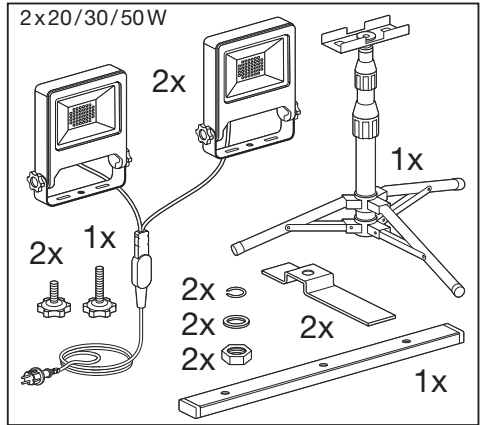
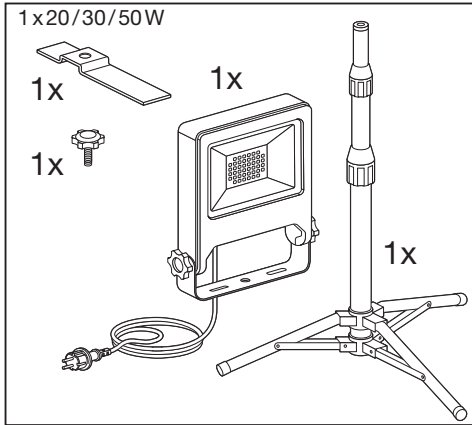


IP65

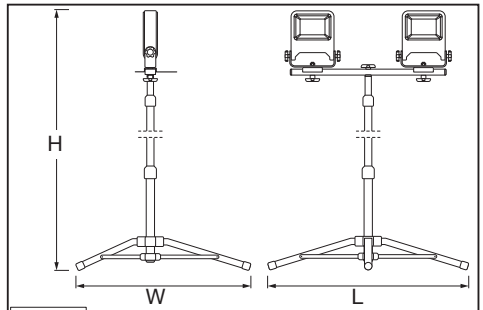
IP44

	EAN	W	lm	K	Temp (°C)	V~	mA	Hz	PF
LED WORKLIGHT 1x20W 840 TRIPOD	4058075213890	20	1700	4000	-20...+45	220-240	92	50/60	>0.9
LED WORKLIGHT 2x20W 840 TRIPOD	4058075213913	2x20	2x1700	4000	-20...+45	220-240	184	50/60	>0.9
LED WORKLIGHT 1x30W 840 TRIPOD	4058075213937	30	2700	4000	-20...+45	220-240	145	50/60	>0.9
LED WORKLIGHT 2x30W 840 TRIPOD	4058075213951	2x30	2x2700	4000	-20...+45	220-240	290	50/60	>0.9
LED WORKLIGHT 1x50W 840 TRIPOD	4058075213975	50	4500	4000	-20...+45	220-240	220	50/60	>0.9
LED WORKLIGHT 2x50W 840 TRIPOD	4058075213999	2x50	2x4500	4000	-20...+45	220-240	440	50/60	>0.9

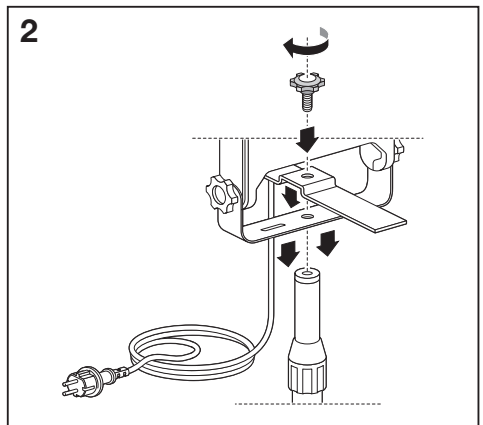
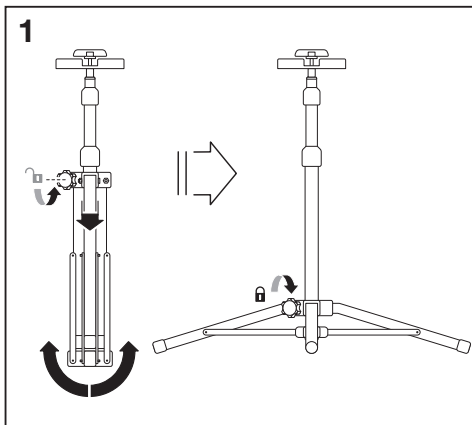
TRIPOD

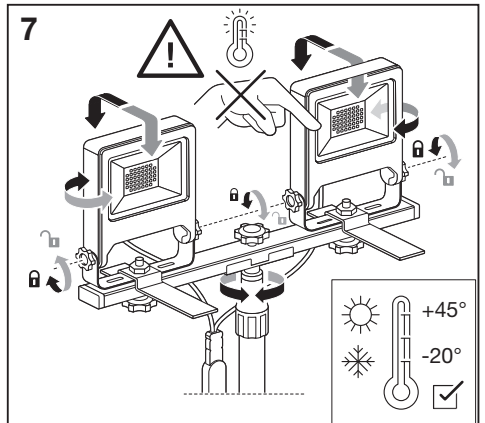
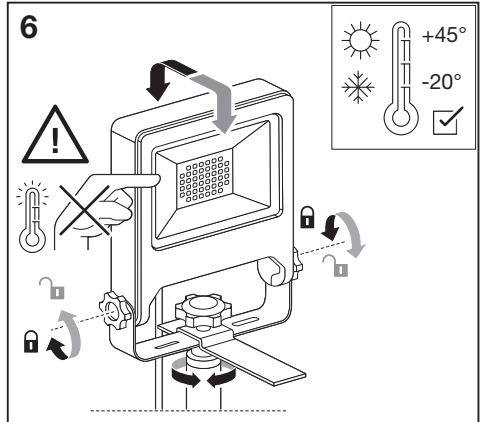
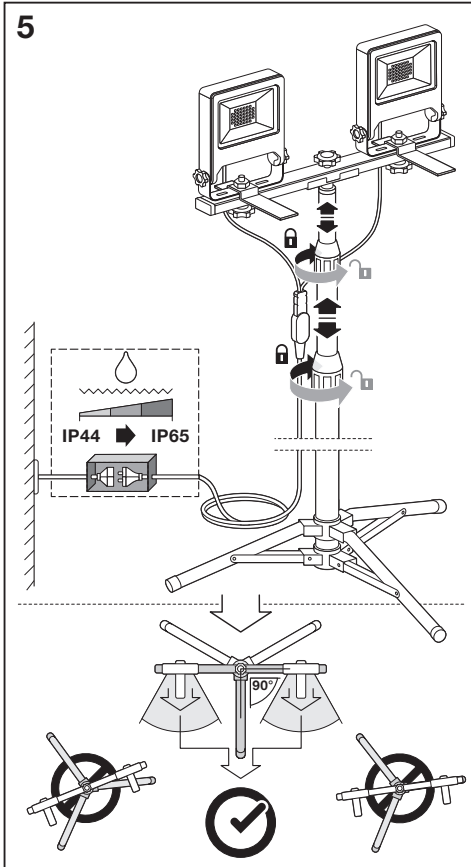
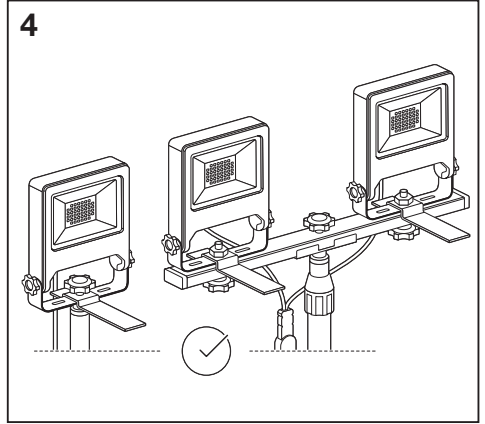
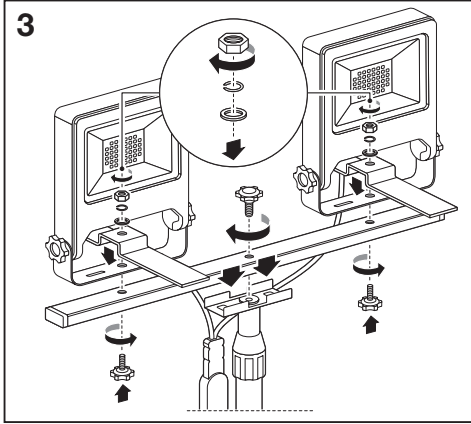


mm	L	W	H	👤
LED WORKLIGHT 1x20W	780	680	1700	2.6kg
LED WORKLIGHT 1x30W	780	680	1750	2.9kg
LED WORKLIGHT 1x50W	780	680	1800	3.3kg



mm	L	W	H	👤
LED WORKLIGHT 2x20W	780	680	1700	3.4kg
LED WORKLIGHT 2x30W	780	680	1750	3.9kg
LED WORKLIGHT 2x50W	780	680	1800	4.8kg







IP65
IP44



RoHS



C10449057
G11090989
17.01.2020



LEDVANCE GmbH
Steinerne Furt 62
86167 Augsburg, Germany
www.ledvance.com