

# Leonard



Chandelier

Lighting — Product Sheet  
[menu.as](http://menu.as)

by Søren Rose Studio



# Leonard



## Product Type

Chandelier

## Environment

Indoor

## Dimensions (cm / in)

H: 15 cm / 5,9"

Ø: 46 cm / 18,1"

## Colours

Brass

Black (RAL 9005)

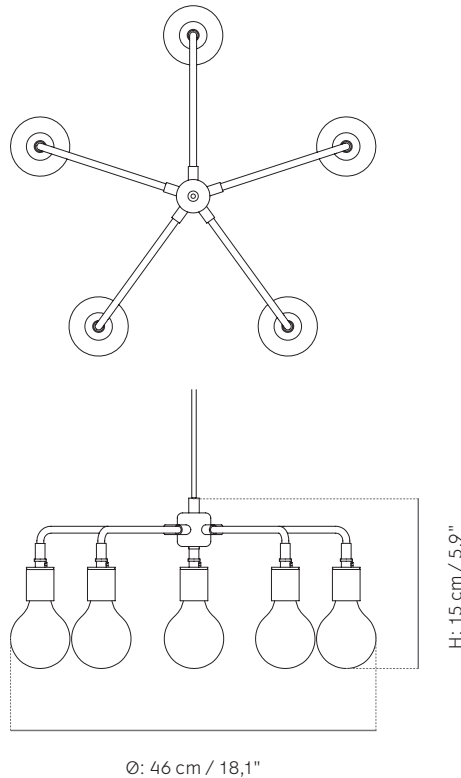
The Tribeca series is a mix of lamps, pendants and chandeliers, all inspired by the New York City glamour of the late 1930s. The name Tribeca refers to a very popular part of New York in lower West Manhattan, the triangle below Canal Street. The various shapes and designs in the Tribeca series were created in an inspiring creative process where Søren Rose travelled the States, searching for beautiful old lamps and reusable parts to create each unique piece. Collister Table Lamp, forms the latest addition to the series, taking inspiration from the Duane pendant.

## About the Designer

Søren Rose is a talented Danish entrepreneur and designer with a past in creative direction within the web and photography industries. His dream of having his own studio came true in 2008 and today he lives in New York where he operates the highly popular Søren Rose Studio. The team encompasses an incredible skill set within architecture, product design and manufacturing. They run a flat organisation, meaning, if the junior designer has the best idea, that's what they go with. Worshipping high quality and sustainable materials, the studio approaches their work with both traditional and innovative craftsmanship.

# Leonard

## Technical Specifications



### Production Process

The arms and connection parts are made from solid brass or steel rod, the socket is painted ceramic. The brass is not lacquered so the metal will darken and patinate over time.

### Materials

Powder Coated Steel (Fine Texture, Matt) or Solid Brass (Matt Polished).

Natural material are subject to variations, therefore every single product is unique.

### Weight item (kg)

1 kg

### Voltage (V)

220 V

### Light Source & Energy Efficiency Class

E27 (Not included), MAX 60 W, A++, A+, A, B, C, D

### Light Specification

Lumen, Kelvin and Ra Value depends on which bulb is used.

### Dimmer

No. The lamp can be fitted with a dimmer by a certified electrician.

### Canopy

Yes, Powder Coated Steel, Black  
Ø: 12 cm \* H: 2,5 cm

### Cord Material and Colour

Textile, Black

### Cord Length (cm / in)

500 cm / 196,9"

### Classification

CE and IP20

### Certifications

EMC: EN 55015:2013; EN 61547:2009; EN 61000-3-2:2014; EN 61000-3-3:2013  
LVD: EN 60598-2-1:1989; EN60598-1:2015

### Packaging Type

Giftbox

### Packaging Measurement (H \* W \* D)

51,5 cm \* 51,7 cm \* 18,2 cm

### Care Instructions

Use a soft dry cloth to clean. Do not use any cleaners with chemicals or harsh abrasives. Avoid using water. The brass will oxidise from the moment it is exposed to air. To maintain a shiny appearance, use a mild metal polish and a soft cloth.

# Tribeca Series Leonard

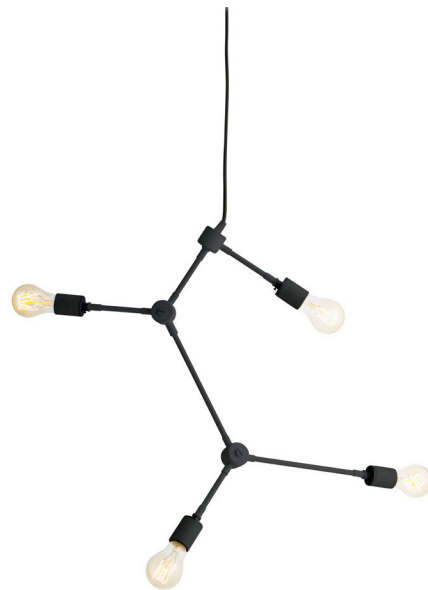


Black  
1910539



Brass  
1910839

# Tribeca Series Franklin



## Product Type

Chandelier

## Environment

Indoor

## Dimensions (cm / in)

H: 56 cm / 22"

Ø: 56 cm / 22"

## Colours

Brass

Black

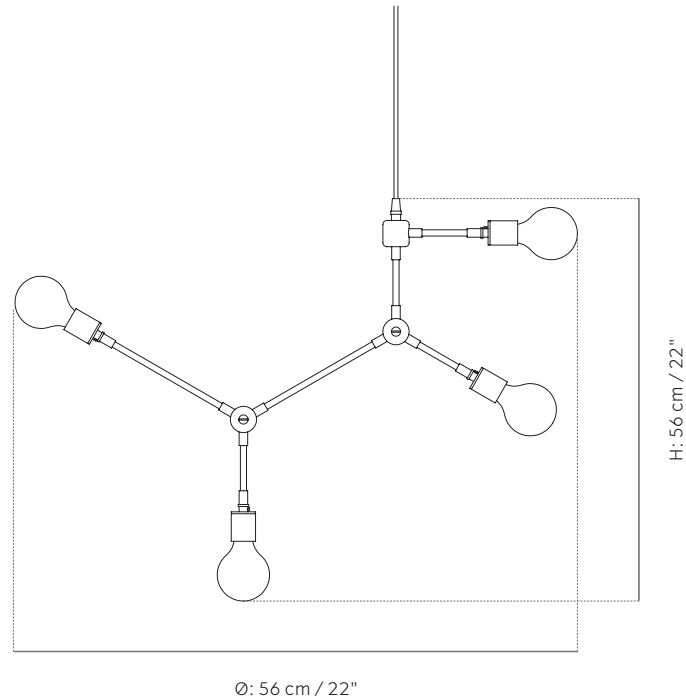
The Tribeca series is a mix of lamps, pendants and chandeliers, all inspired by the New York City glamour of the late 1930s. The name Tribeca refers to a very popular part of New York in lower West Manhattan, the triangle below Canal Street. The various shapes and designs in the Tribeca series were created in an inspiring creative process where Søren Rose travelled the States, searching for beautiful old lamps and reusable parts to create each unique piece. Collister Table Lamp, forms the latest addition to the series, taking inspiration from the Duane pendant.

## About the Designer

Søren Rose is a talented Danish entrepreneur and designer with a past in creative direction within the web and photography industries. His dream of having his own studio came true in 2008 and today he lives in New York where he operates the highly popular Søren Rose Studio. The team encompasses an incredible skill set within architecture, product design and manufacturing. They run a flat organisation, meaning, if the junior designer has the best idea, that's what they go with. Worshipping high quality and sustainable materials, the studio approaches their work with both traditional and innovative craftsmanship.

# Tribeca Series Franklin

## Technical Specifications



### Production Process

The arms and connection parts are made from solid brass or steel rod, the socket is painted ceramic. The brass is not lacquered so the metal will darken and patinate over time.

### Materials

Powder coated steel, steel or solid brass

### Weight item (kg)

1,1 kg

### Voltage (V)

220 V

### Light Source & Energy Efficiency Class

E27, MAX 60 W, A++, A+, A, B, C, D

### Cord Material and Colour

Black Textile

### Cord Length (cm / in)

500 cm / 196,9"

### Classification

IP20

### Certifications

N/A

### Packaging Type

Gift Box

### Packaging Measurement (H \* W \* D)

54,7 cm \* 70 cm \* 8,2 cm

### Care Instructions

Use a soft dry cloth to clean. Do not use any cleaners with chemicals or harsh abrasives. Avoid using water. The brass will oxidise from the moment it is exposed to air. To maintain a shiny appearance, use a mild metal polish and a soft cloth.

# Tribeca Series Franklin



Black  
1920539



Brass  
1920839

# Tribeca Series Harrison



## Product Type

Chandelier

## Environment

Indoor

## Dimensions (cm / in)

H: 85 cm / 33,5"

W/Ø: 50 cm / 19,7"

## Colours

Brass

Black

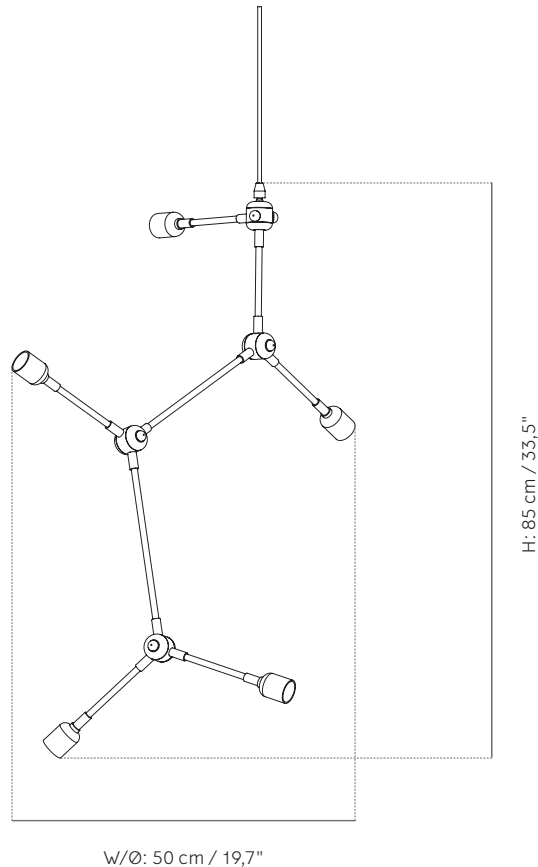
The Tribeca series is a mix of lamps, pendants and chandeliers, all inspired by the New York City glamour of the late 1930s. The name Tribeca refers to a very popular part of New York in lower West Manhattan, the triangle below Canal Street. The various shapes and designs in the Tribeca series were created in an inspiring creative process where Søren Rose travelled the States, searching for beautiful old lamps and reusable parts to create each unique piece. Collister Table Lamp, forms the latest addition to the series, taking inspiration from the Duane pendant.

## About the Designer

Søren Rose is a talented Danish entrepreneur and designer with a past in creative direction within the web and photography industries. His dream of having his own studio came true in 2008 and today he lives in New York where he operates the highly popular Søren Rose Studio. The team encompasses an incredible skill set within architecture, product design and manufacturing. They run a flat organisation, meaning, if the junior designer has the best idea, that's what they go with. Worshipping high quality and sustainable materials, the studio approaches their work with both traditional and innovative craftsmanship.



# Tribeca Series Harrison Technical Specifications



## Production Process

The arms and connection parts are made from solid brass or steel rod, the socket is painted ceramic. The brass is not lacquered so the metal will darken and patinate over time.

## Materials

Powder coated steel, steel or solid brass

## Weight item (kg)

2 kg

## Voltage (V)

220 V

## Light Source & Energy Efficiency Class

E27, MAX 60 W, A++, A+, A, B, C, D

## Cord Material and Colour

Black Textile

## Cord Length (cm / in)

500 cm / 196,9"

## Classification

IP20

## Certifications

N/A

## Packaging Type

Giftbox

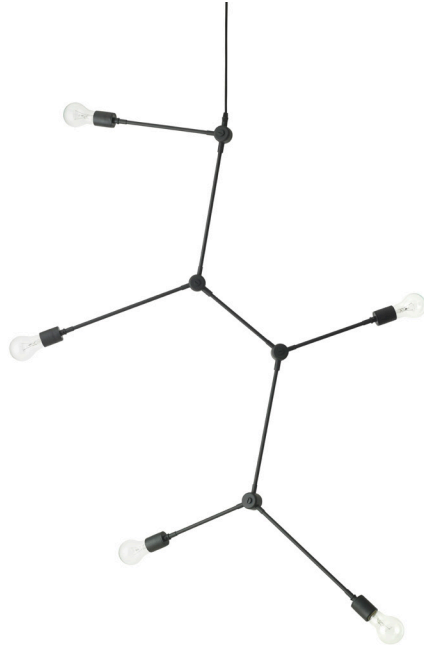
## Packaging Measurement (H \* W \* D)

94 cm \* 120,5 cm \* 8 cm

## Care Instructions

Use a soft dry cloth to clean. Do not use any cleaners with chemicals or harsh abrasives. Avoid using water. The brass will oxidise from the moment it is exposed to air. To maintain a shiny appearance, use a mild metal polish and a soft cloth.

# Tribeca Series Harrison



Black  
1970539



Brass  
1970839

# Tribeca Series Warren



## Product Type

Wall Lamp

## Environment

Indoor

## Dimensions (cm / in)

H: 56 cm / 22"

D: 62 cm / 24,4"

## Colours

Brass

Black

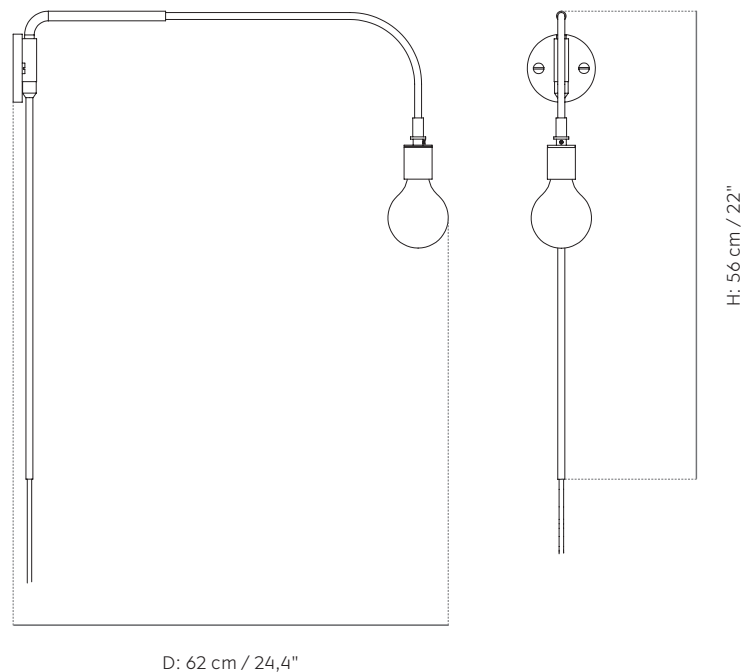
The Tribeca series is a mix of lamps, pendants and chandeliers, all inspired by the New York City glamour of the late 1930s. The name Tribeca refers to a very popular part of New York in lower West Manhattan, the triangle below Canal Street. The various shapes and designs in the Tribeca series were created in an inspiring creative process where Søren Rose travelled the States, searching for beautiful old lamps and reusable parts to create each unique piece. Collister Table Lamp, forms the latest addition to the series, taking inspiration from the Duane pendant.

## About the Designer

Søren Rose is a talented Danish entrepreneur and designer with a past in creative direction within the web and photography industries. His dream of having his own studio came true in 2008 and today he lives in New York where he operates the highly popular Søren Rose Studio. The team encompasses an incredible skill set within architecture, product design and manufacturing. They run a flat organisation, meaning, if the junior designer has the best idea, that's what they go with. Worshipping high quality and sustainable materials, the studio approaches their work with both traditional and innovative craftsmanship.

# Tribeca Series Warren

## Technical Specifications



### Production Process

The arms and connection parts are made from solid brass or steel rod, the socket is painted ceramic. The brass is not lacquered so the metal will darken and patinate over time.

### Materials

Powder coated steel, steel or solid brass

### Classification

IP20

### Weight item (kg)

0,7 kg

### Certifications

N/A

### Voltage (V)

220 V

### Packaging Type

Gift Box

### Light Source & Energy Efficiency Class

E27, MAX 60 W, A++, A+, A, B, C, D

### Packaging Measurement (H \* W \* D)

31,7 cm \* 62,6 cm \* 14 cm

### Cord Material and Colour

Black Textile

### Care Instructions

Use a soft dry cloth to clean. Do not use any cleaners with chemicals or harsh abrasives. Avoid using water. The brass will oxidise from the moment it is exposed to air. To maintain a shiny appearance, use a mild metal polish and a soft cloth.

### Cord Length (cm / in)

500 cm / 196,9"

# Tribeca Series Warren



Black  
1950539



Brass  
1950839

# Tribeca Series Staple



## Product Type

Wall Lamp

## Environment

Indoor

## Dimensions (cm / in)

H: 18 cm / 7,1"

D: 18 cm / 7,1"

## Colours

Brass

Black

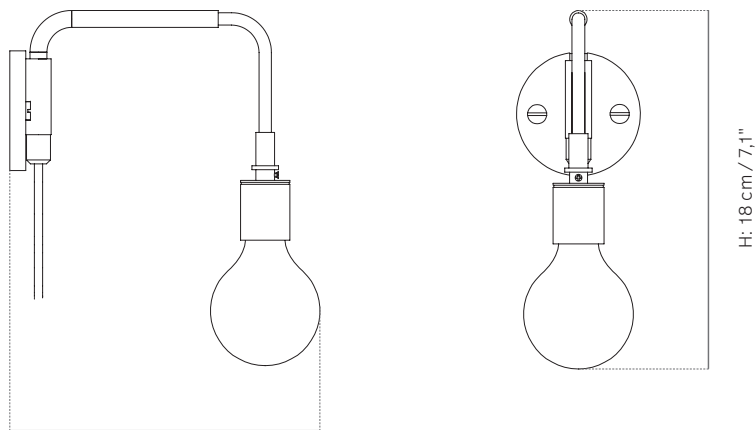
The Tribeca series is a mix of lamps, pendants and chandeliers, all inspired by the New York City glamour of the late 1930s. The name Tribeca refers to a very popular part of New York in lower West Manhattan, the triangle below Canal Street. The various shapes and designs in the Tribeca series were created in an inspiring creative process where Søren Rose travelled the States, searching for beautiful old lamps and reusable parts to create each unique piece. Collister Table Lamp, forms the latest addition to the series, taking inspiration from the Duane pendant.

## About the Designer

Søren Rose is a talented Danish entrepreneur and designer with a past in creative direction within the web and photography industries. His dream of having his own studio came true in 2008 and today he lives in New York where he operates the highly popular Søren Rose Studio. The team encompasses an incredible skill set within architecture, product design and manufacturing. They run a flat organisation, meaning, if the junior designer has the best idea, that's what they go with. Worshipping high quality and sustainable materials, the studio approaches their work with both traditional and innovative craftsmanship.

# Tribeca Series Staple

## Technical Specifications



D: 18 cm / 7,1"

### Production Process

The arms and connection parts are made from solid brass or steel rod, the socket is painted ceramic. The brass is not lacquered so the metal will darken and patinate over time.

### Materials

Powder coated steel, steel or solid brass

### Weight item (kg)

0,5 kg

### Voltage (V)

220 V

### Light Source & Energy Efficiency Class

E27, MAX 60 W, A++, A+, A, B, C, D

### Cord Material and Colour

Black Textile

### Cord Length (cm / in)

200 cm / 78,7"

### Classification

IP20

### Certifications

N/A

### Packaging Type

Giftbox

### Packaging Measurement (H \* W \* D)

10 cm \* 27,5 cm \* 25 cm

### Care Instructions

Use a soft dry cloth to clean. Do not use any cleaners with chemicals or harsh abrasives. Avoid using water. The brass will oxidise from the moment it is exposed to air. To maintain a shiny appearance, use a mild metal polish and a soft cloth.

# Tribeca Series Staple



Black  
1960539



Brass  
1960839



# Tribeca Series Reade



## Product Type

Table Lamp

## Environment

Indoor

## Dimensions (cm / in)

H: 34 cm / 13,4"

W: 15 cm / 5,9"

D: 15 cm / 5,9"

## Colours

Brass

Black

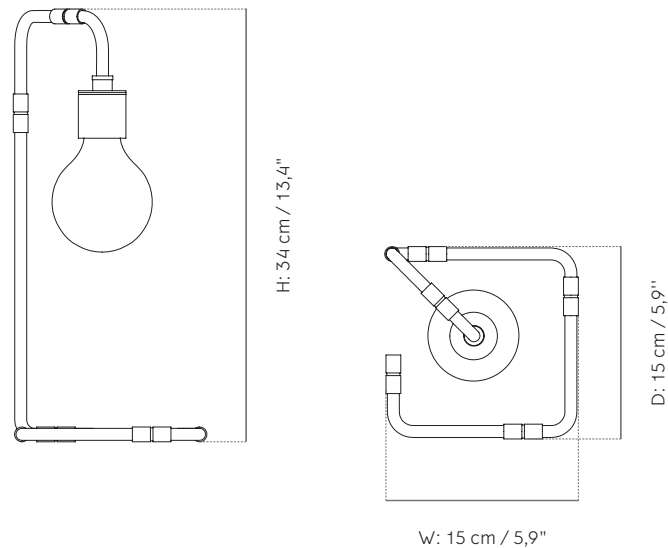
The Tribeca series is a mix of lamps, pendants and chandeliers, all inspired by the New York City glamour of the late 1930s. The name Tribeca refers to a very popular part of New York in lower West Manhattan, the triangle below Canal Street. The various shapes and designs in the Tribeca series were created in an inspiring creative process where Søren Rose travelled the States, searching for beautiful old lamps and reusable parts to create each unique piece. Collister Table Lamp, forms the latest addition to the series, taking inspiration from the Duane pendant.

## About the Designer

Søren Rose is a talented Danish entrepreneur and designer with a past in creative direction within the web and photography industries. His dream of having his own studio came true in 2008 and today he lives in New York where he operates the highly popular Søren Rose Studio. The team encompasses an incredible skill set within architecture, product design and manufacturing. They run a flat organisation, meaning, if the junior designer has the best idea, that's what they go with. Worshipping high quality and sustainable materials, the studio approaches their work with both traditional and innovative craftsmanship.

# Tribeca Series Reade

## Technical Specifications



### Production Process

The arms and connection parts are made from solid brass or steel rod, the socket is painted ceramic. The brass is not lacquered so the metal will darken and patinate over time.

### Materials

Powder coated steel, steel or solid brass

### Classification

IP20

### Weight item (kg)

0,4 kg

### Certifications

N/A

### Voltage (V)

220 V

### Packaging Type

Giftbox

### Light Source & Energy Efficiency Class

E27, MAX 60 W, A++, A+, A, B, C, D

### Packaging Measurement (H \* W \* D)

20,9 cm \* 38 cm \* 20 cm

### Cord Material and Colour

Black Textile

### Care Instructions

Use a soft dry cloth to clean. Do not use any cleaners with chemicals or harsh abrasives. Avoid using water. The brass will oxidise from the moment it is exposed to air. To maintain a shiny appearance, use a mild metal polish and a soft cloth.

### Cord Length (cm / in)

200 cm / 78,7"

# Tribeca Series Reade



Black  
1930539



Brass  
1930839