

GEBRAUCHSANLEITUNG

INSTRUCTIONS

INSTRUCTIONS

INSTRUCCIONES

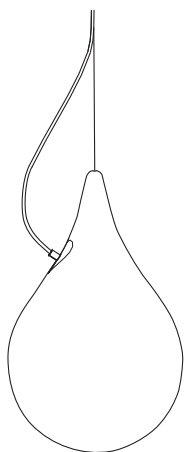
ISTRUZIONI

next[®]

less'n'more GmbH
Scheidtweilerstrasse 79
D-50933 Köln

Tel.: +49 (0)221-999844-80
Fax: +49 (0)221-999844-88

info@less-n-more.com
www.next.design
www.less-n-more.com



Drop_2 xs single



Drop_2 xs "3"



Drop_2 xs "5"



CE



IP40



LED 3,8W 365lm



LEBENSGEFAHR! Stromkreis abschalten und gegen Wiedereinschalten sichern! **SICHERHEITSHINWEISE** beachten!

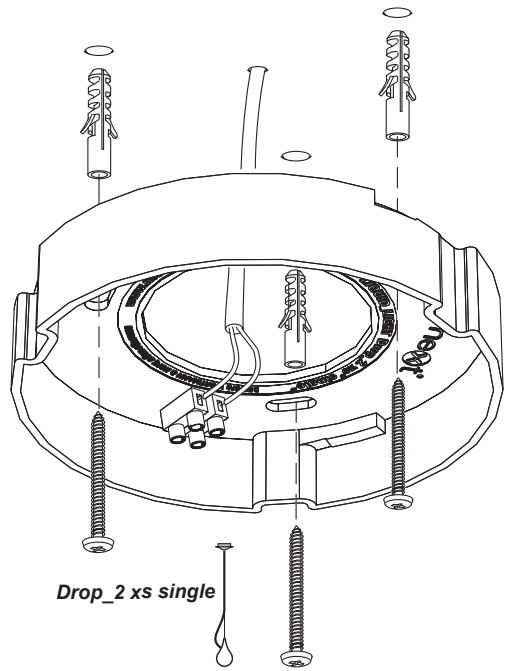
DANGER TO LIFE! Disconnect power supply and secure it against inadvertent reconnection! Observe **SAFETY INSTRUCTIONS!**

RISQUE DE MORT! Couper le circuit de courant et bloquer contre la remise en marche! Respecter les **NOTICES DE SÉCURITÉ!**

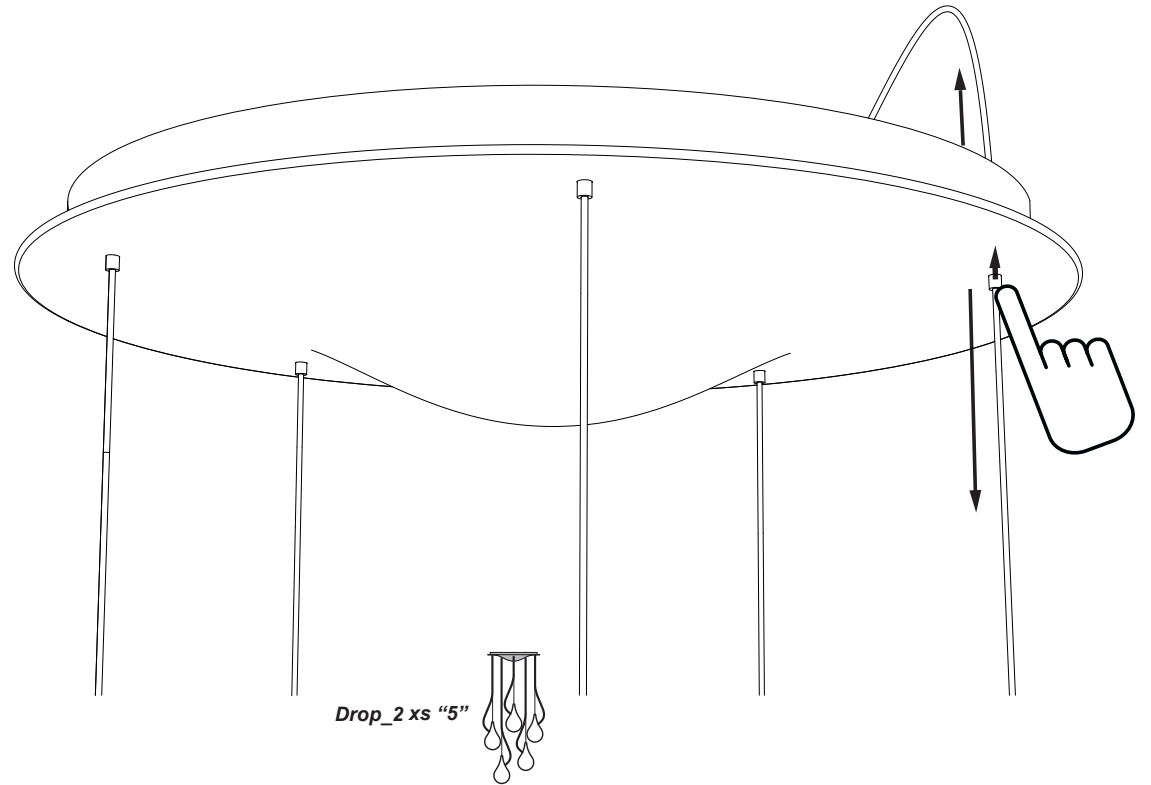
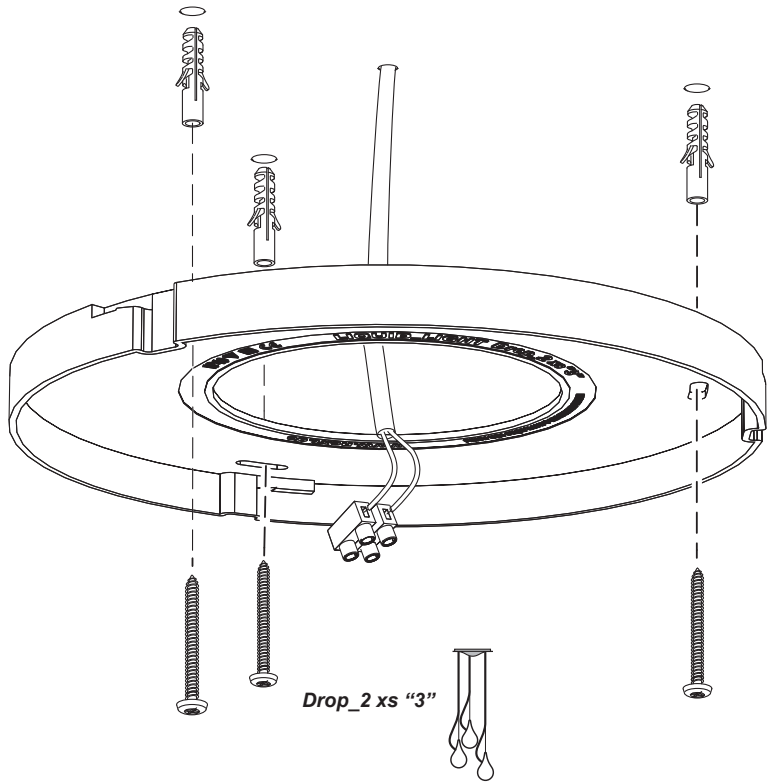
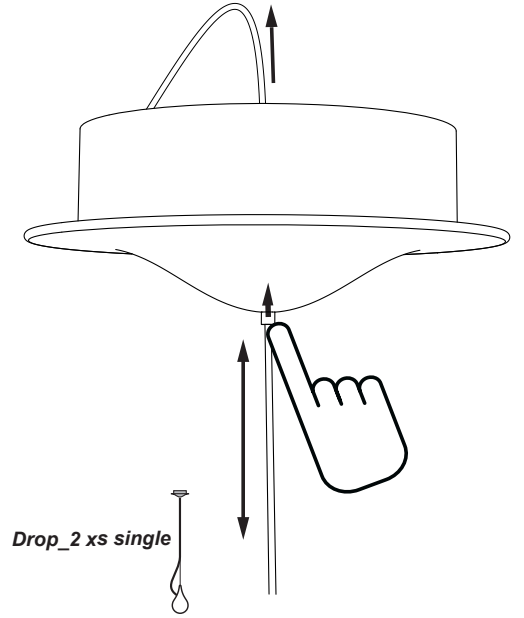
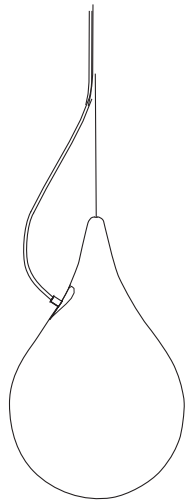
PELIGRO DE MUERTE! Desconectar el circuito eléctrico y asegurarlo contra una nueva conexión! Observar las **INDICACIONES DE SEGURIDAD!**

PERICOLO DI MORTE! Disinserire l'alimentazione elettrica e assicurare contro la riaccensione! Osservare le **INDICAZIONI DI SICUREZZA!**

1

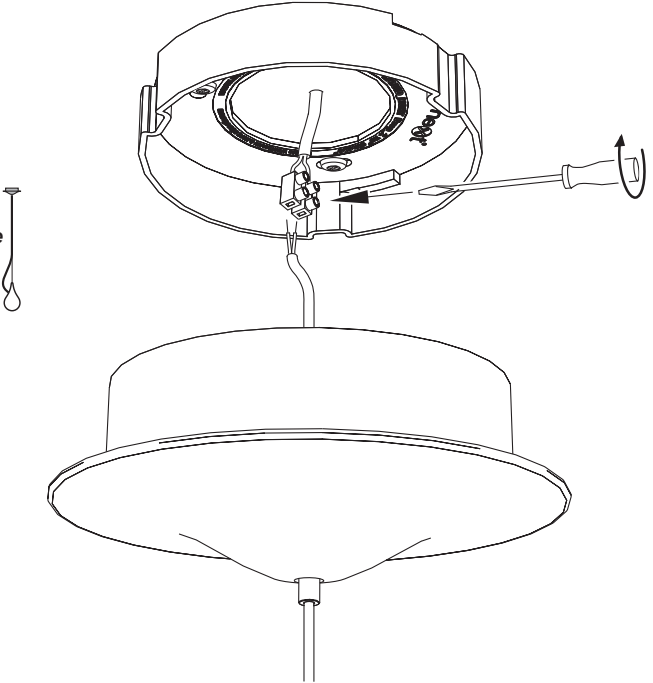


2

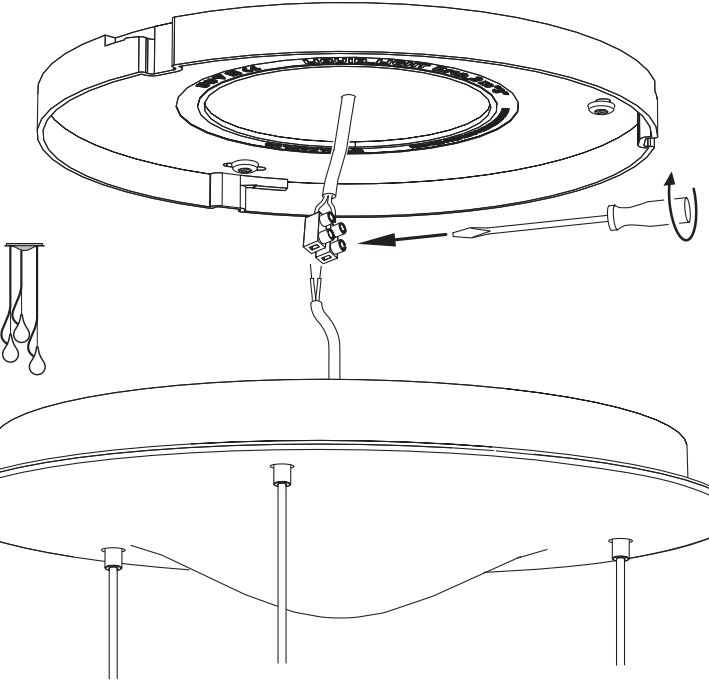


3

Drop_2 xs single

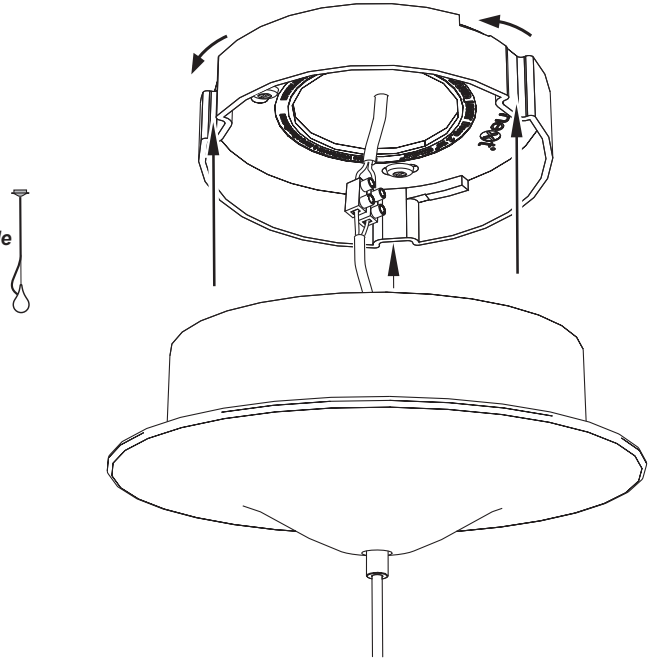


Drop_2 xs "3"

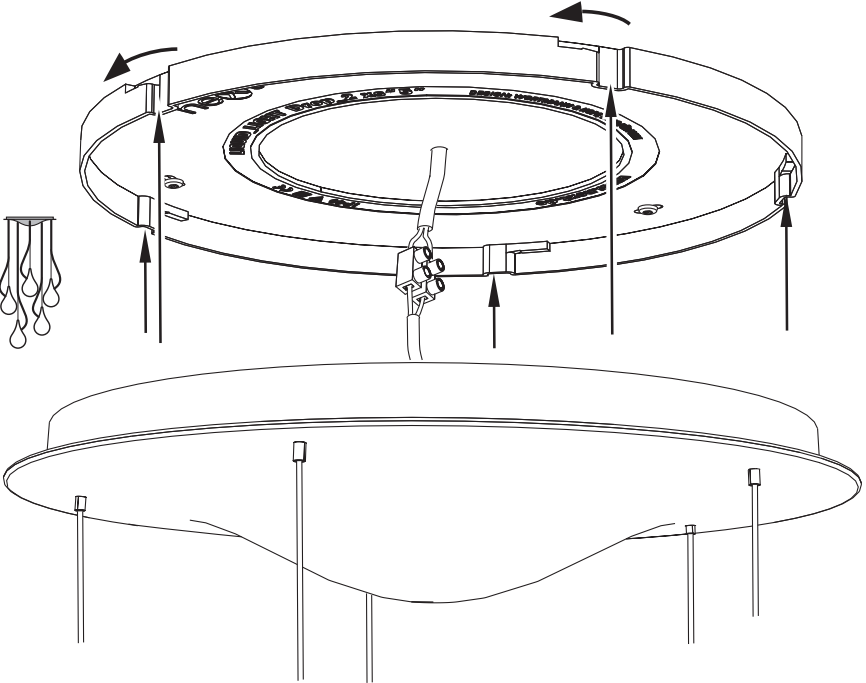


4

Drop_2 xs single



Drop_2 xs "5"



5

