

Safety Instructions

1, 2, 3, 4, 5, 6, 7, 8, 9, 12, 16,
17, 18, 19, 20, 22, 24, 28,
33, 34



Info Hotline



+49 (0) 5041 998 389

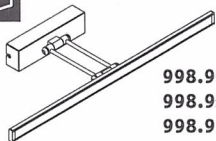
Mon. - Do. 7⁰⁰ - 20⁰⁰
Fr. 7⁰⁰ - 17⁰⁰

Paulmann Licht GmbH
Quezinger Feld 2
31832 Springe
Germany

www.paulmann.com

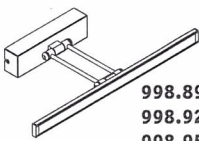
Art.-Nr.: 998.88-998.89
998.90-998.91
998.92-998.93
998.94-998.95
998.96

(+MA326) PSU 06/16



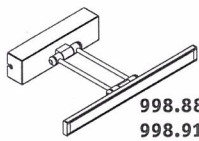
998.90
998.93
998.96

1x



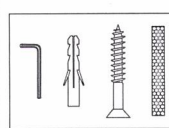
998.89
998.92
998.95

1x

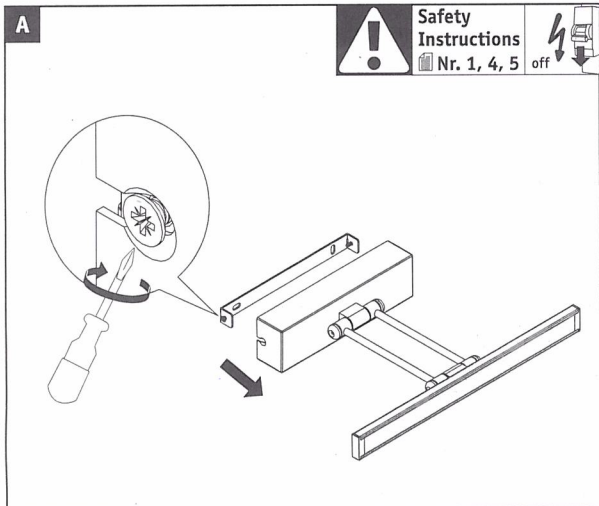
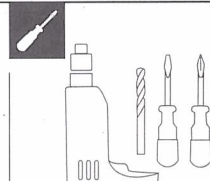


998.88
998.91
998.94

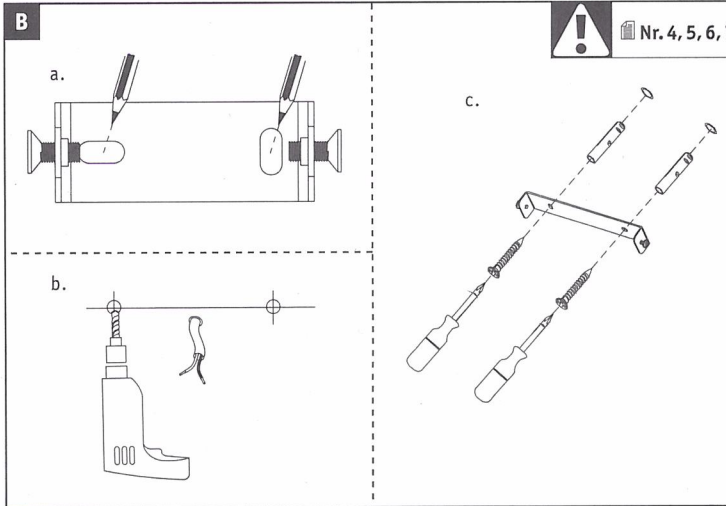
1x



Incl.



Safety
Instructions
Nr. 1, 4, 5



Nr. 4, 5, 6, 7

