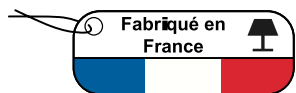
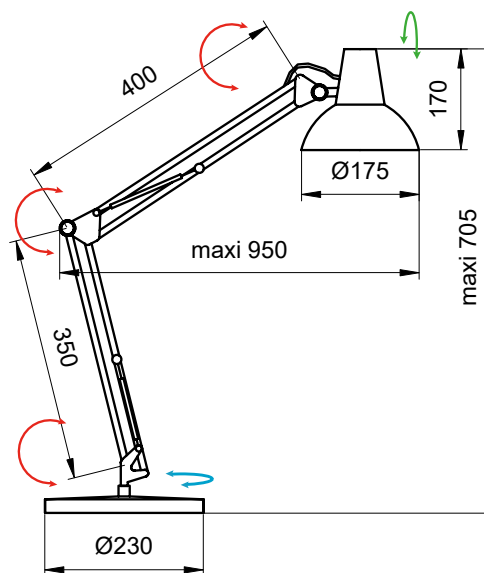


# CALYPSA

Desk lamp



Iconic Design



## • TECHNICAL SPECIFICATIONS

Light source \_\_\_\_\_ E27  
Power \_\_\_\_\_ 40W maxi  
Kelvin \_\_\_\_\_ /  
Lumen \_\_\_\_\_ /  
Material \_\_\_\_\_ Steel / Aluminium  
Color \_\_\_\_\_ ● ○

## • COMMERCIAL DATAS

Weight \_\_\_\_\_ 4,36 Kg  
Warranty \_\_\_\_\_ 5 years  
Packaging \_\_\_\_\_ 1  
Packaging / Box \_\_\_\_\_ 1  
Code EAN \_\_\_\_\_ ● 3131130365121  
○ 3131130365114

The iconic architect's lamp revisited, CALYPSA is fully articulated. Weighted base for great stability. On/off switch on the socket. Epoxy lacquered steel and varnished brushed metal.  
Product delivered without bulb



**ALUMINOR**  
LUMINAIRES  
CD15 La Roseyre n°852 / 06390 CONTES  
+33 04 93 91 60 10 // contact@aluminor.fr