

RIGA ZOOM : D920 D921
 D960 D961 D980 D981
RIGA Q ZOOM:
 D917 D918 D971
 D972 D973 D975



INPUT: 220-240V AC | USE LED-Driver
 1x2W LED 500mA 2700K/3000K/4000K
 MATERIAL:ALUMINIUM



INSTALLATION INSTRUCTION:

1. Before installing, make sure the power supply is switched off.
2. Follow the steps as shown on the right.

I. Drill a cutout hole in the ceiling with a diameter of Ø 68mm.

II. Connect the LED-spotlight with the LED-DRIVER. **Attention!**
 Take care of polarity. (+ / RED) (- / BLACK).
 Do not power the Driver before connecting with LED.
 Place the fixture in the ceiling by pushing the springs in the cut out.

III. Adjust the spotlight as needed.
 By rotating the head you can manually focus the LED
 from 15° to 60°.

CLEANING INSTRUCTION:

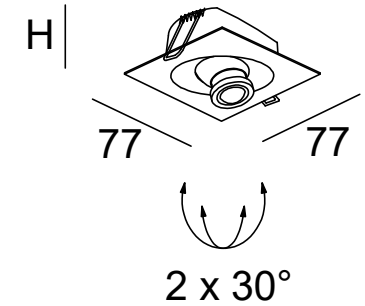
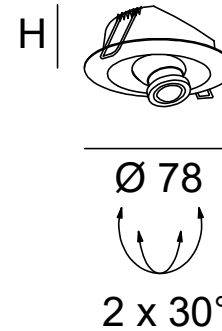
1. Before cleaning, ensure that the power supply is switched off.
2. Use a microfibre cloth or a similar fabric.
3. Warning: Do not use alcohol or other solvents.

CAUTION:

In case of any doubt, please contact a qualified electrician.

RIGA ZOOM

RIGA Q ZOOM



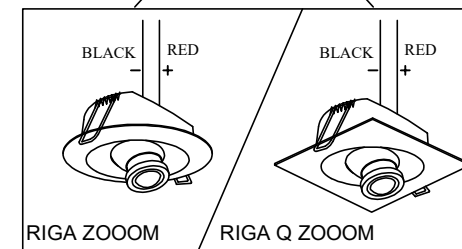
I.

cut out: Ø68 mm



II.

220-240V
 L
 N



III.

220-240V
 L
 N

