

FLOS

F1080009 White

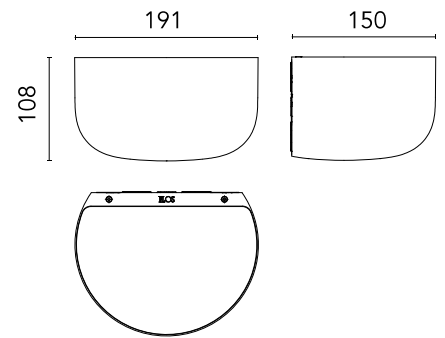
Bellhop Wall Up

Designed by Edward Barber and Jay Osgerby, 2022



17W - 1314lm - 2700K - CRI > 90

Designed by Edward Barber and Jay Osgerby Indirect light wall lamp. Body in colored polycarbonate. Diffuser made of semi-transparent injection-moulded polycarbonate. The surface of the diffuser has been designed with a special texture to enhance the uniformity of the light distribution. High efficiency LED source with a lifetime of more than 50.000 hours. The LED source can be easily replaced on site by a professional installer when it comes to the end of its lifecycle. Bellhop Wall Up is a future-proof lamp as no glue is used to assemble its different parts. The product can therefore be separated, replaced individually, and recycled separately.



Are you a professional and your project needs consulting and support?

[BOOK AN APPOINTMENT](#)

Main specifications

EAN	8059607047798
Mounting	Wall
Environment	Indoor Outdoor damp location
Light source type	LED
LED type	LED Module
Power (W)	17
System power (W)	17
Source flux (lm)	1600
System flux (lm)	1314

Physical

Colour	White
Length (mm)	150
Net weight (kg)	1.2
Package volume (m3)	0.01
IP	44

Download

[Mounting instructions](#) PDF

[Mounting instructions](#) PDF

Photometric Files

[LDT / IES](#) ZIP

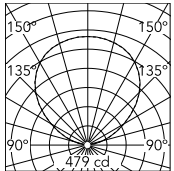
Technical Drawings

[2D](#) DWG

[3D](#) ZIP



Schematic light drawing



Beam Angle: 108°

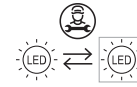
h(m)	E(lx)	D(m)
1	479	2.78
2	120	5.55
3	53	8.33
4	30	11.11
5	19	13.88

Luminous flux Luminaire
1314 lm

Ecodesign and Energy

Labelling

This product contains a light source of energy efficiency class G



Replaceable (LED only)
light source by a
professional

Photometric

Lighting type	Indirect, Direct
Light distribution	Symmetric
CCT (K)	2700
CRI>	90

Electrical

Insulation class	II
Frequency (Hz)	50/60
Main voltage (Vac)	220-240
Dimmable	Yes
Dimming interface	Remote Dimmable (Dimmer Not Included)