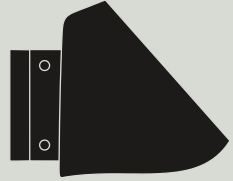


Instructions

Bonnet SC103 Space Copenhagen 2024



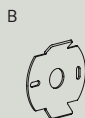
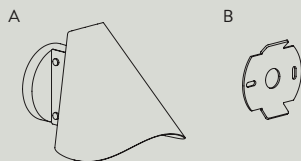
Please read these instructions carefully and retain them for future reference to ensure the product is used correctly. For your own safety, please study each step of this instruction manual first. &Tradition is not responsible for any faults or damage caused by not following these instructions correctly. Do not modify this product in any way. If you have any questions or comments, please do not hesitate to contact us by mail on: info@andtradition.com

&Tradition®

Bonnet SC103

Space Copenhagen

2024



Safety precautions

- Dispose of plastic bag from packaging and do not allow children to play with it.
- Keep product well out of children's reach.
- This lamp is for indoors use only.
- Consult a professionally qualified electrician if in any doubt.

Contents

- A Lamp shade
- B Wall bracket
- C Diffuser

Tools needed

- Bulb type G9
- Screwdriver

Cleaning instructions

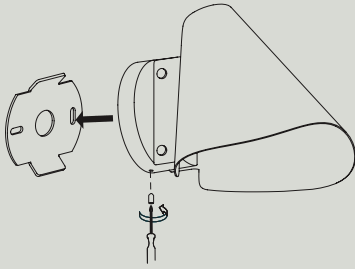
- Wipe surface of the shade with a dry cloth.
- Do not use any abrasive cleaning tools such as steel wool, scouring sponges or stiff brushes.
- Never use strong cleaning agents such as white spirit, terpentine, household glass cleaner or cellulose thinners.

09/23

For indoor use only
G9 Maximum 8W (only LED)
Bulb not included

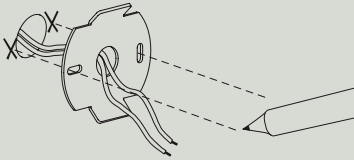


&Tradition®



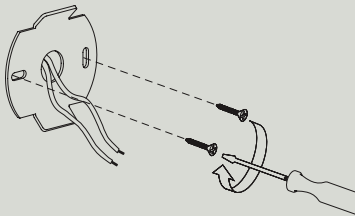
Step 1

Carefully remove the lamp from wall bracket, by unscrewing the bottom screw.



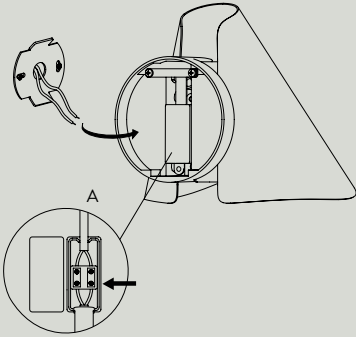
Step 2

Install the wall bracket by pulling the wires from the main outlet through the hole in the wall bracket.



Step 3

Drill holes for the bracket and use the correct type of screws and plugs for the type of wall, on which the lamp is to be installed. Tighten the screws and ensure the bracket is safely fixed.

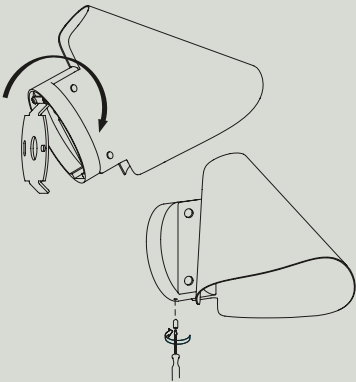


Step 4

Pass the wires from the outlet through the isolation tube and install into the white terminal connector.

Connect the blue supply wire to the blue fixture wire, using the connector marked 'N'. Connect the brown supply wire to the brown fixture wire, using the connector marked 'L'.

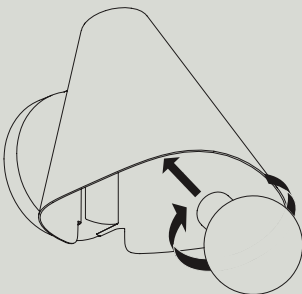
Close the cap to the terminal connector and place it inside the lamp housing.



Step 5

From an angle place the lamp over the wall bracket from the top, so the bar inside the lamp catches onto the wall bracket.

Place the lamp fully over the wall bracket, and tighten the screw underneath to fix the lamp to the wall bracket.



Step 6

Install a light bulb in the lamp and screw on the glass diffuser. Be careful not to overturn the glass diffuser.