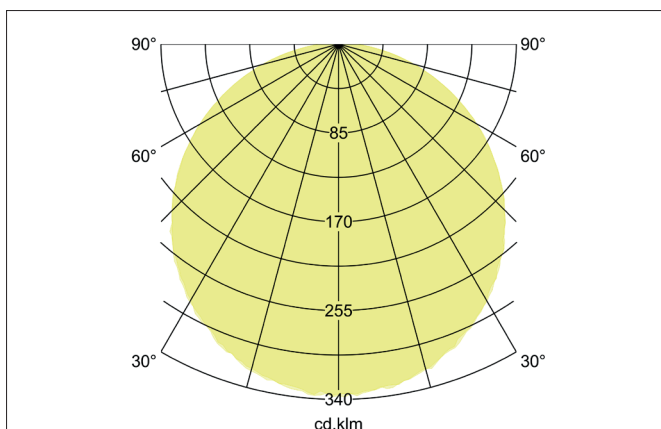
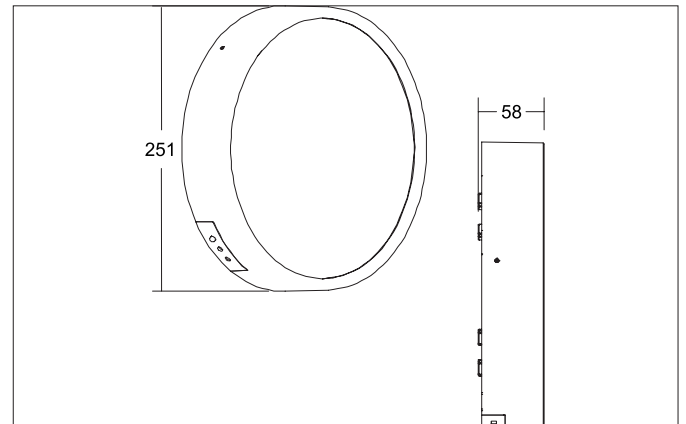


**EYE LED wall surface mounted luminaire, IP65**  
**Article no. 10136173**

Light.  
 For Generations.



#### Tender

LED wall surface mounted luminaire, IP65, Round. Luminaire diameter 251.0 mm, Weight 1.34 kg, with rotationssymmetrical, deep, wide distributed light intensity. optimal light distribution due to a plastic, opal cover. Luminous flux 1.530 lm, Power 1 x 18 W, System Efficiency 85 lm/W, Light colour warm white to daylight white, Correlated color temprature (CCT) 3.000 - 5.700 K, Colour rendering index CRI > 80, Housing material: Aluminium / Plastic, Colour: White, Permissible ambient temperature (ta): -20 °C - +25 °C, Protection class (EN 61140): I, Degree of protection (DIN EN 60529): IP65, shock resistance according to IEC62262: IK08 . With electronic driver, on/

Article data	
Article no.	10136173
GTIN	4251433971856
Series name	EYE
Short description	LED wall surface mounted luminaire, IP65
Material	Aluminium / Plastic
Colour	White
Type of surface	Structure
Shape	Round
Outer diameter	251 mm
Width	76 mm
Scope of delivery	Incl. converter for connection to the 230-V mains voltage, on/off switchable
Weight	1.340 kg

EYE LED wall surface mounted luminaire, IP65  
Article no. 10136173

Light.  
For Generations.

Lighting technology	
Colour temperature	3000 K / 4000 K / 5700 K
Light colour	White
Light output	Direct/Indirect
Luminous flux	1,530 lm
System efficiency	85 lm/W
Colour rendering	CRI > 80
Luminaire optics	Cover satin
Reflector	Without
Beam angle	120°
Light sharing	Symmetric

Operating technology of the luminaire	
System output	18 W
Voltage type	AC
AC nominal voltage max	230 V
Frequenz max.	50 Hz
Lamp	LED
Protection class	I
Degree of protection	IP65
Control	on/off
Bulb change possible	Die Lichtquelle dieser Leuchte darf nur vom Hersteller oder einem von ihm beauftragten Servicetechniker oder einer vergleichbar qualifizierten Person ersetzt werden.

Mounting technology	
Mounting method	Surface mounting
Place of installation	Wall-mounted
Adjustability	Not adjustable
Impact resistance	IK08
Material cover	Plastic, opal
Suitable for through-wiring	Yes

Packing data	
Gross weight	1.6 kg
Length of packaging	285 mm
Packaging width	280 mm
Packaging height	100 mm
Disposal at end of life	This product must not be disposed of with household waste. You are obliged, to dispose of such electrical waste separately. By disposing of electrical waste and other old or defective electronics separately, you support recycling or other forms of re-use. In that way you help to take care and to avoid that harmful substances get into the environment.