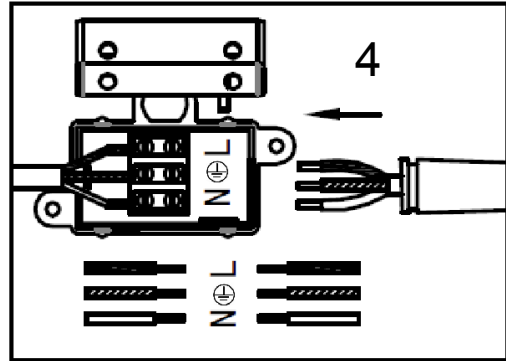


1



4

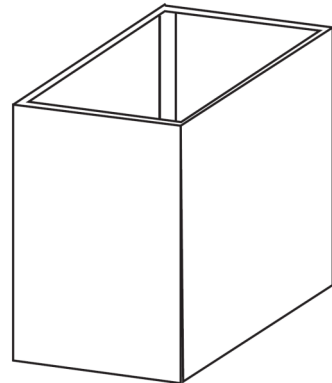


9

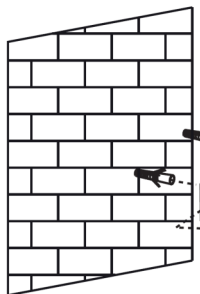
8



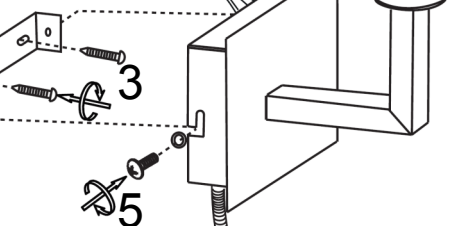
7



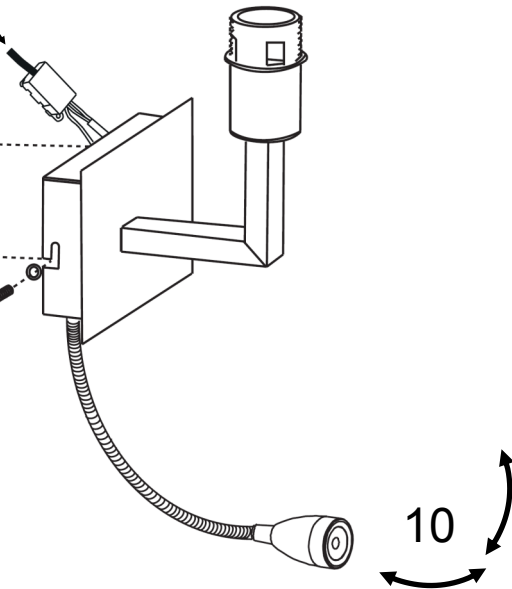
6



2



5



10

### SAFETY INFORMATION: (Please retain for future reference)

- Always turn off the mains supply before commencing the installation of this fitting .
- This is a Class 1 product and does requires an Earth connection – 230 (240) Volts – 50Hz AC.
- This product must be installed in accordance with the national building regulations, if in doubt consult a qualified electrician.
- This fitting is suitable for installation in Indoor locations only .
- Do not mount the fitting in a damp atmosphere.
- Do not stare at the operating lamp when using LED lamps .
- Ensure sufficient access to the fitting to enable safe maintenance.

### LAMP INFORMATION:

- We recommend LED lamps only.
- This fitting is not suitable for dimming.
- Do not exceed the maximum wattage and bulb type stated on the lamp holder.

### LED INFORMATION:

- The integrated LED lamp from the adjustable arm is not replaceable, when the LED lamp reach the end of their life the whole luminaire must be replaced.

### AFTERCARE AND MAINTENANCE:

- Always disconnect power supply when servicing or cleaning.
- Clean only with a dry or slightly damp cloth
- Do not use abrasive cloths or cleaners as this may damage the product.

#### MAINS SUPPLY

#### LIGHT FITTING

