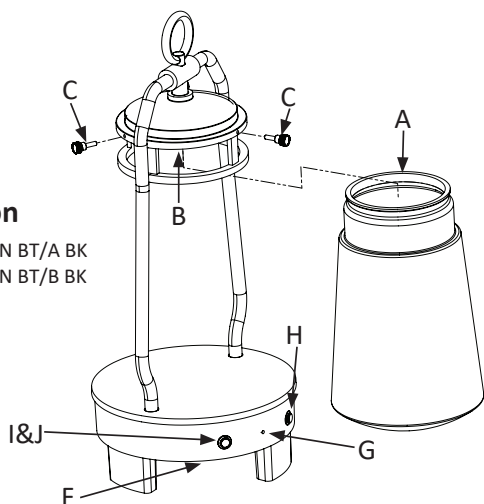


**Fixture Diagram**

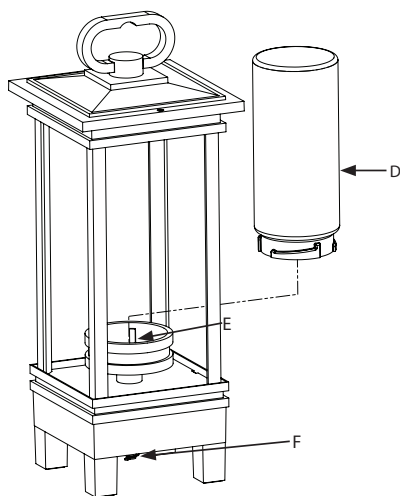
**Lyndon**

KL/LYNDN BT/A BK  
KL/LYNDN BT/B BK



**South Hope**

KL/SHOPE BT/A OZ  
KL/SHOPE BT/B OZ



**Parts List**

[A] Glass for Lyndon Lantern	[D] Glass for South Hope Lantern	[H] Power Button
[B] LED for Lyndon Lantern	[E] LED for South Hope Lantern	[I] Bluetooth Button
[C] Screws for Lyndon Lantern	[F] Charging Port	[J] Bluetooth Indicator Light
	[G] Red Indicator Light	

**Installation Instructions**

- 1) Installing the glass
  - a) To install glass for the Lyndon Lantern:
    - Hold the glass[A] so the opening is facing up.
    - Place the glass over the LED[B] .
    - Use the three screws[C] to hold the glass in place. Do NOT over tighten the screws.
  - b) To install glass for the South Hope Lantern:
    - Hold the glass [D] so the opening is facing down.
    - Place the glass over the LED [E] .
    - Gently rotate the glass clockwise until it will not move anymore. Carefully pull up on the glass to ensure it has properly engaged with the lantern.
- 2) Charging the lantern  
For best results, completely charge the lantern prior to use.
  - To charge the lantern, plug the charger into the wall.
  - Attach the other end of the charger into the charging port[F] on the bottom of the lantern.
  - A red indicator light[G] will illuminate to illustrate the lantern is charging. Once the battery is completely charged, this light will become green. *NOTE: The lantern can still operate as a light and/or speaker while it is being charged.*

**Power Supply Information:**

The transformer unit is not repairable, therefore replace with similar CE approved unit rated at:

INPUT: AC 220 – 240V, 50/ 60 Hz 0.5A

OUTPUT: DC5V 300mA

**Installation Instructions (continued)**

- 3) Turning the light ON/OFF
  - Tap the power button[H] to turn the light on. The light will come on and the switch itself will also illuminate green.
  - Tap the power button again to turn the light off. The light will turn off and the green switch will no longer be illuminated.
- 4) Dimming the lantern
  - The lantern defaults to 50% light output when first turned on.
  - To adjust the light output, press and hold the power button. This will begin to dim the light to its lowest position. Release the button when the desired light output is reached; otherwise the lantern will continue to its lowest light output.
  - After the lantern has reached its lowest light output, release then hold the power button again to increase light output.
  - Continue to hold the power button to get to the highest output level or release the button when the desired light output is reached.
- 5) Pairing and connecting a BLUETOOTH phone/tablet
  - Press and hold the Bluetooth button[I] until a tone is heard. The button will flash blue signaling it is ready to pair.
  - Turn on the Bluetooth function on your phone/tablet.
  - Using the Bluetooth settings of your phone/tablet, select “Kichler” from the list of available connections.
  - The Bluetooth indicator light[J] on the lantern will change to solid blue when the connection is successful and another tone will sound.
  - To play music on your lantern, ensure volume on your phone/tablet is NOT set to mute.
  - To adjust the listening volume, use the volume controls on your phone/tablet.
- 6) Listening to music
  - After you phone/tablet has paired with the lantern, it will connect automatically. If the lantern does not connect automatically, repeat the pairing process to register your phone/tablet.
  - The audio source (phone/tablet) will control the volume, pause, play, and advance tracks. *NOTE: If sound is NOT audible, ensure your phone/tablet is not muted and make sure the volume is at an appropriate level.*
- 7) Turning off the lantern’s Bluetooth audio
  - To turn off the lantern’s Bluetooth audio function, hold the Bluetooth button[I] until the blue light on the Bluetooth button is no longer lit.
- 8) How to switch audio source (changing between a different phone/tablet)
  - Repeat pairing instructions (see section titled Pairing and connecting a BLUETOOTH phone/tablet) on second phone/tablet.
  - If primary phone/tablet is already connected, press and hold Bluetooth button until blue light flashes. Ensure primary phone/tablet is disconnected.
  - Select lantern (titled Kichler) on second phone/tablet.

**Cautions**

**CAUTION – DO NOT INCINERATE**

This product contains Lithium Ion Batteries that must be disposed of following any State or Local code regulations for proper disposal.

**Warning! Battery shall not be exposed to excessive heat such as sunshine, fire or the like.**

**Caution! The battery can’t be replaced.**

**The light source contained in this luminaire shall only be replaced by the manufacturer or his service agent or a similar qualified person.**