

BENTO

29-May-2019

1.3

LED 8W | 220-240VAC | 50-60Hz | COB 3-step | incl. PS | phase-cut dim

CE IP20 960°C 0,3m P

3000K | >90CRI | 310lm

white texture
black texture

309274W5
309274B5

3.6

LED 8W | 220-240VAC | 50-60Hz | COB 3-step | incl. PS | phase-cut dim

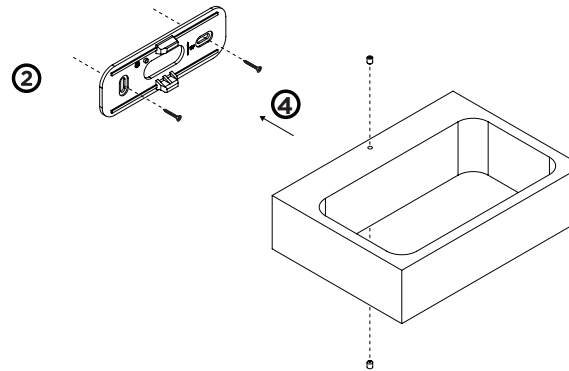
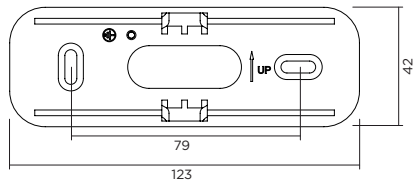
CE IP20 960°C 0,3m P

3000K | >90CRI | 310lm

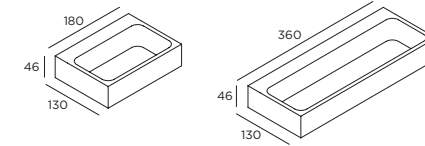
white texture
black texture

309374W5
309374B5

back plate dimensions



DIMENSIONS



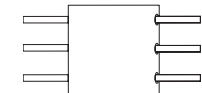
MOUNTING INSTRUCTION

- 1 Remove the lamp base
- 2 Fixate the back plate to the wall with screws.

POWER CONNECTION

- 3 Connect the power supply.

Interior: STANDARD version



- 4 fixate the lamp base back to the back plate.



WEVER & DUCRÉ
LIGHTING

www.weverducre.com

Wever & Ducré bvba Spinnerijstraat 99/21 8500 Kortrijk

INSTALLATION
INSTRUCTIONS