

**\*DLS**  
LIGHTING

D334, D335, D337 STYLE Q DUO

INPUT: 220-240V ~ 50/60Hz CLASS I

LAMP-HOUSE: GU10-50W(Max.)

MATERIAL: ALUMINIUM



0.5m



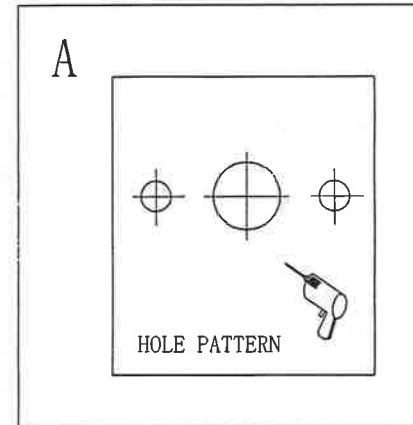
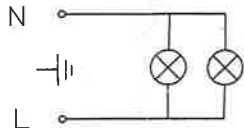
### INSTALLATION INSTRUCTIONS

1. Before installing, make sure the power supply is switched off.
2. Follow the steps as the figure for installation or replacement of bulb  
Step.A.after holing, pull out the wires  
B. fix the base plate to the ceiling  
C. connect the wires to the terminal block  
D. fix the lamp body to the base plate with screws  
E. insert the bulb to the lamp body
3. After finishing every step, tighten the screws, have the fixture fixed, and then connect the power supply.

### SAFETY INSTRUCTIONS

- The appliance should be installed, connected and tested by qualified electrician, and in accordance with local regulations.
- Turn off the power supply before installation or maintenance of the appliance, and make sure that the cables will not be squeezed or damaged by sharp edges.
- Clean the appliance with a soft cloth and a standard PH neutral detergent  
Stainless steel surfaces should be maintained regularly.
- Misuse of, or changes to the appliance shall nullify the guarantee.  
The manufacturer is free to change the design, specifications and instructions for assembly.

THE APPLIANCE SHOULD NOT BE COVERED BY INSULATION BLANKET OR SIMILAR MATERIALS IN ANY CASE.



**CAUTION: WHILE THE LAMP IS WORKING, THE SURFACE OF IT IS VERY HOT, PLEASE DO NOT TOUCH!**

