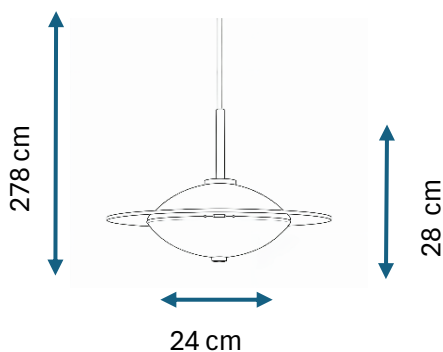


PRODUCT DATASHEET

Orbit Pendant Ø24 - Opal/Sort - 5705639743582



MAX



GENERAL INFORMATION

Product Code	743582
Collection	Halo Design
Product Category	Pendant
Product family	Orbit
Use	Indoor
Application Environment	Pendant

DIMENTION & WEIGHT

Width (mm)	240
Height (mm)	280
Depth (mm)	240
Weight gram	1000

MATERIAL & COLOR

Product Color	Opal
Main Material(s)	Glass

TECHNICAL INFORMATION

IP Classification	IP20
Dimmable	Yes (according to the bulb)
Type:	Pendent-Non-Directional Light
Flicker Metric	00:00
Stroboscopic Effect Metric	00:00
LED module replaceable	No
Socket type	G9

ELECTRICAL DATA

Energy Consumption (kWh/1000h)	
Standby Power (kWh/1000h)	
Input voltage	230-240

CERTIFICATES

Certificates	CE
Energy Efficiency Class	
EPREL ID	
EPREL URL	

PHOTOMETRICAL DATA

Luminous Flux	
Colour Temperature (K)	
Color Rendering Index (CRI)	

WARRANTY

Warranty (years)	2
------------------	---