



Paulmann

### Safety Instructions

0,1,2,4,6,11,15,18,22



Info

[www.paulmann.com](http://www.paulmann.com)

Paulmann Licht GmbH  
Quezinger Feld 2  
31832 Springe  
Germany

[www.paulmann.com](http://www.paulmann.com)

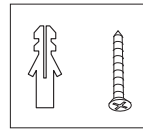
Art.-Nr.: 968.33/968.34  
968.54/968.64  
968.65/968.66  
976.82/976.83  
976.84/



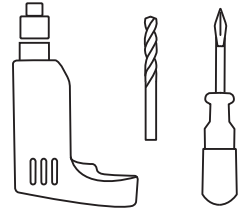
968.54  
968.64  
976.82



0.5m



incl.



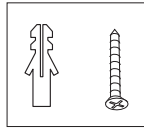
(+MA173)PBO 01/18



968.33  
968.65  
976.83



1m



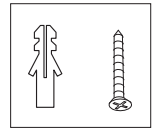
incl.



968.34  
968.66  
976.84

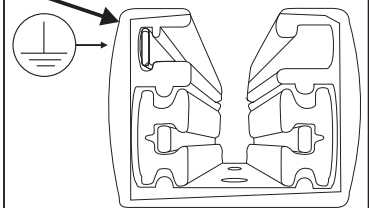
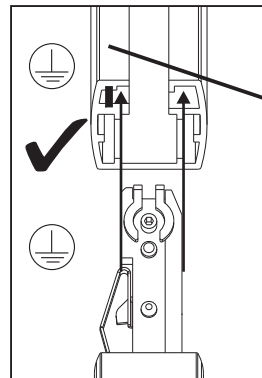
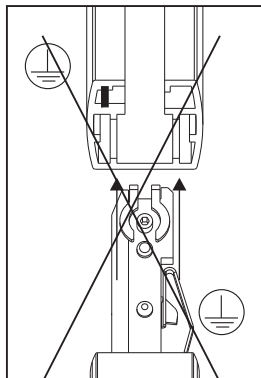
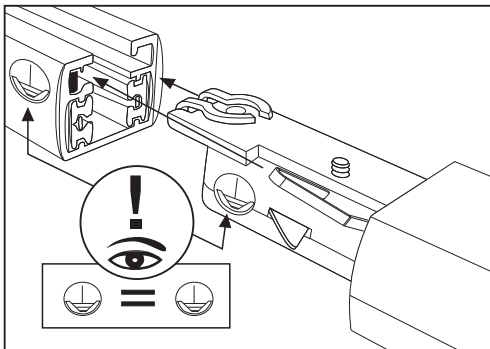


2m

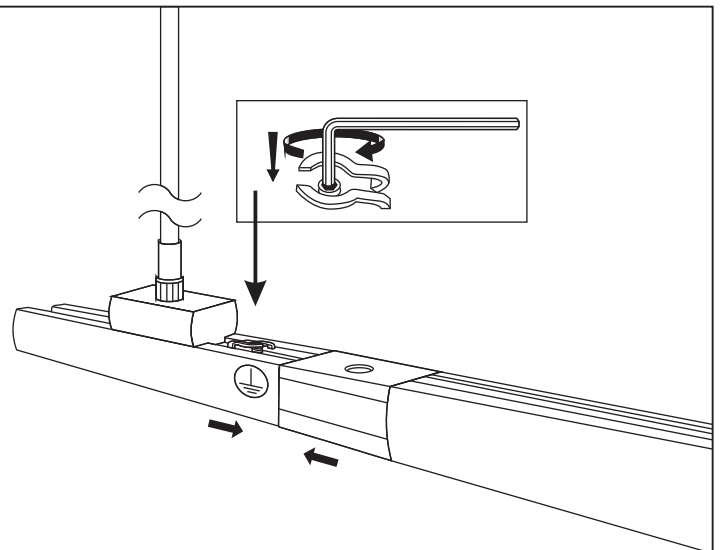
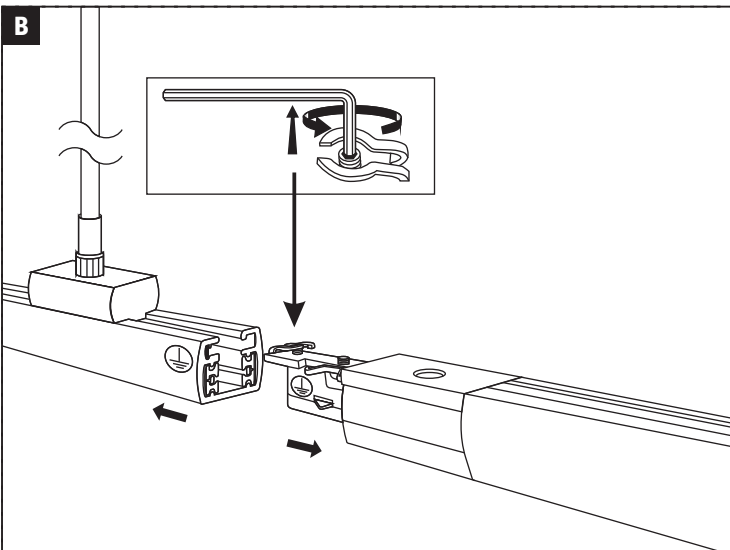


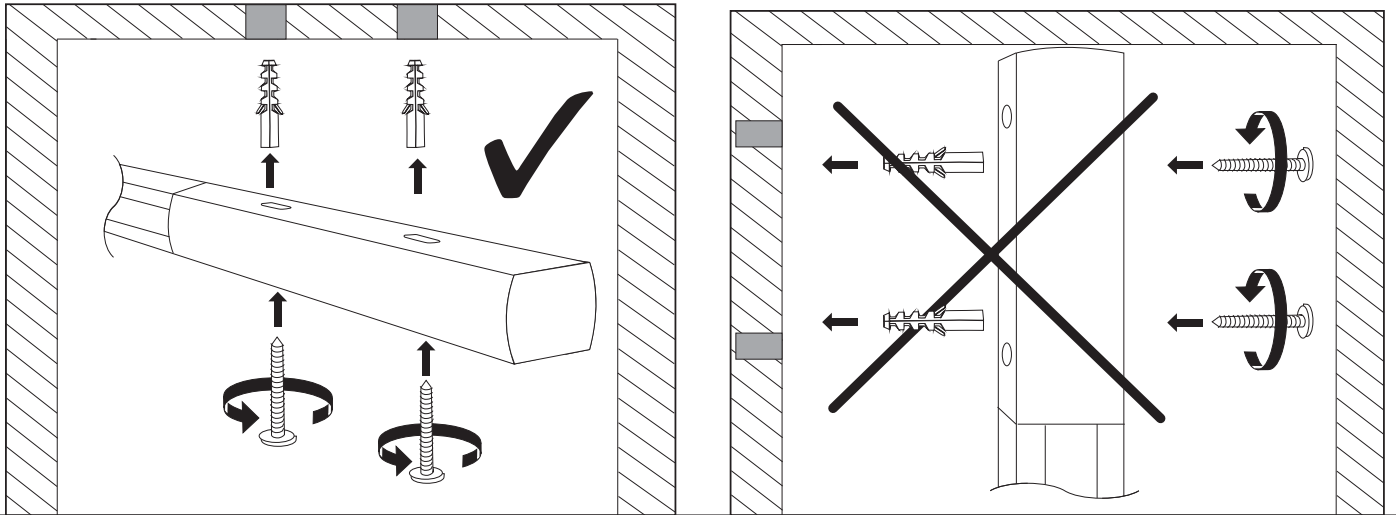
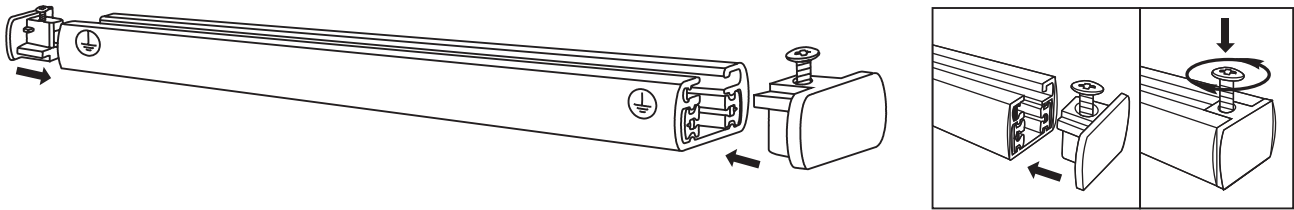
incl.

A



B



**C****D****E**