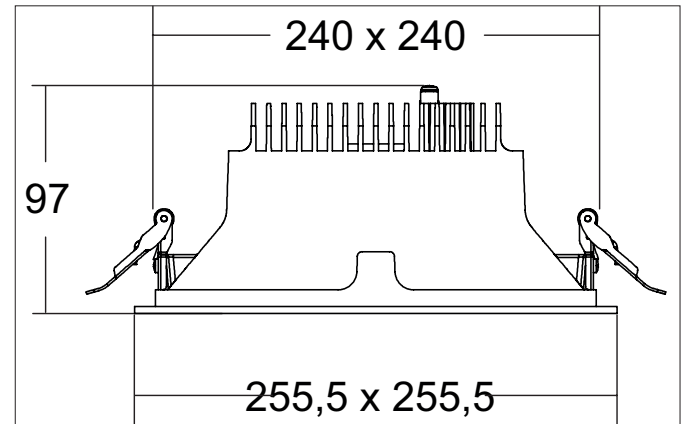


APOLLO MEGA LED recessed downlight, square

Article no. 41645175

Light.
For Generations.**Tender**

LED recessed downlight, square, Square. Toolless ceiling installation by installation springs. Ceiling cut-out L x W 240 x 240 mm, Installation depth 97 mm, Length 255 mm, Width 255 mm, Weight 0,850 kg, Reflector silver with rotationssymmetrical, deep, wide distributed light intensity. optimal light distribution due to a plastic, transparent cover. Luminous flux 3.013 lm, Power 1 x 24 W, Light colour neutral white, Correlated color temprature (CCT) 3.500 K, Colour rendering index CRI > 90, Rated life time L80/B10 at 25 °C: 50.000 h, Rated life time L80/B50 at 25 °C: 50.000 h, Housing material: Aluminium / Glass / Plastic, Colour: White structure, Permissible ambient temperature (ta): -20 °C - +25 °C, Protection class (EN 61140): II, Degree of protection (DIN EN 60529): IP20, .With electronic driver, on/off switchable.

| Article data | |
|--------------------|--------------------------------|
| Article no. | 41645175 |
| GTIN | 4251433991113 |
| Series name | APOLLO MEGA |
| Short description | LED recessed downlight, square |
| Material | Aluminium / Glass / Plastic |
| Colour | White |
| Type of surface | Structure |
| Shape | Square |
| Built-in width | 240 mm |
| Built-in length | 240 mm |
| Installation depth | 97 mm |
| Length | 255 mm |
| Width | 255 mm |
| Weight | 0.850 kg |

APOLLO MEGA LED recessed downlight, square

Article no. 41645175

Light.
For Generations.

| Lighting technology | |
|------------------------------|-----------|
| Colour temperature | 3.500 K |
| Light colour | White |
| Light output | Direct |
| Luminous flux | 3,013 lm |
| System efficiency | 126 lm/W |
| Colour rendering | CRI > 90 |
| Reflector | Faceted |
| Reflektorfarbe | silver |
| Beam angle | 55° |
| Light sharing | Symmetric |
| Adjustable color temperature | |

| Operating technology of the luminaire | |
|---------------------------------------|--|
| Voltage type | AC |
| AC nominal voltage max | 230 V |
| Frequenz max. | 50 Hz |
| Lamp | LED |
| Lamp holder | LED |
| Protection class | II |
| Degree of protection | IP20 |
| Control | on/off |
| Bulb change possible | The light source of this luminaire may only be replaced by the manufacturer or a service technician commissioned by him or a similarly qualified person. |
| Rated life time L80/B50 at 25 °C | 50.000 h |

| Mounting technology | |
|-----------------------------|---|
| Mounting method | Recessed mounting |
| Place of installation | Ceiling-mounted |
| Adjustability | Not adjustable |
| Further references | No cover with thermal insulation material |
| Material cover | Plastic, transparent |
| Suitable for through-wiring | No |

| Packing data | |
|-------------------------|---|
| Gross weight | 0.935 kg |
| Length of packaging | 205 mm |
| Packaging width | 205 mm |
| Packaging height | 97 mm |
| Disposal at end of life | This product must not be disposed of with household waste. You are obliged, to dispose of such electrical waste separately. By disposing of electrical waste and other old or defective electronics separately, you support recycling or other forms of re-use. In that way you help to take care and to avoid that harmful substances get into the environment. |

| Accessories | |
|-------------|--|
| | |