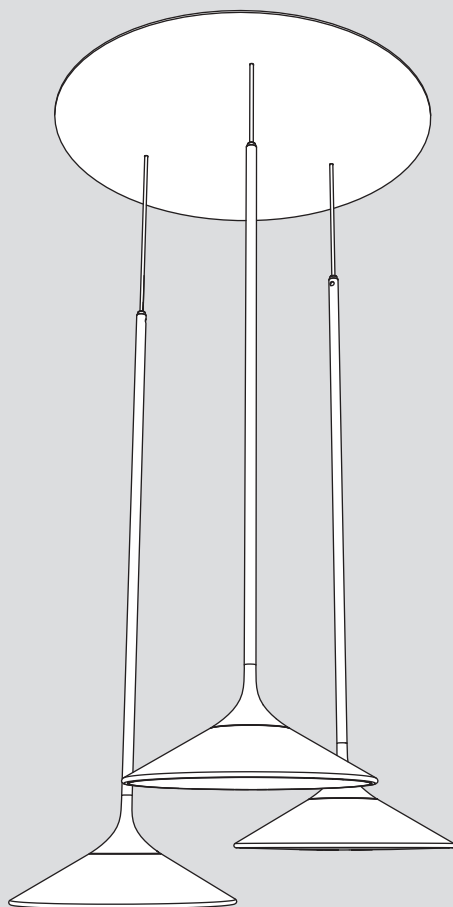


Artemide®

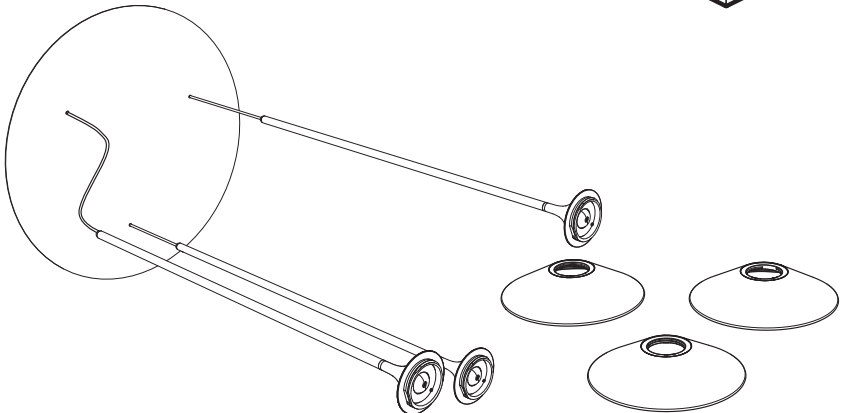
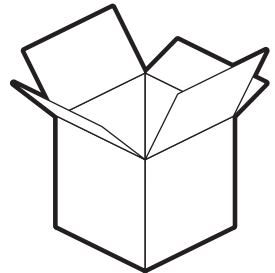
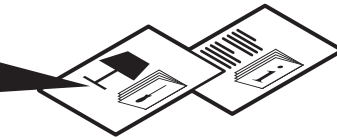
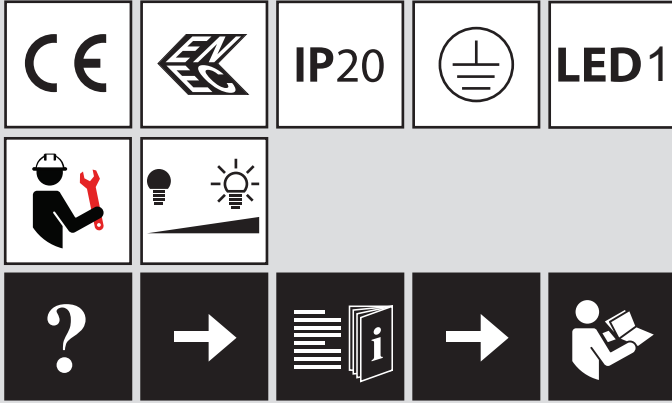
Orsa Cluster 3

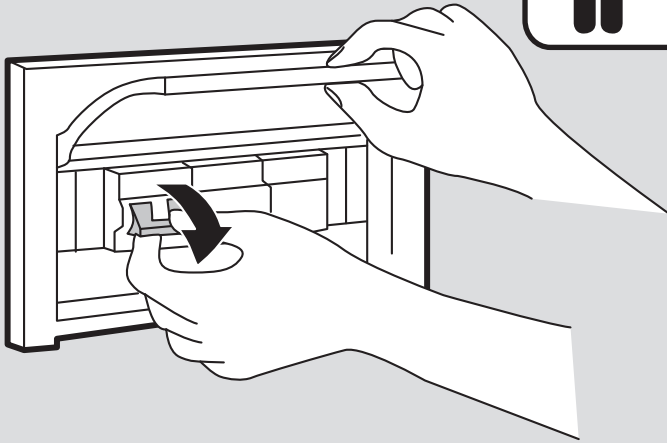
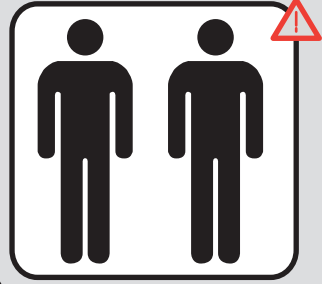
design
Foster + Partners



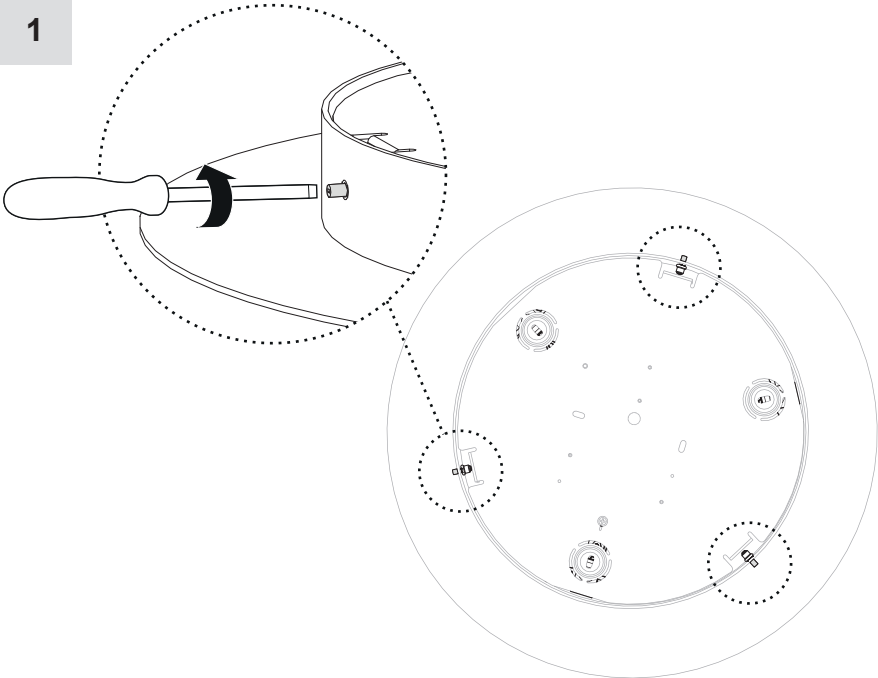


i

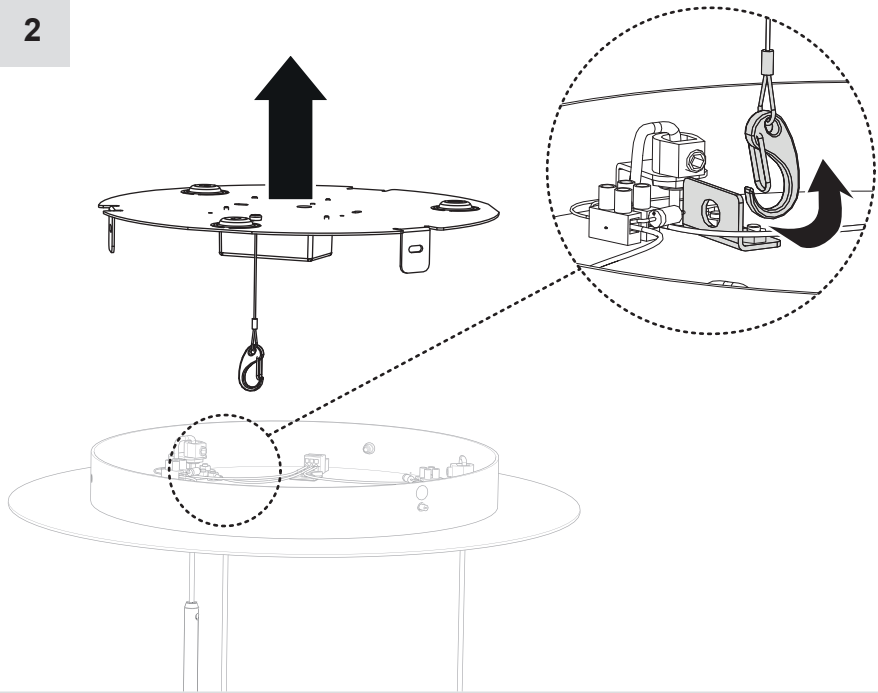




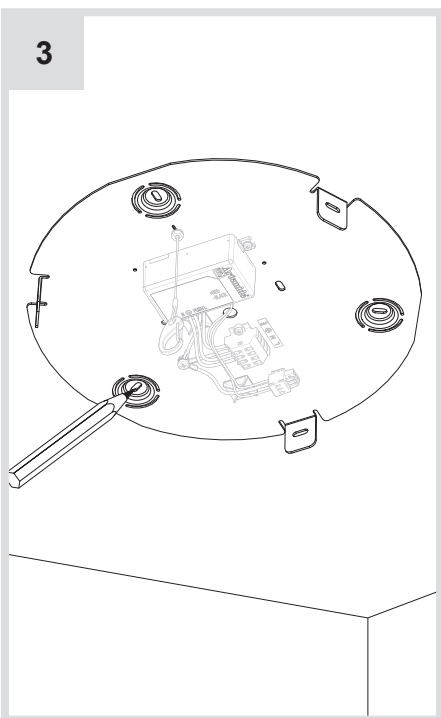
1



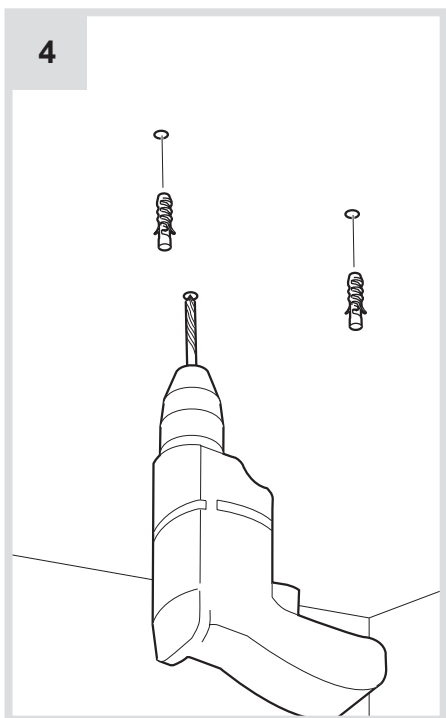
2



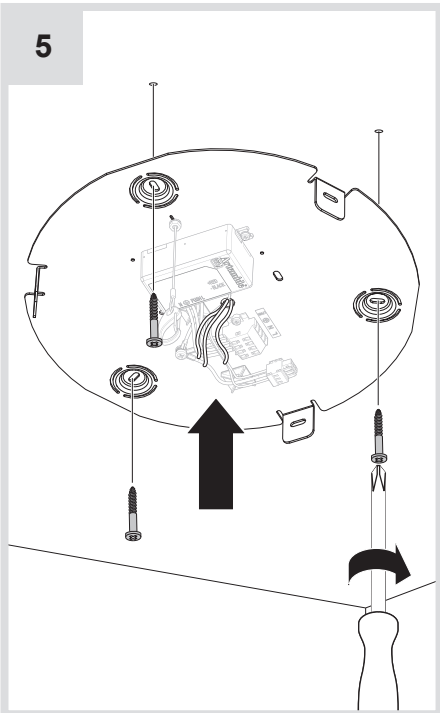
3



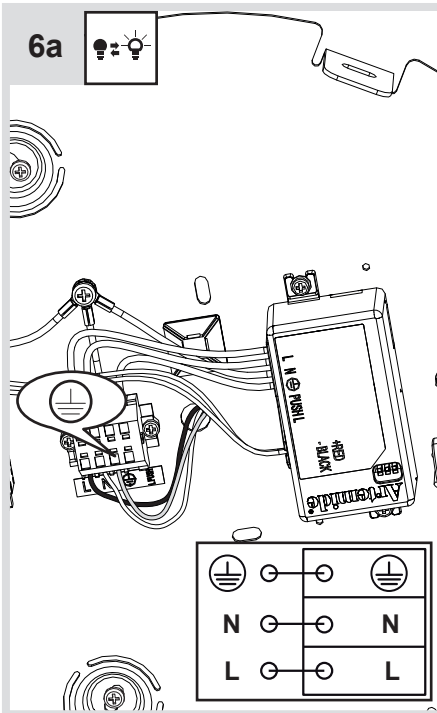
4



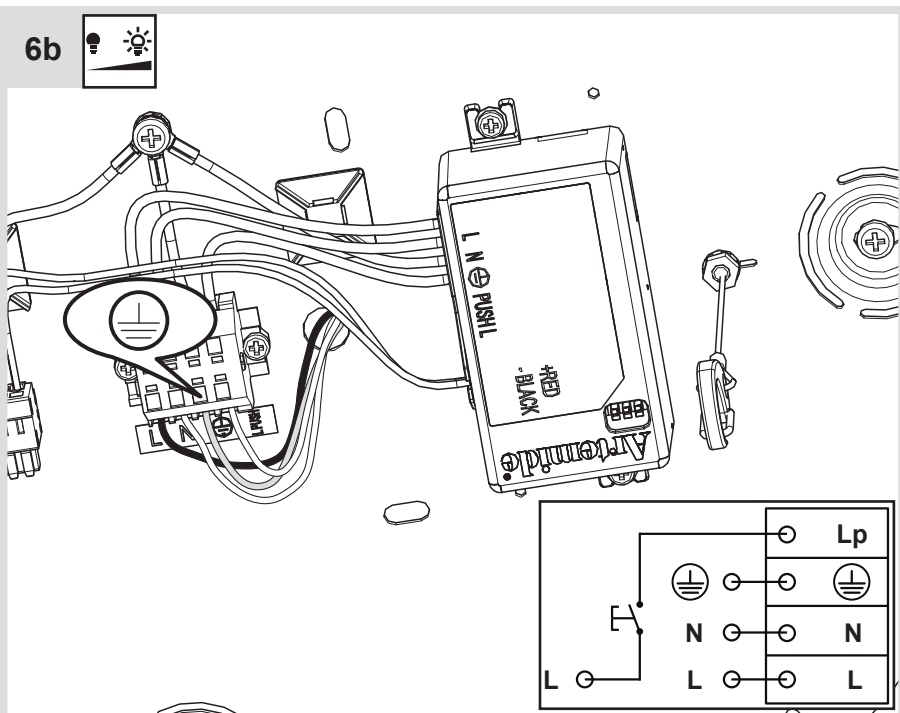
5

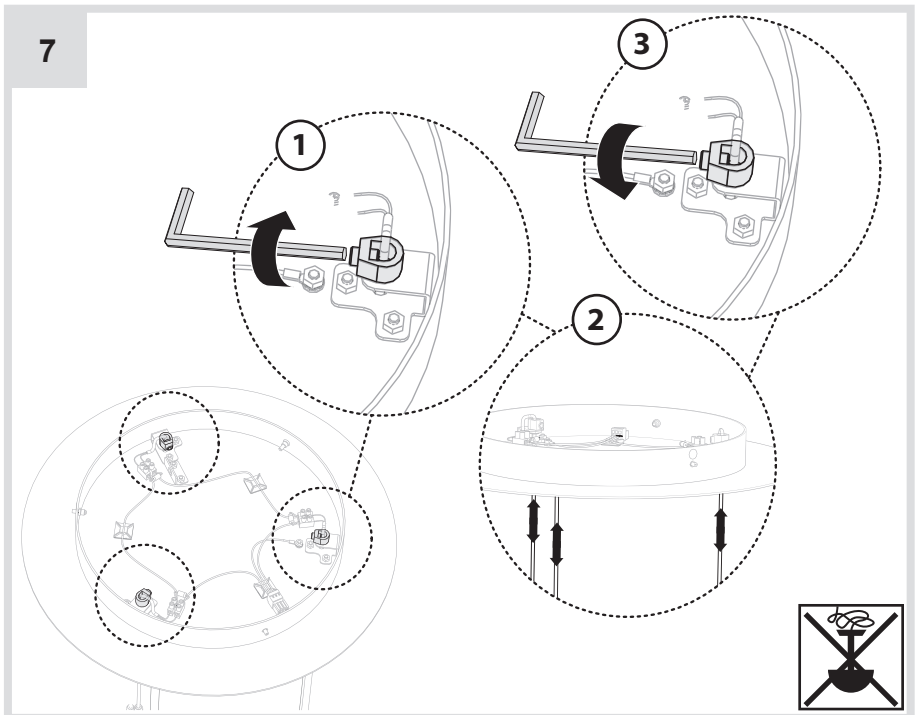
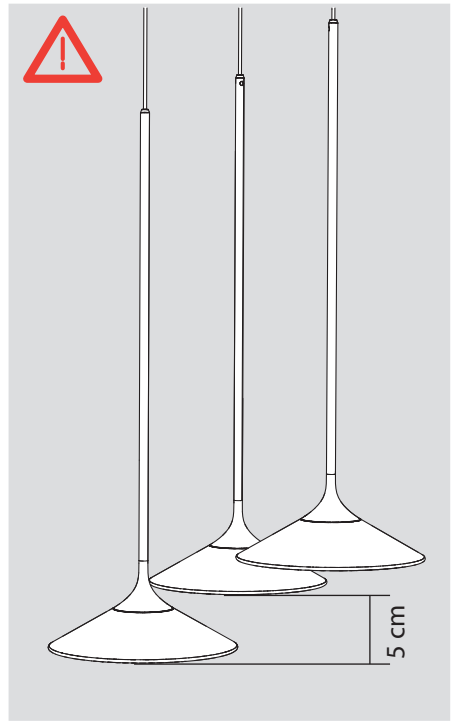
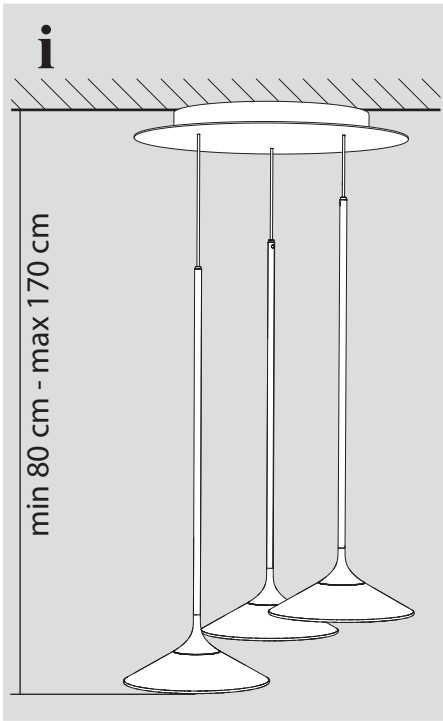


6a

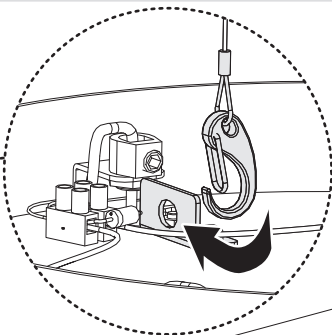
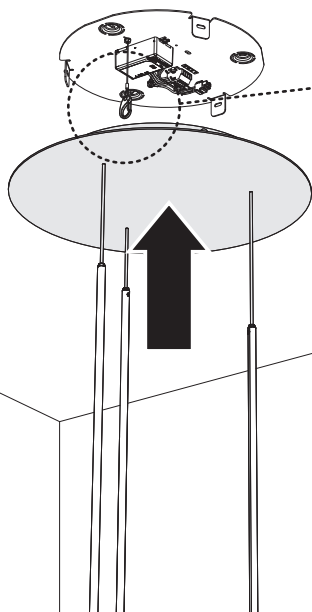


6b

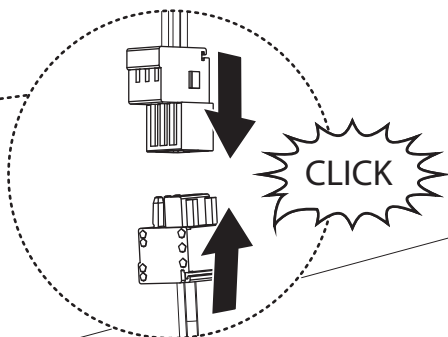
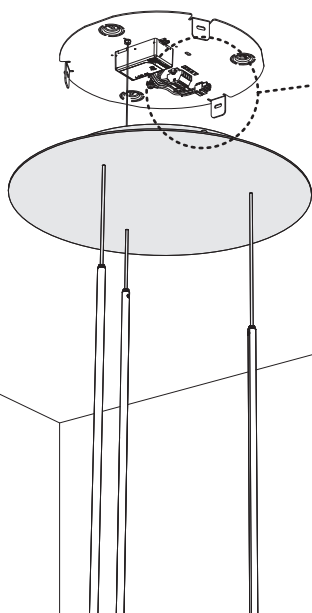




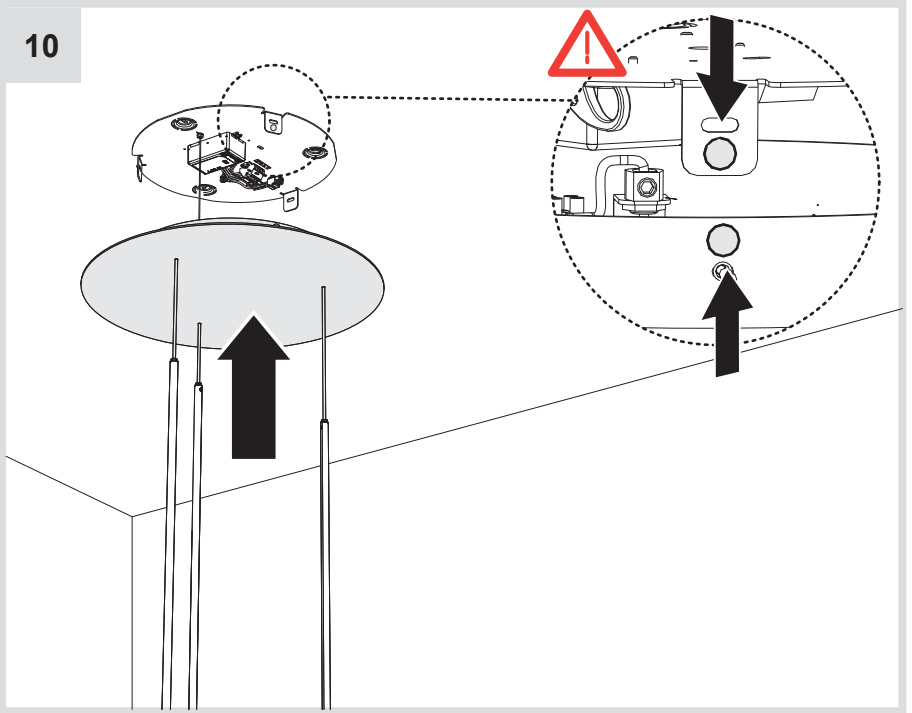
8



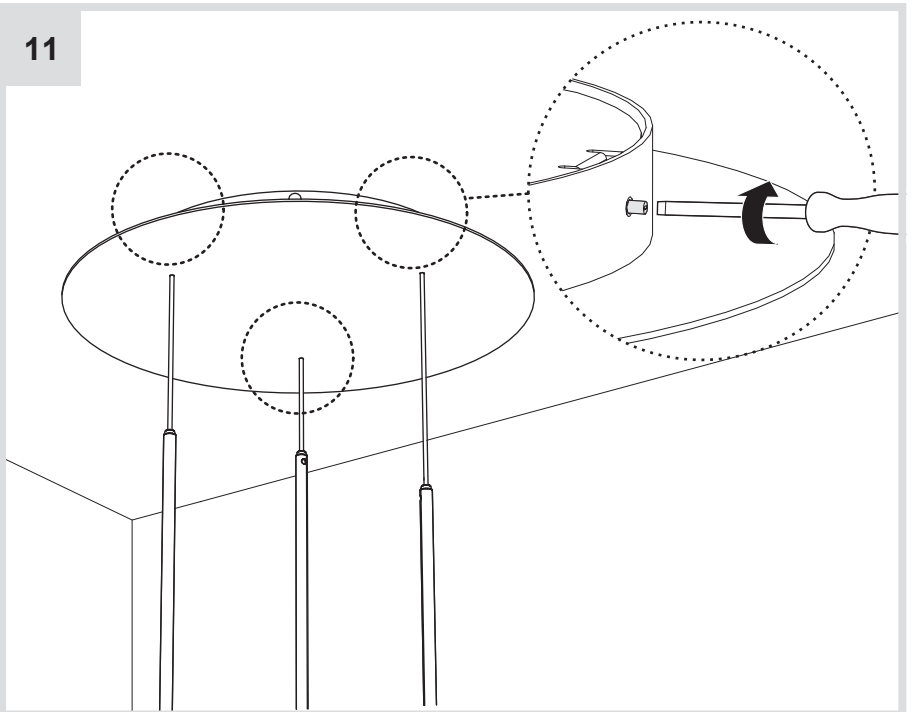
9

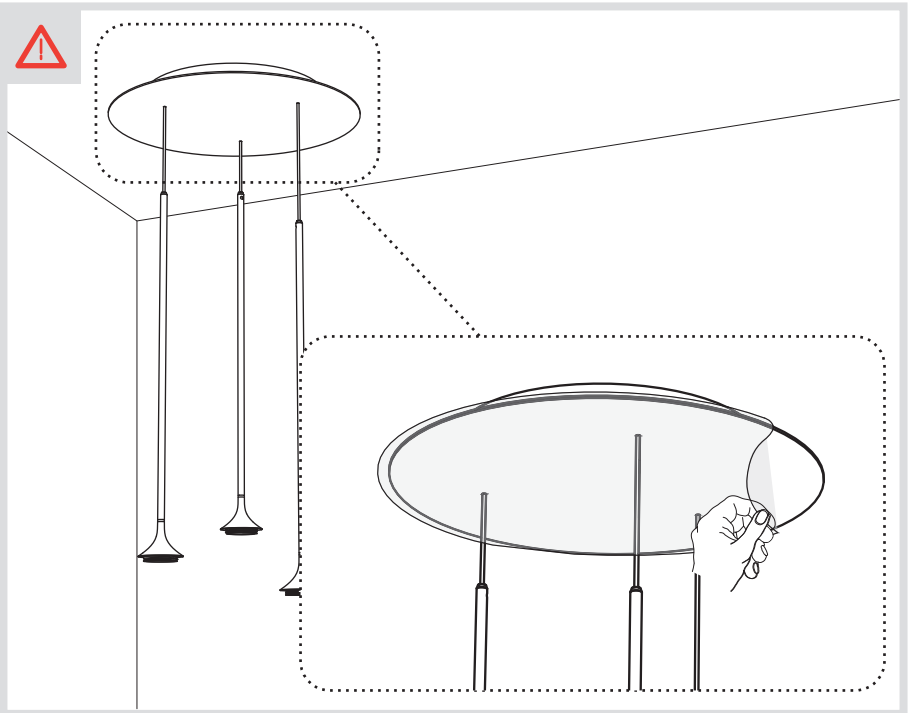
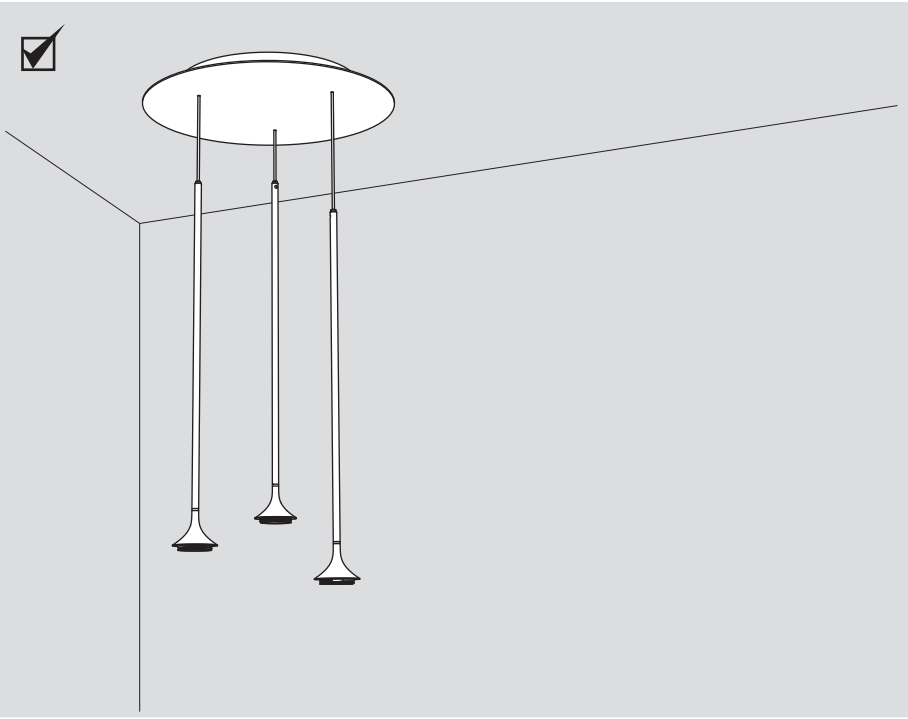


10

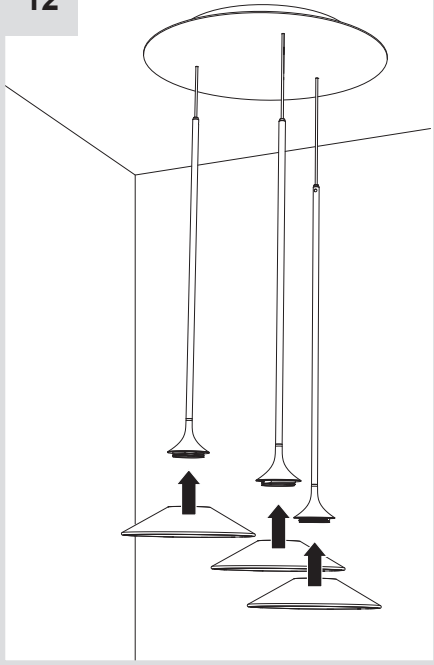


11

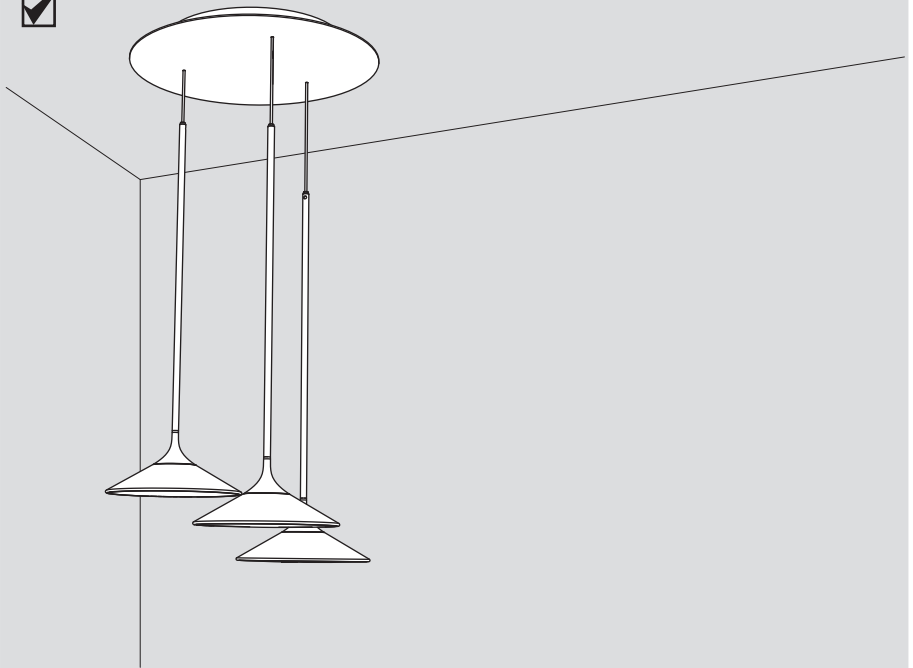
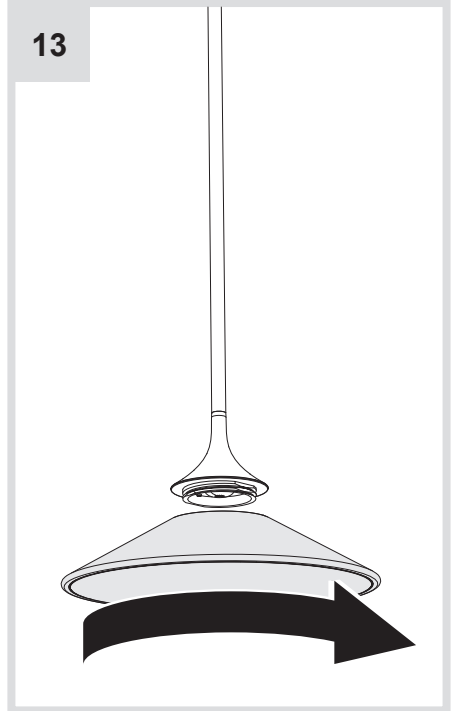


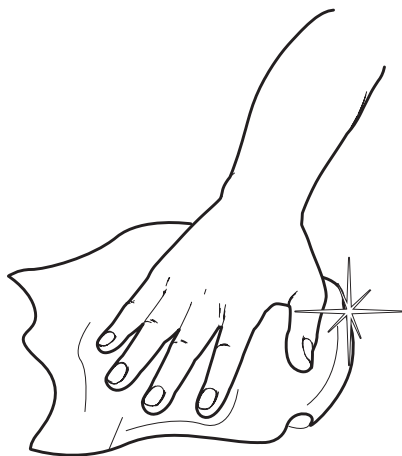


12

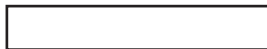


13





Artemide®



Artemide

via Bergamo, 18
20010 Pregnana M.se (MI)
ITALIA

tel. +39 02 935 181
fax +39 02 935 90 254
fax +39 02 935 90 496

www.artemide.com

VAT IT00846890150

cod. Y513000796