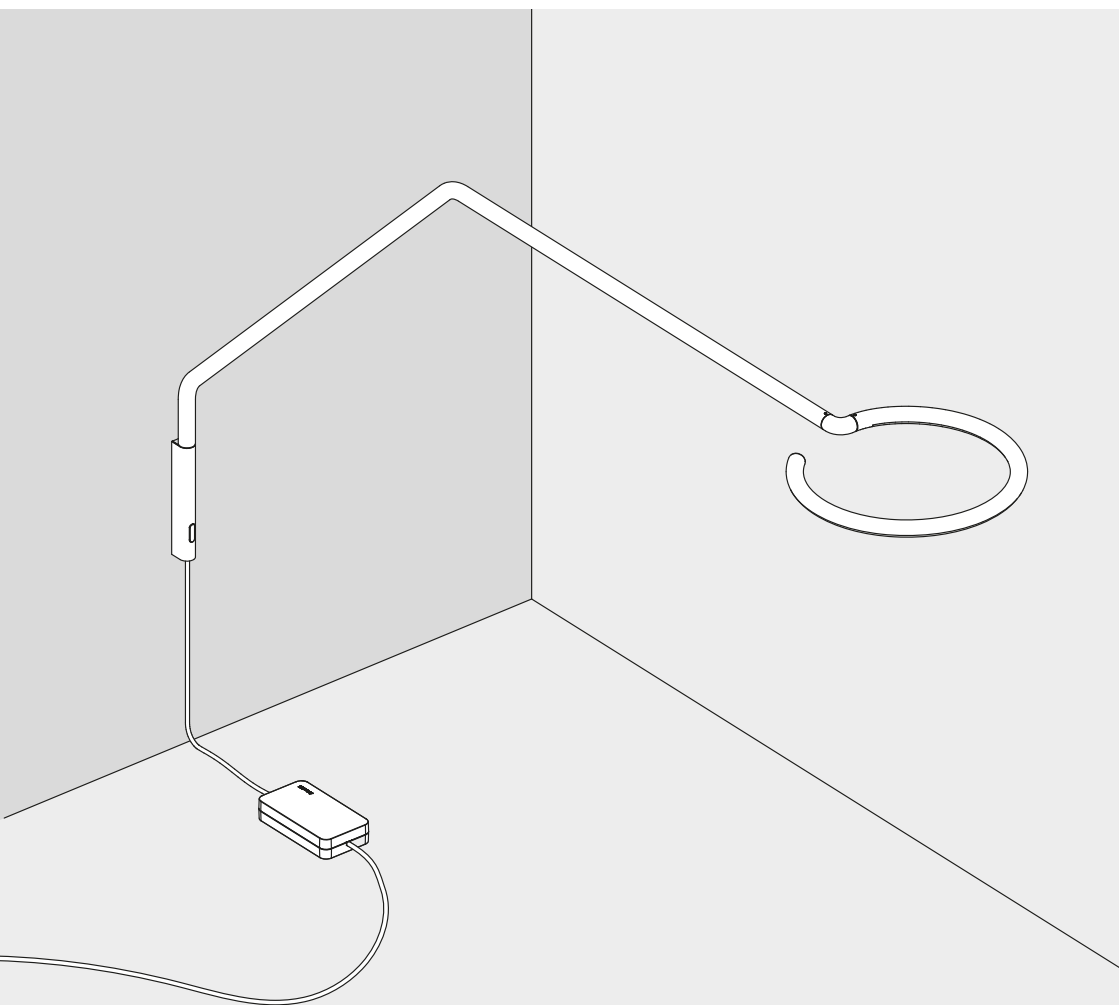


# Artemide®

## VINE LIGHT WALL L

design  
BIG





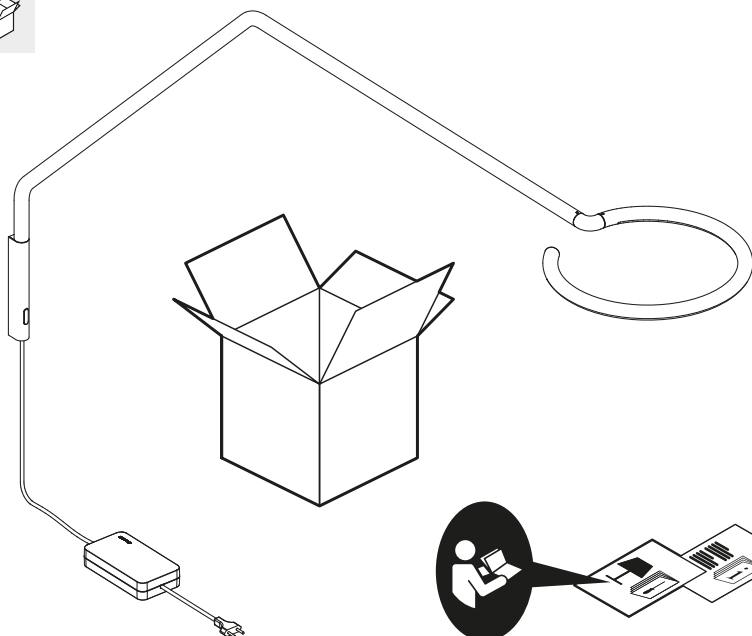
i

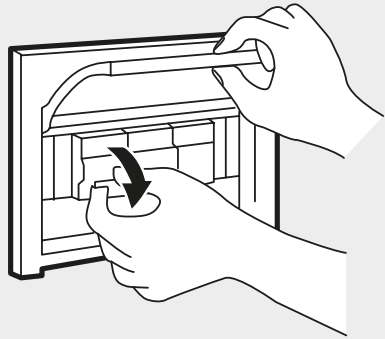
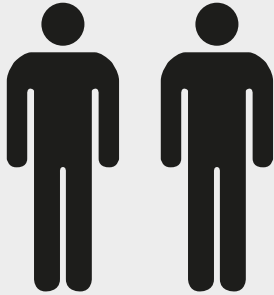
	IP20			LED1

GET IT ON  
Google Play

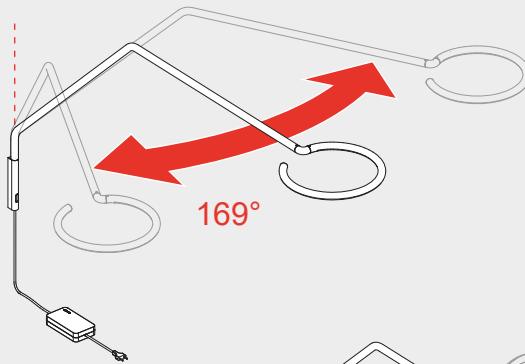
Download on the  
App Store

Artemide App  
Quick Starting Guide

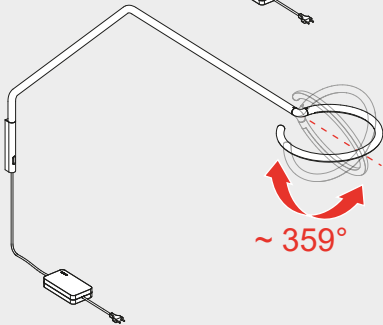




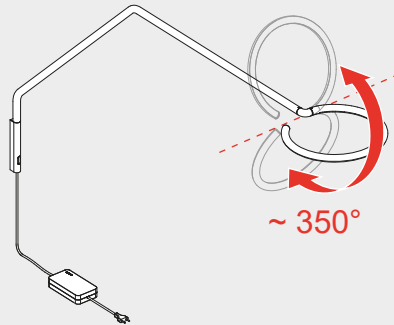
**i**



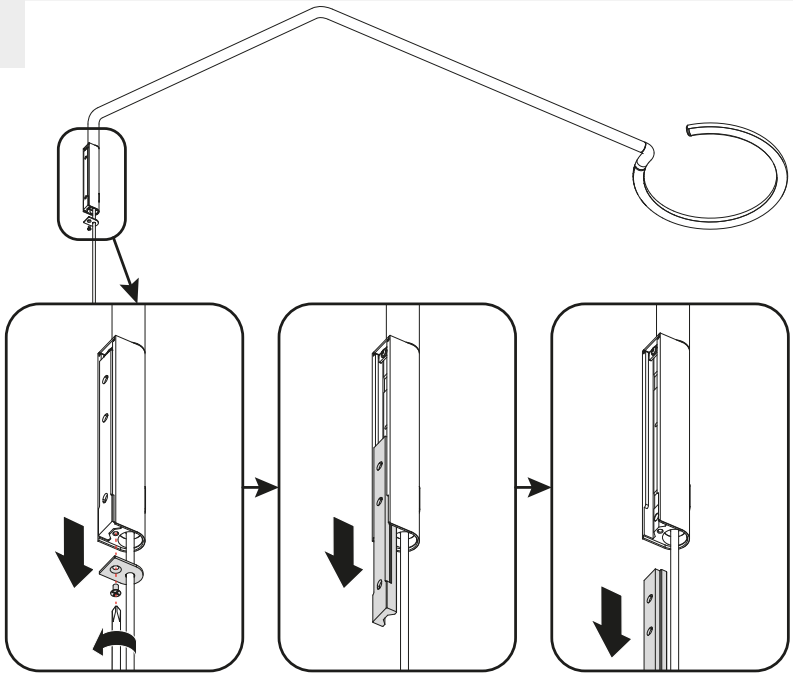
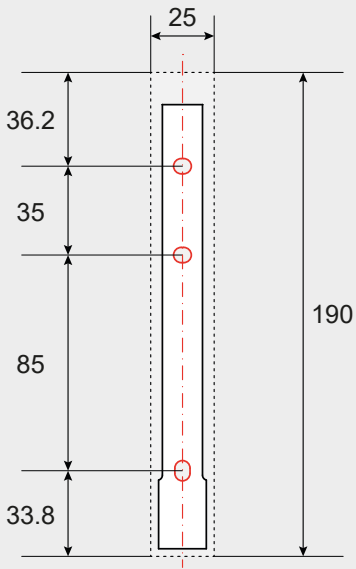
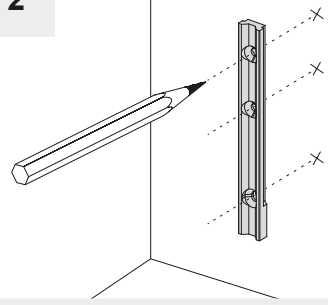
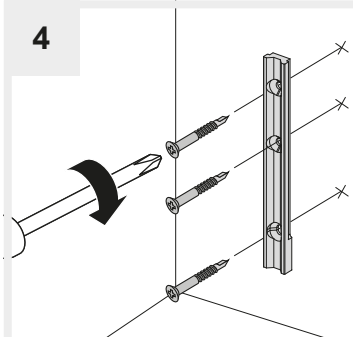
169°



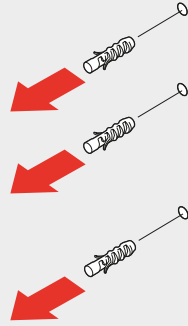
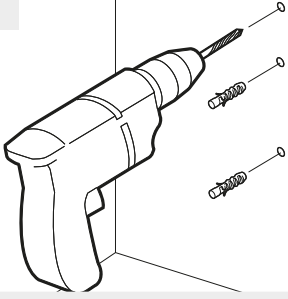
~ 359°



~ 350°

**1****i****2****4**

3



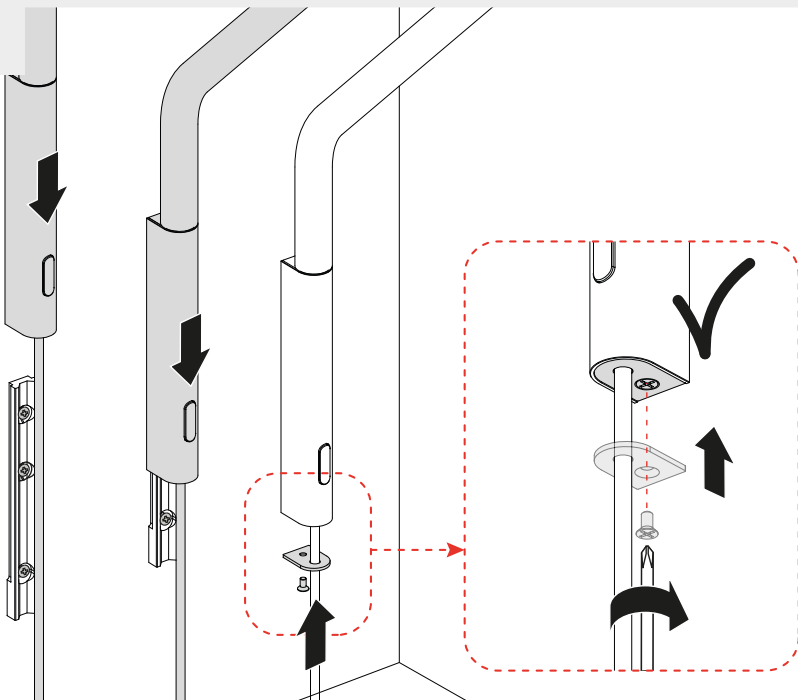
WORLDWIDE

 800 N

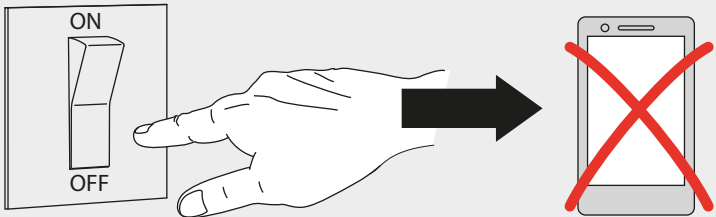
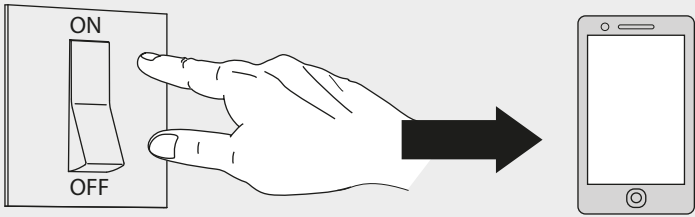
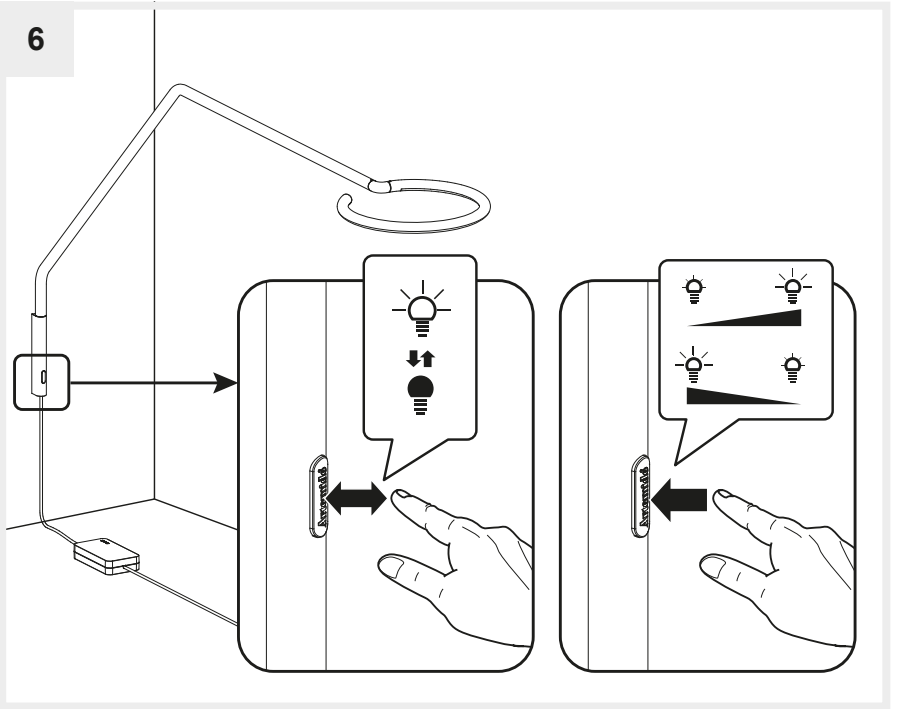
ONLY FOR  
USA / CANADA

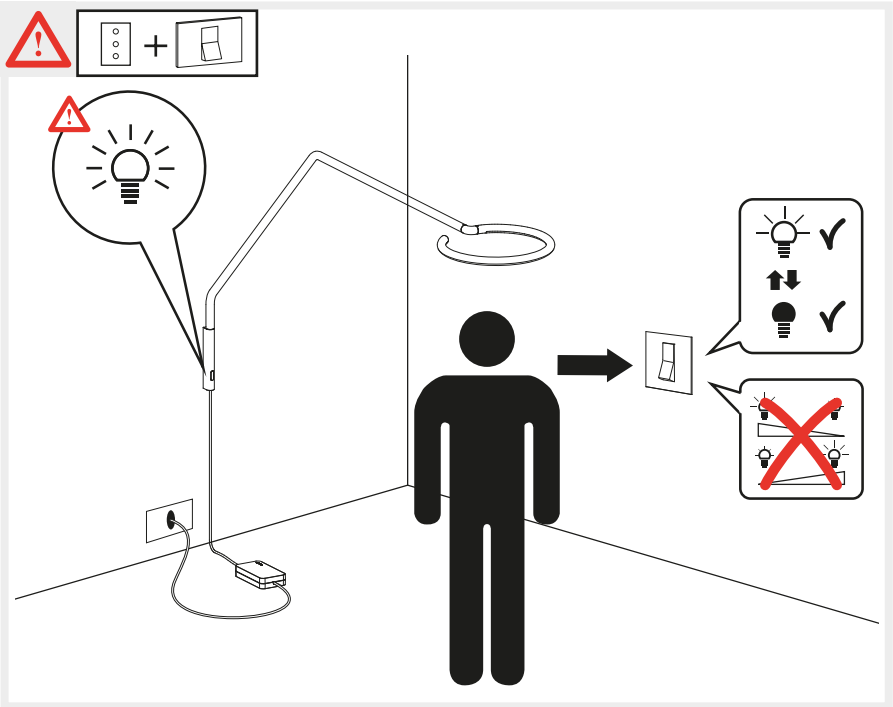
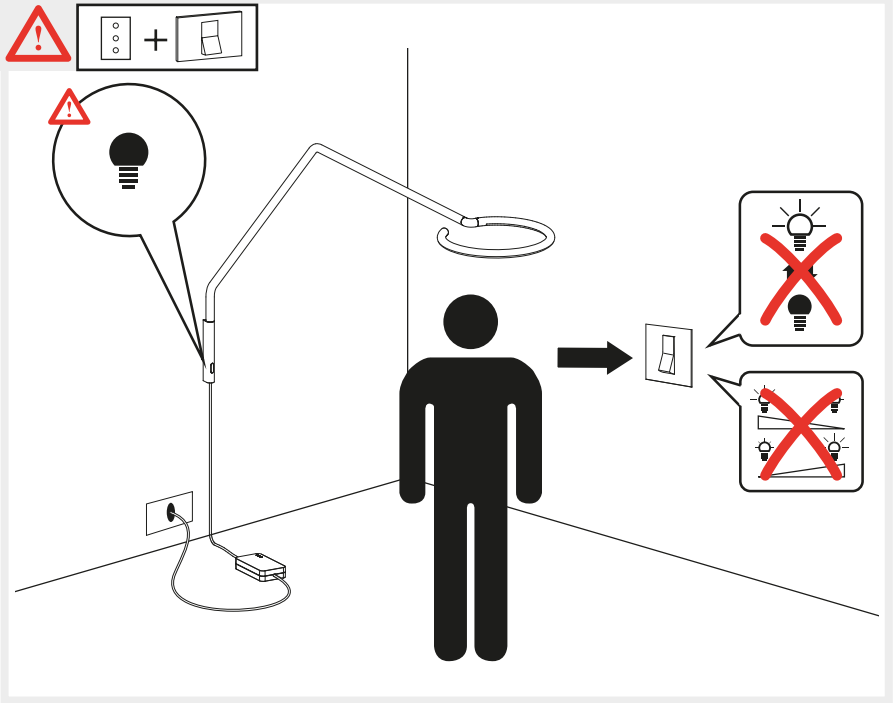
 1000 N

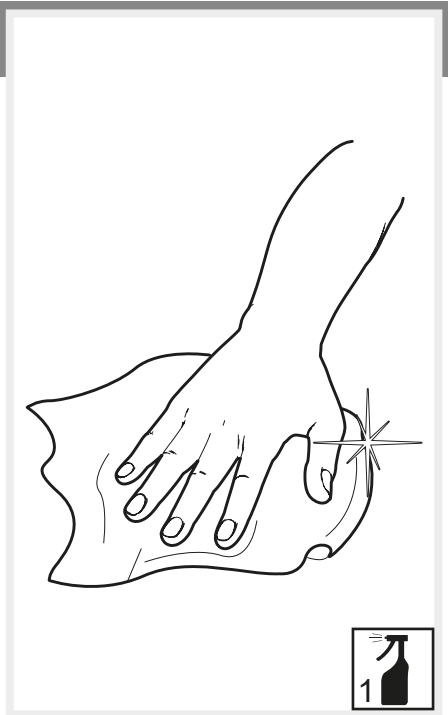
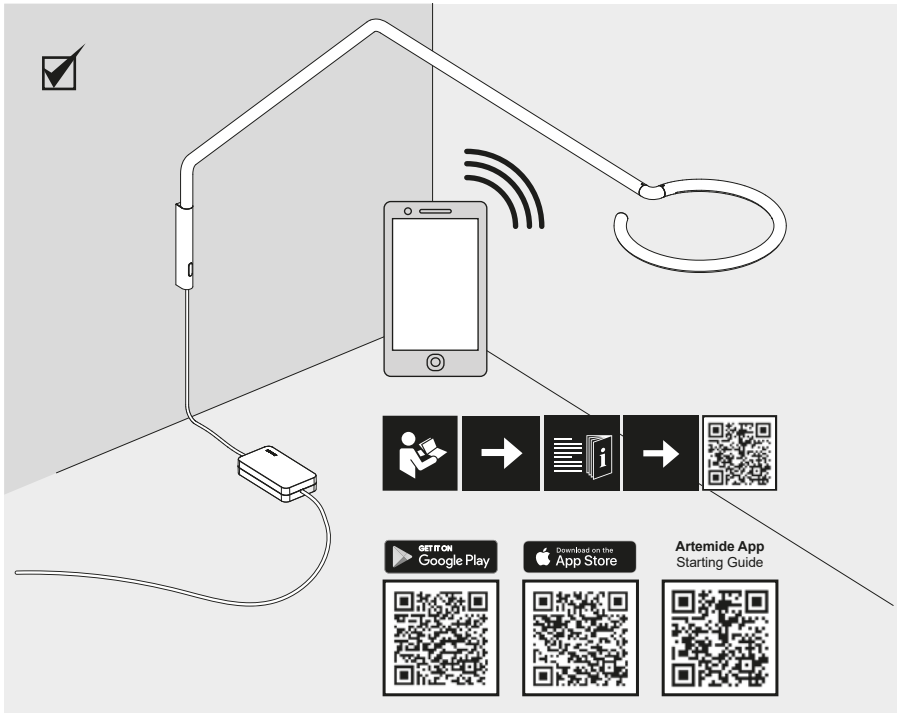
5



6







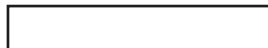








# Artemide®



## **Artemide**

via Bergamo, 18  
20006 Pregnana M.se (MI)  
ITALIA

tel. +39 02 935 181  
fax +39 02 935 90 254  
fax +39 02 935 90 496

[www.artemide.com](http://www.artemide.com)

VAT IT00846890150

## **Artemide Inc.**

250 Karin Lane  
Hicksville, NY 11801

tel. 631 694 9292  
Toll Free 1-877-Art-9111  
Fax 631 694 9275

[www.artemide.net](http://www.artemide.net)

## **Artemide Ltée/Ltd.**

11105 rue Renaude Lapointe  
Montréal, Québec H1J 2T4

Tel. 514 323 6537  
Toll Free 888 777 2783  
Fax 514 323 8864

[www.artemide.net](http://www.artemide.net)

cod. Y513001646