

PHILIPS

hue

Surimu

Panel light



i A

User manual

Benutzerhandbuch

Notice d'emploi

Manual de usuario

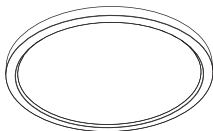
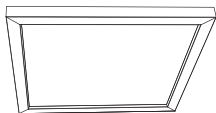
Manual do usuário

Manuale d'uso

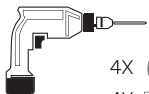
Incl.

A

B

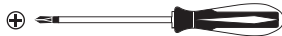


Excl.

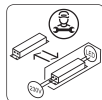
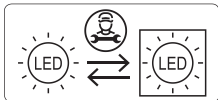
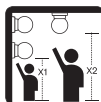
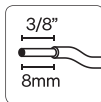
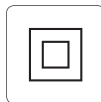
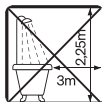
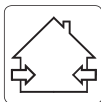


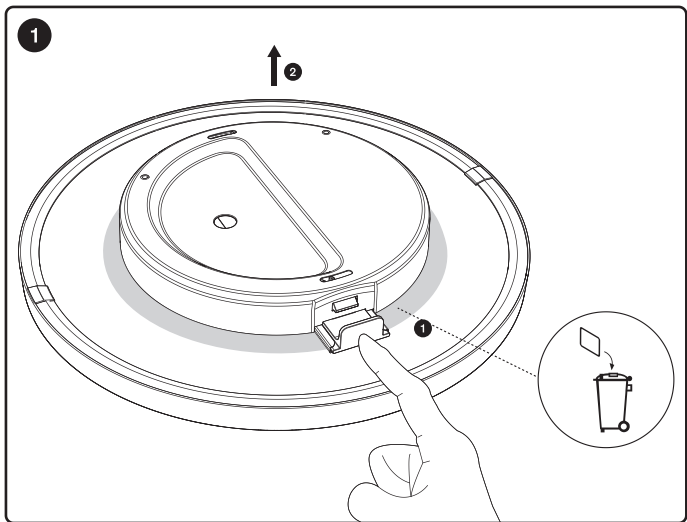
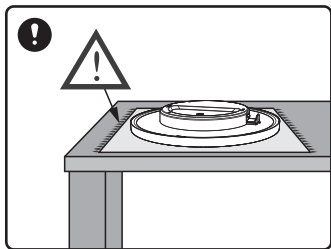
4X

4X



B

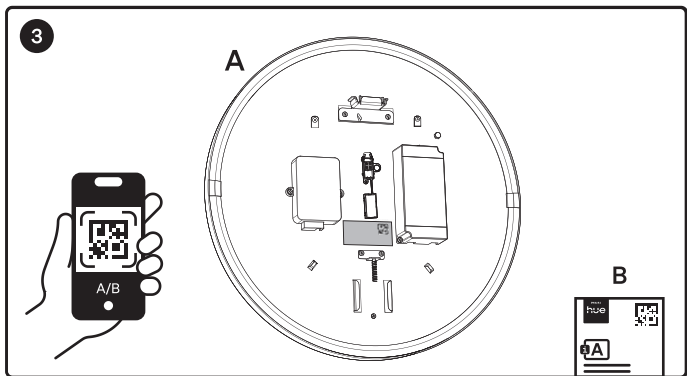




2

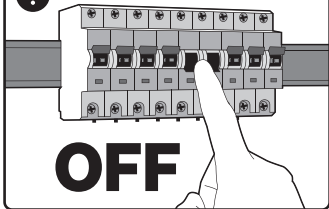


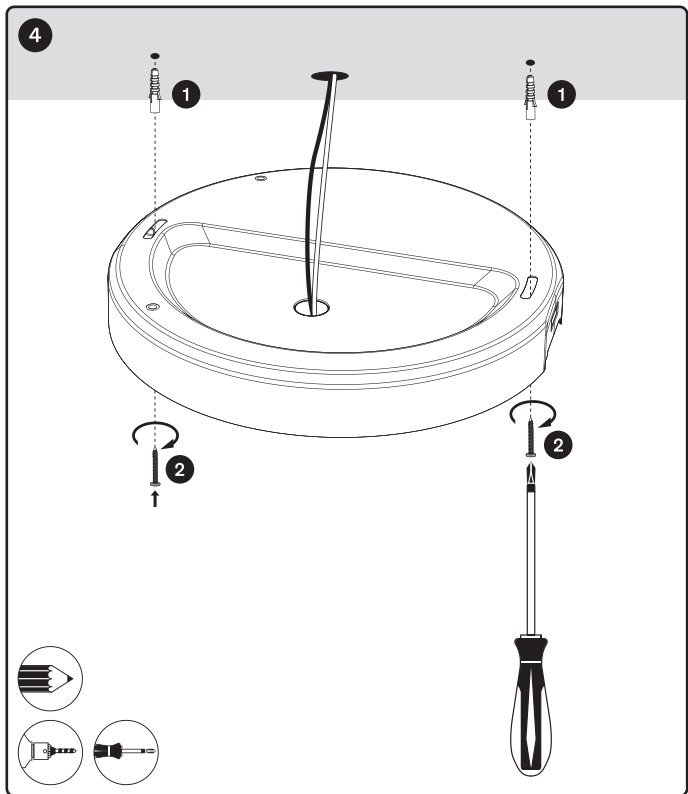
3



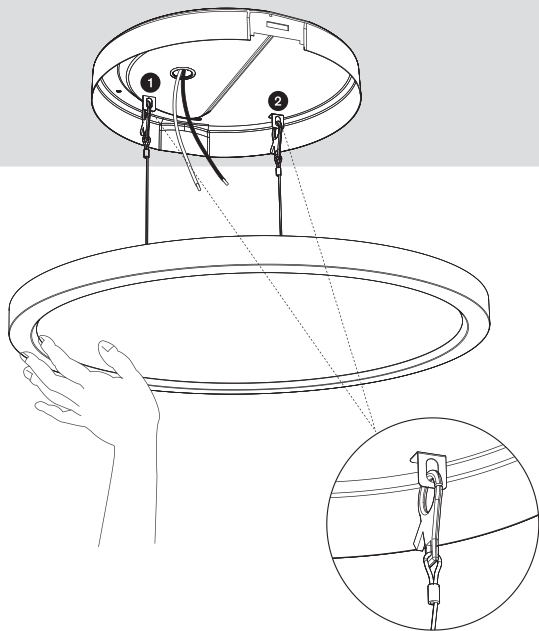


www.philips-hue.com/support

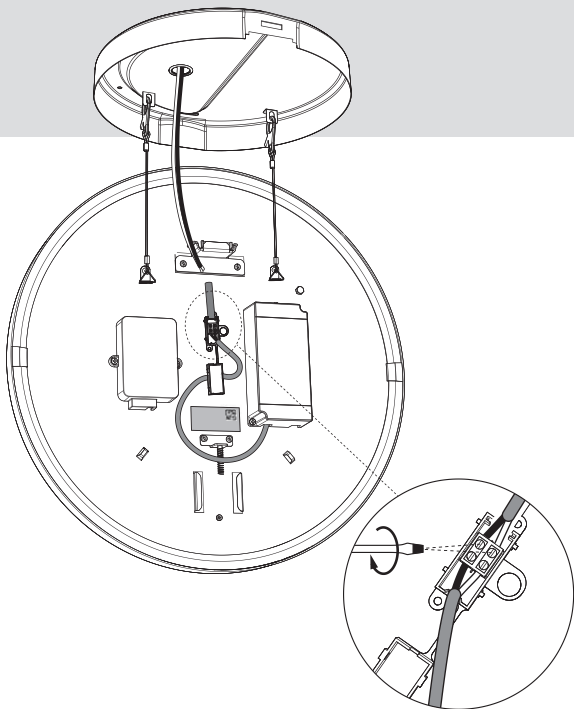


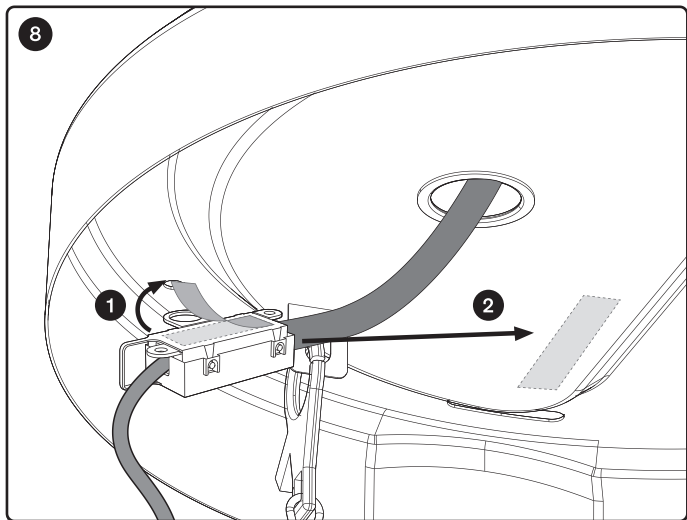
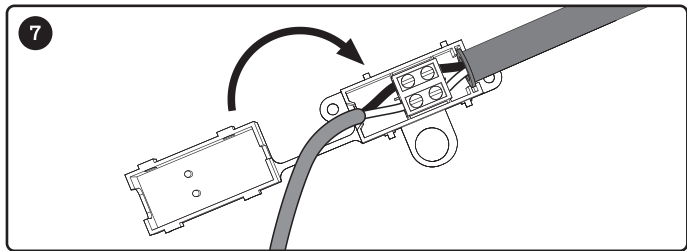


5

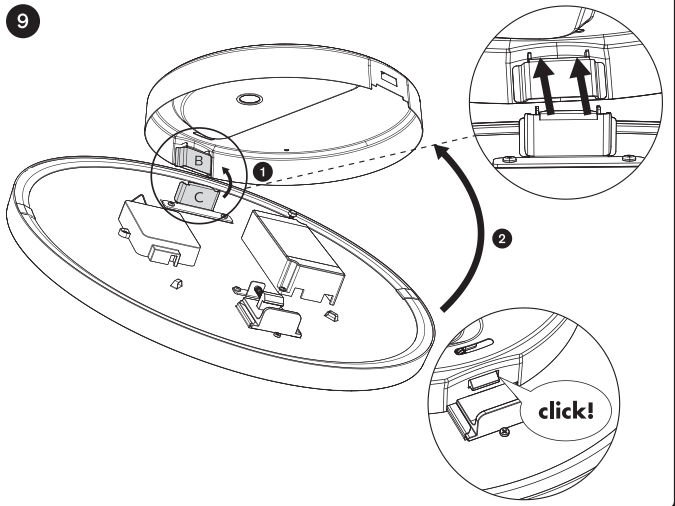


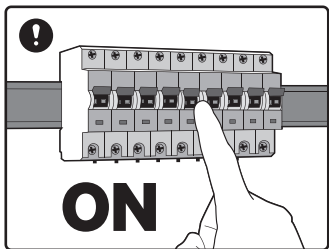
6





9







hue

Signify

I.B.R.S. / C.C.R.I. Numéro 10461
5600 VB Eindhoven,
the Netherlands
00800-74454775

© 2025 Signify Holding
All rights reserved

Last update: 01/2025

www.philips-hue.com

442296656211

