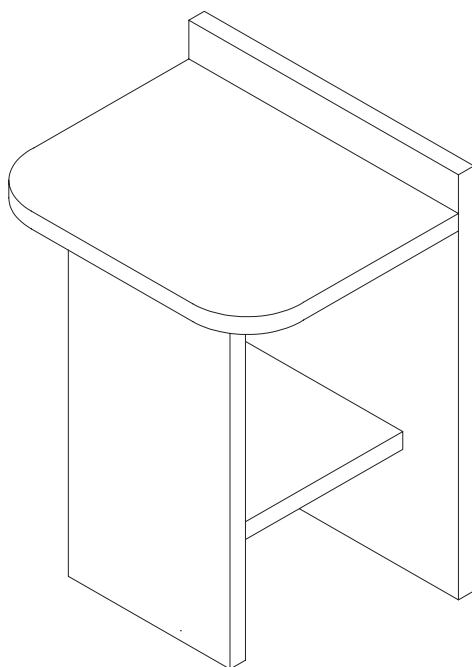


GEJST

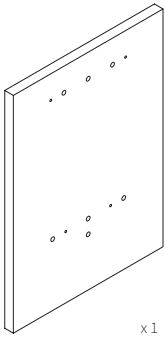
ISMO

By Sami Kallio

Instruction

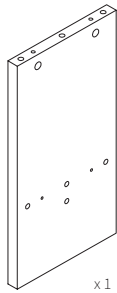


Content of the box



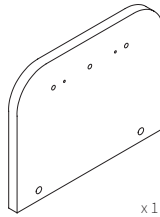
x1

A



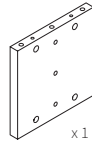
x1

B



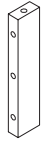
x1

C



x1

D



x1

E



x17

F



x8

G



x8

H



x8

I



x4

J

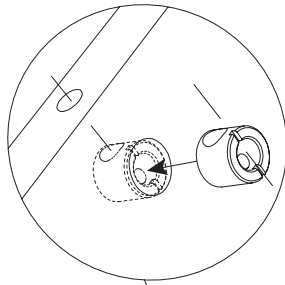


x1



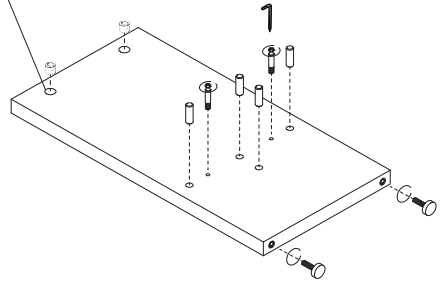
x1

GEJST

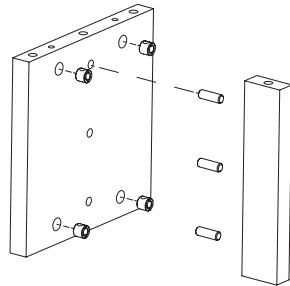


- ① Start by attaching the dowels (Part F), bushings (Part H), bolts (Part I) and feet (Part J) to the front panel (Part B).

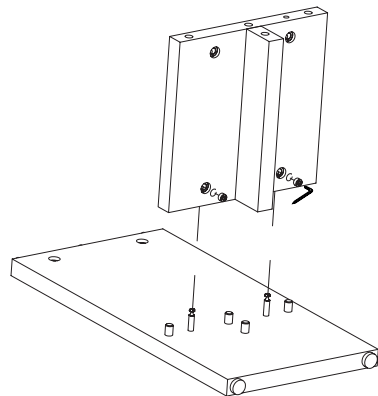
When inserting the bushings (Part H), make sure the holes are aligned.



- ② Insert the dowels (Part F) and bushings (Part H) in the bottom of the shelf (Part D) and connect the beam (Part E).



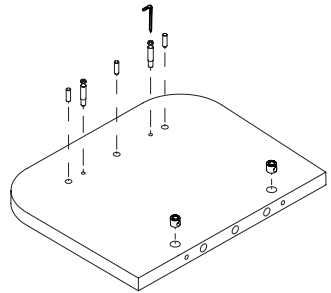
- ③ Place the shelf on the front panel (Part B) and tighten the screws (Part G).



GEJST

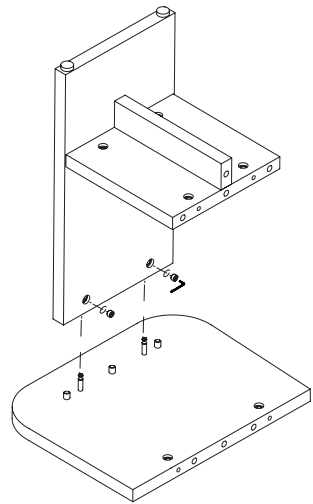
4

Insert dowels (Part F), bushings (Part H) and bolts (Part I) on the table top (Part C).



5

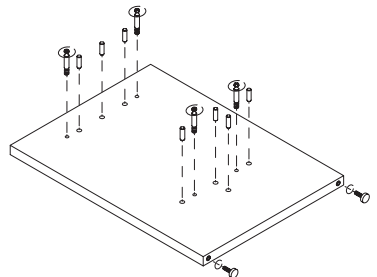
Join the table top (Part C) and the front panel and tighten the screws (Part G).



6

Insert the dowels (Part F) and bolts (Part I) on the back panel (Part A).

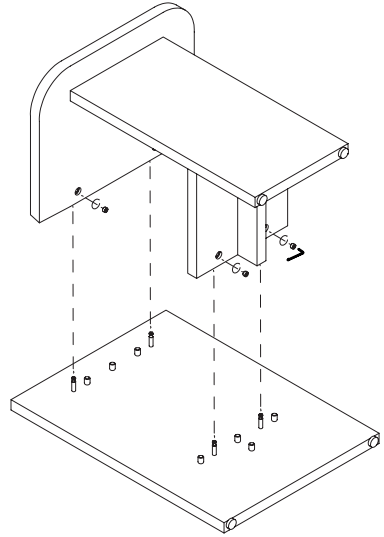
Attach the feet (Part J) on the back panel (Part A).



GEJST

7

Place the table top and shelf on the back panel and tighten the rest of the screws (Part G).



8

ISMO is now assembled.

Adjust the feet (Part J) if the floor is uneven.

