



817/BI SEGNALIBRO

design orlandini design, 2013

Reading, table lamp, indirect light, white lacquered metal. The lamp becomes based book, the book becomes lampshade and integral part of the lamp, the light and the book come in close symbiosis. The lamp almost disappears and the book becomes the aesthetic – decorative theme of the product. LED light source integrated. Electronic driver on the plug.

817/BI segnalibro

family:	segnalibro	Body Color:	<input type="radio"/>
Designers:	Orlandini Design	Body Materials:	metal
Utilization:	indoor	Diffuser Materials:	opal white methacrylate
Typology:	table lamps		



Market: This item is available in the following countries:
EUROPE

Dimensions

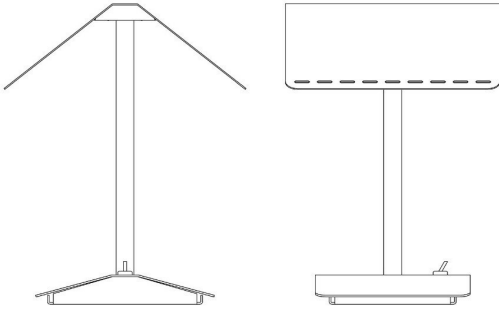
Width:	18 cm	Hole Diameter:	-
Height:	25 cm	Hole Depth:	-
Length:	20 cm	Net weight:	1,1 Kg
Depth:	-		
Diameter:	-		

Light Source

Watt:	6W
Lumen:	600 lm
Light Source:	led
CRI:	>90
duration:	50000
CCT:	3000K
Energy degree:	A++

Device Specifications

Type of emission:	indirect	Power cable length:	200 cm	Driver:	included
Power:	-	Steel cable length:	-	Power supply assembly:	external
Light output:	-	Glow Wire Test:	-	Power supply:	electronic driver on the plug
Beam angle:	-	Impact Resistance:	-	Type of dimming:	-
				Voltage:	230V



Dimensions

Width: 18 cm
Height: 25 cm
Length: 20 cm
Depth: -
Diameter: -

Hole Diameter: -
Hole Depth: -
Net weight: 1,1 Kg



SEGNALIBRO 817/BI

design orlandini design, 2013

