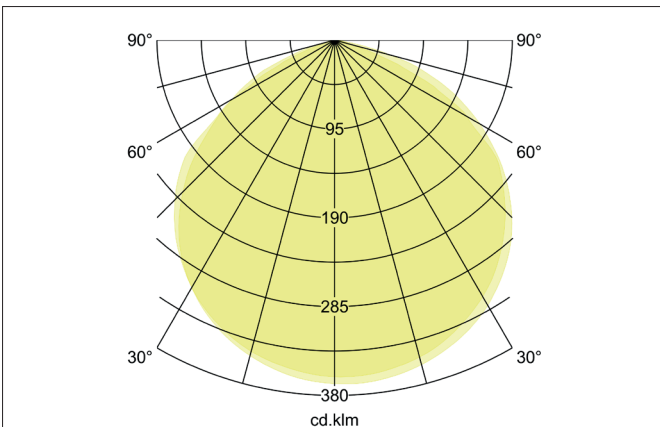
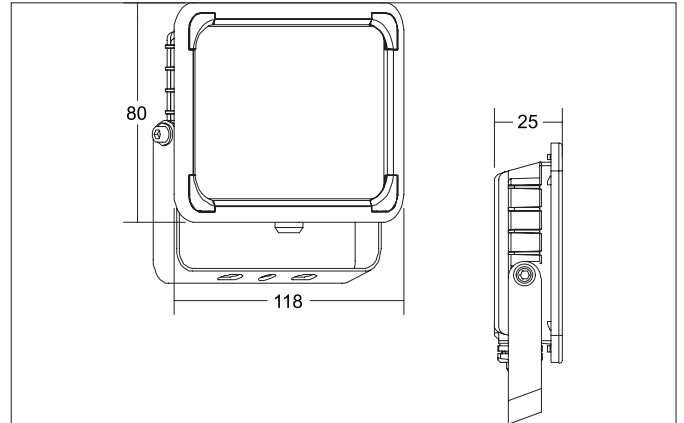


NEO LED Floodlight, IP65
Article no. 60812183

Light.
For Generations.



Tender
LED Floodlight, IP65, Rectangular. Luminaire length 115.0 mm, Luminaire width 80.0 mm, Hight 25.0 mm Weight 0.28 kg, with rotations-symmetrical, deep, wide distributed light intensity. optimal light distribution due to a glass transparent cover. Luminous flux 2.380 lm, UGR < 25, Power 20 W, System Efficiency 119 lm/W, Light colour warm white, Correlated color temprature (CCT) 3.000 K, Colour rendering index CRI > 80, Rated life time L80/B10 at 25 °C: 50000 h, Housing material: Aluminium / Glass, Colour: Black, Permissible ambient temperature (ta): -20 °C - +25 °C, Protection class (EN 61140): I, Degree of protection (DIN EN 60529): IP65, shock resistance according to IEC62262: IK08 . With electronic driver, on/off switchable.

Article data	
Article no.	60812183
GTIN	4251433971757
Series name	NEO
Short description	LED Floodlight, IP65
Material	Aluminium / Glass
Colour	Black
Type of surface	Structure
Shape	Rectangular
Length	115 mm
Width	80 mm
Hight	25 mm
Scope of delivery	incl. converter for connection to 230 V mains voltage and connection cable 1,000 mm
Weight	0.280 kg

NEO LED Floodlight, IP65

Article no. 60812183

Light.
For Generations.

Lighting technology	
Colour temperature	3000 K
Light colour	White
Light output	Direct
Luminous flux	2,380 lm
System efficiency	119 lm/W
Colour rendering	CRI > 80
Luminaire optics	Lens
Reflector	Other
Beam angle	120°
Glare evaluation	UGR < 25
Light sharing	Symmetric

Operating technology of the luminaire	
Voltage type	AC
AC nominal voltage max	230 V
Frequenz max.	50 Hz
Lamp	LED
Protection class	I
Degree of protection	IP65
Control	on/off
Bulb change possible	The light source of this luminaire may only be replaced by the manufacturer or a service technician commissioned by him or a similarly qualified person.

Mounting technology	
Mounting method	Surface mounting
Place of installation	Wall-mounted
Adjustability	Pivoted
Impact resistance	IK08
Material cover	Glass transparent
Suitable for through-wiring	No

Packing data	
Gross weight	0.318 kg
Length of packaging	160 mm
Packaging width	120 mm
Packaging height	30 mm
Disposal at end of life	This product must not be disposed of with household waste. You are obliged, to dispose of such electrical waste separately. By disposing of electrical waste and other old or defective electronics separately, you support recycling or other forms of re-use. In that way you help to take care and to avoid that harmful substances get into the environment.

Accessories	
-------------	--