


INSTALLATION MANUAL EN

A qualified person may be required for installation.

The product can be used outdoors if the symbol on the light is IP44 or IP54. In other cases, the product should only be used indoors. A lamp that uses wooden elements may only be installed in heated rooms.

It is recommended to use a 3 x 1.5mm² YDY power cord in a double cover.

Assembly:

1. Connect both parts of the lampshade with the plastic nut.
2. Unplug the power cord.
3. Insulate the power cables to a length of 6 mm.
4. Loosen the captive screws on the sides of the mounting rail and pull out the base.
5. Screw the base to the ceiling. Make sure your arms are at a 90 degree angle to each other.
6. Connect the power wires to the appropriately marked terminals on the plug - brown live (L) and blue neutral (N).
7. Connect the protective conductor (green-yellow) to the protective terminal marked with the symbol  on the metal base inside the housing
8. Screw the headliner to the base.

Maintenance:

Work related to maintenance and bulb replacement should be performed with the power disconnected and after waiting for the bulb to cool down. After disassembling and disconnecting the power supply, clean the lampshade with a soft cloth.

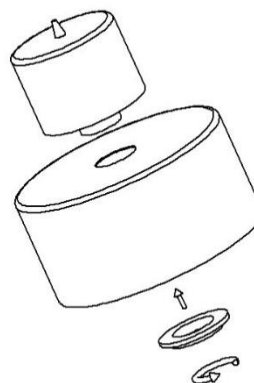
2 year guarantee:

1. The warranty extends over a period of 2 years from the date of purchase in Poland and is only valid with proof of purchase - receipt or invoice.
2. The warranty does not cover damage caused by power surges, lightning strikes and mechanical damage.
3. The warranty is only valid if the fitting has been manufactured by a person with appropriate electrical rights and includes repair or replacement of the product for one free from defects or a refund of the amount paid.
4. If a defect is found, the product must be sent to the following address: Temar sp. z o.o. 39-300 Mielec, ul. Inwestorów 12 or back to the place of purchase. The repair should not take longer than 14 working days.
5. The guarantee does not exclude, limit or suspend the buyer's rights under the provisions of the guarantee for defects in the item sold.

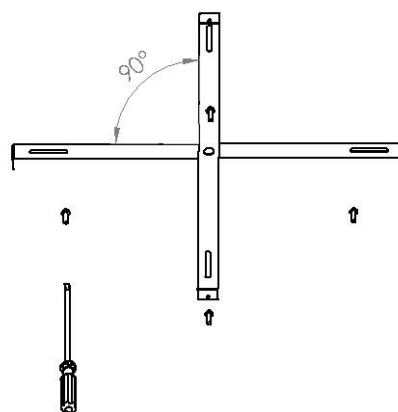


 - selective collection of electronic devices

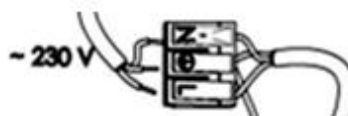
1



2



3



4

