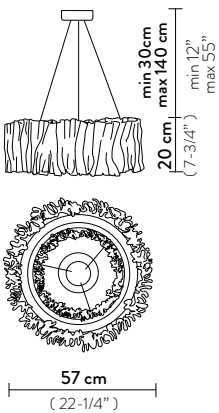


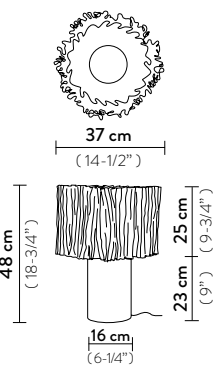
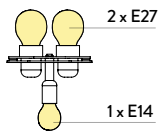


PRODUCT / PRODOTTO	DIMENSION / MISURE	COLOUR / COLORE	CODE / CODICE
<b>SUSPENSION</b> <b>LED:</b> 52W - 200~240V - 5.900 Lumen 2700 Kelvin or 3.000 Kelvin <b>Dimmable with:</b> PWM / 0-10 <b>With:</b> Hand modulated diffusor <b>Made of:</b> Lentiflex® / Goldflex® or Steelflex® <b>Weight:</b> net Kg 4 - gross Kg 6 <b>Package:</b> 63 x 64 x h. 34 cm		<input type="checkbox"/> WHITE - 2700K	ACR97SOS2702PW000
		<input type="checkbox"/> WHITE - 3000K	ACR97SOS3002PW000
		<input type="checkbox"/> SILVER - 2700K	ACR97SOS2702PS000
		<input type="checkbox"/> SILVER - 3000K	ACR97SOS3002PS000
		<input type="checkbox"/> GOLD - 2700K	ACR97SOS2702PG000
		<input type="checkbox"/> GOLD - 3000K	ACR97SOS3002PG000
ADDITIONAL DIMMING SYSTEM <b>DALI, BLUETOOTH, CASAMBI, TRIAC</b> UPON REQUEST			
<b>TABLE</b> <b>Bulbs E27 + E14:</b>  2 X 12W E27 LED  + 1X 6W E14 LED <b>With:</b> Two position light switch Hand modulated diffusor Magnetic System® <b>Made of:</b> Cristalflex® / Lentiflex® <b>Weight:</b> net Kg 2,6 - gross Kg 4,5 <b>Package:</b> 61,5 x 46 x h 34,5 cm		<input type="checkbox"/> PRISMA	ACR97TAV0002PW000
			

## CANOPY DETAILS



### ACCORDÉON

Ø 16 cm x h. 3,5 cm (Ø 6-1/4" x h.1-1/2")



6m. cable kit must be ordered with lamp purchase

*Kit Cavi da 6m da richiedere tassativamente in fase di ordine*

*Kit di installazione multipla su richiesta*

*Multiple installation kit on request*

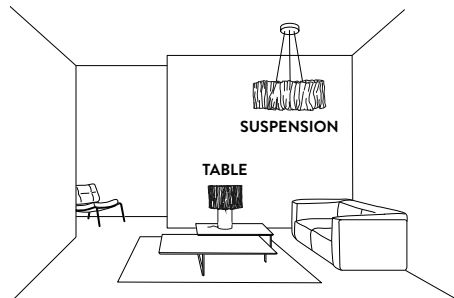
## CERTIFICATION

CE IP 20  

ENERGY CLASS: A / A+ / A++

ENERGY LABEL AVAILABLE ON SLAMP'S WEBSITE

## ACCORDÉON ENTIRE COLLECTION



## FINISHES



GOLD

SILVER

WHITE