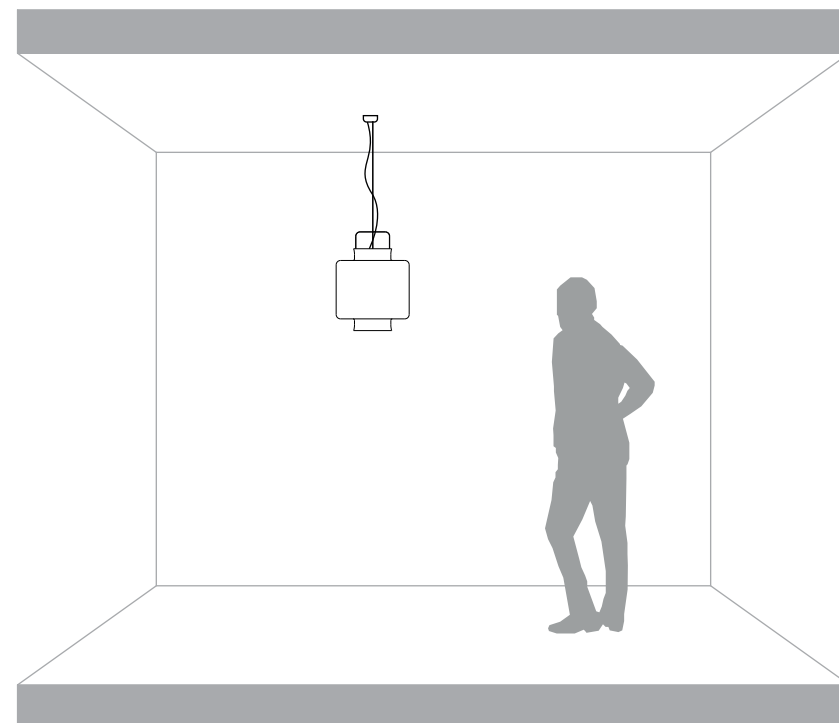


KIMONO

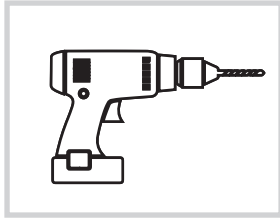
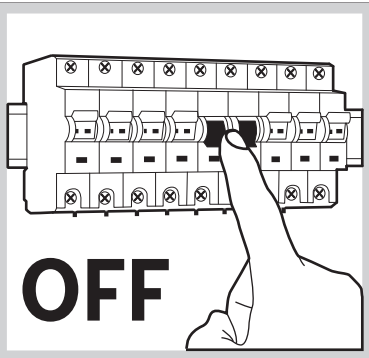
SE635V-INT
SE636V-INT

220-240 V.
max 1x105W - E27

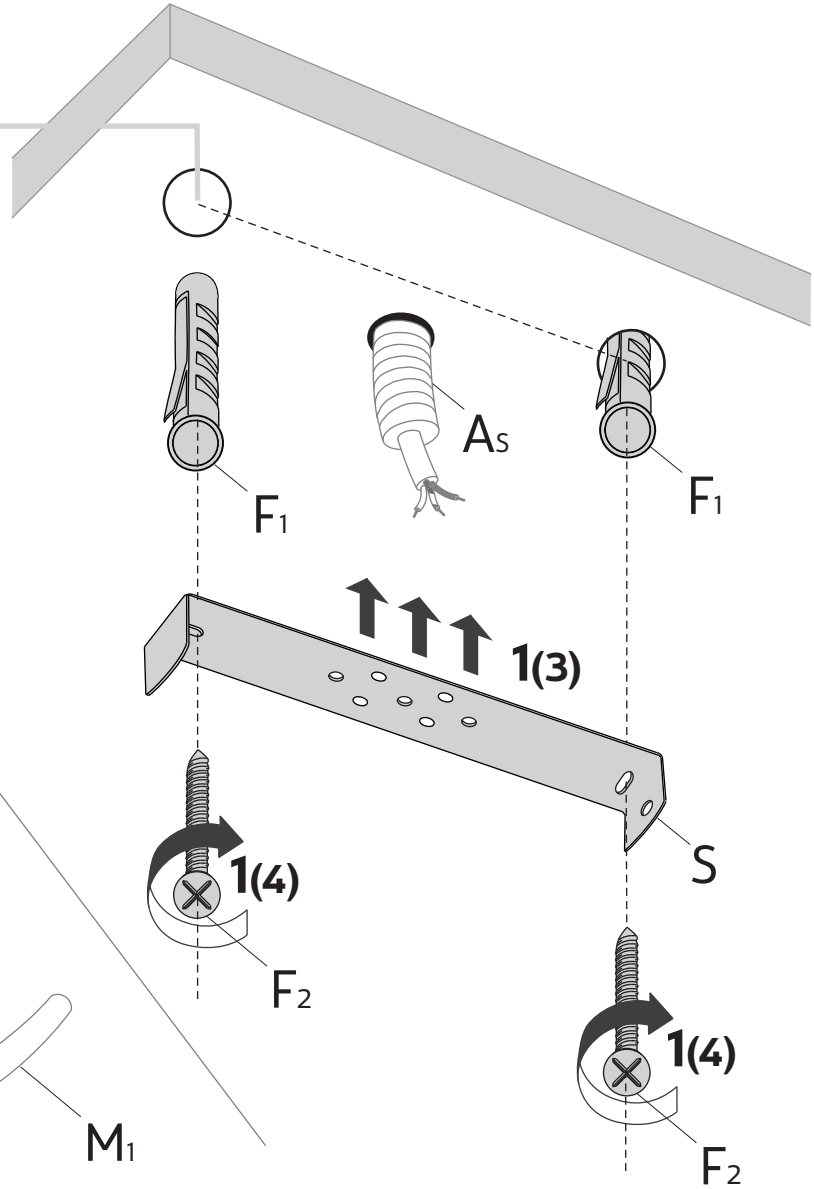
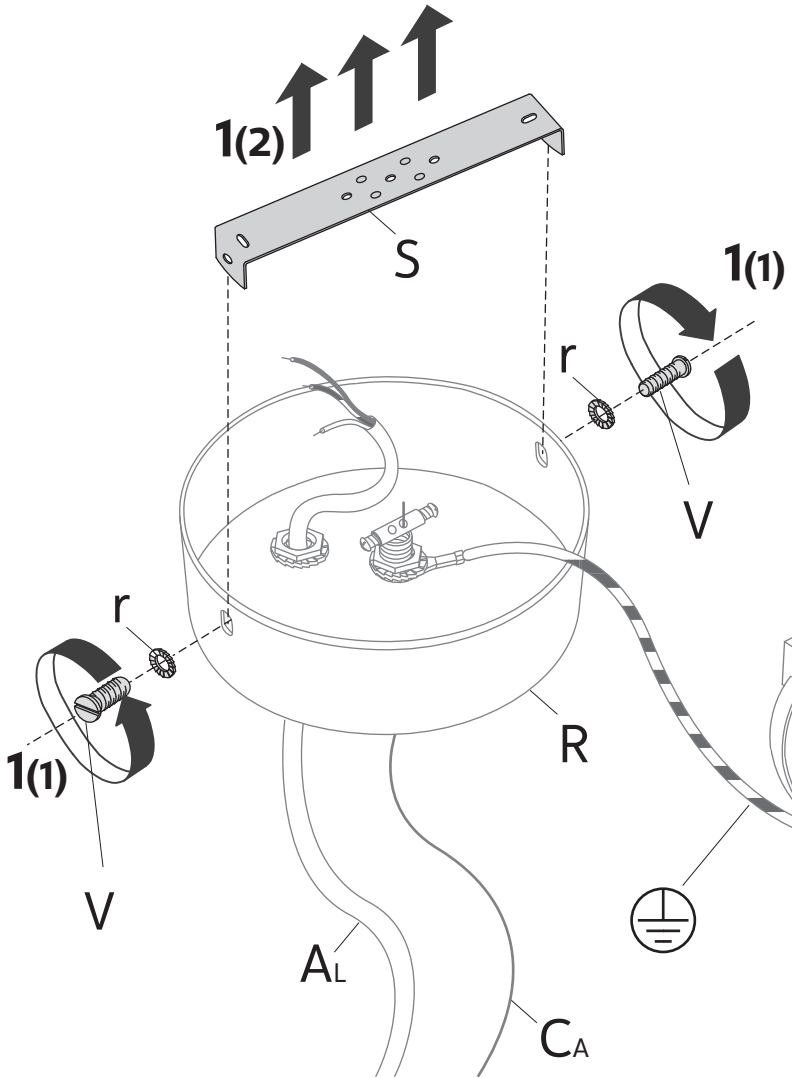


Karman srl

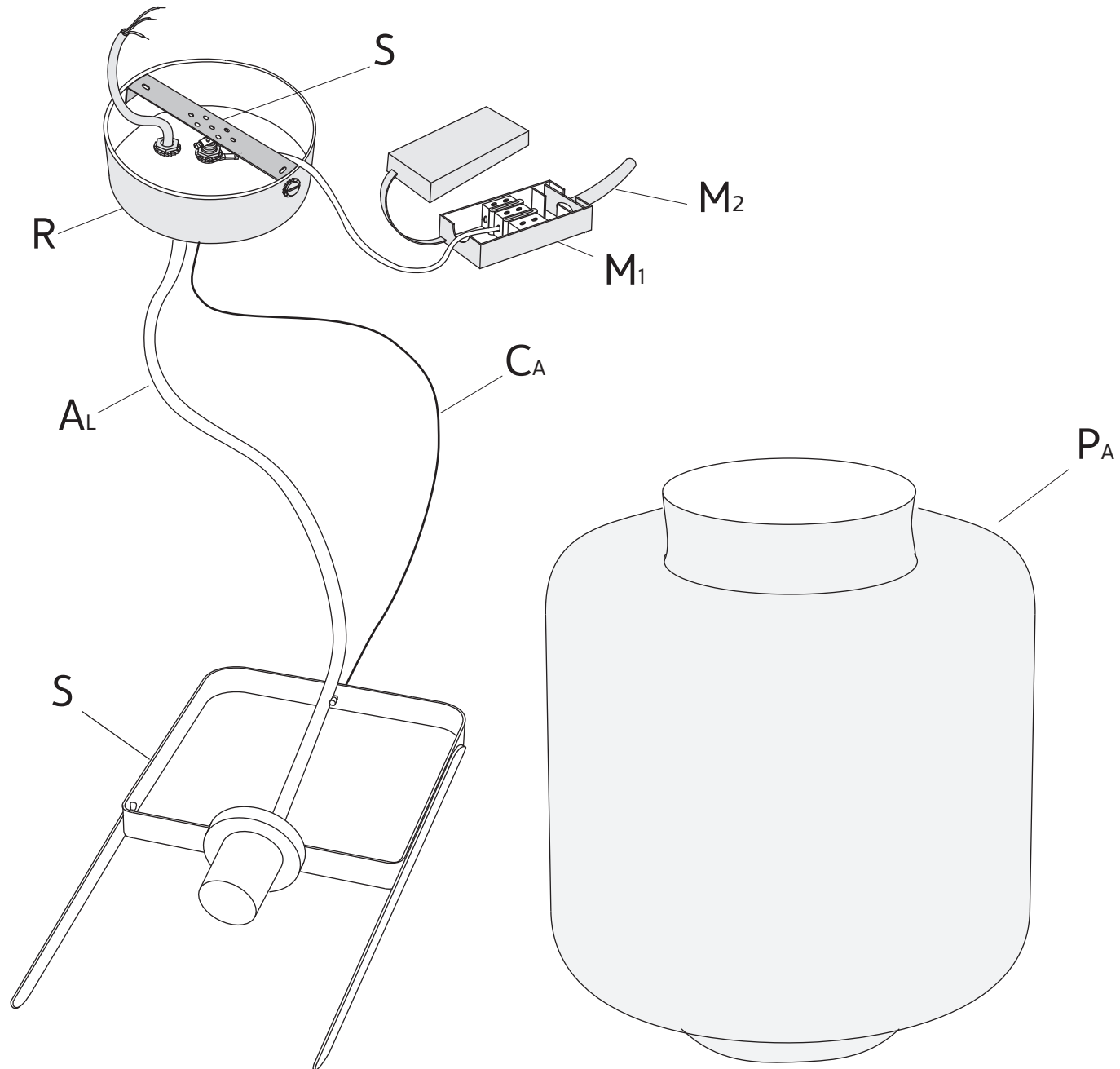
Via A. Grandi, San Martino del piano, 61034 Fossombrone (PU), Italy - p.iva 02175640412 tel +39 0721 71 5042 r.a fax +39 0721 716640 - www.karmanitalia.it



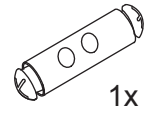
1



C - 01

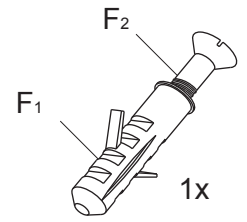


B_a



1x

F



1x

