

# COMPENDIUM

design Daniel Rybakken



**LUCE  
PLAN**

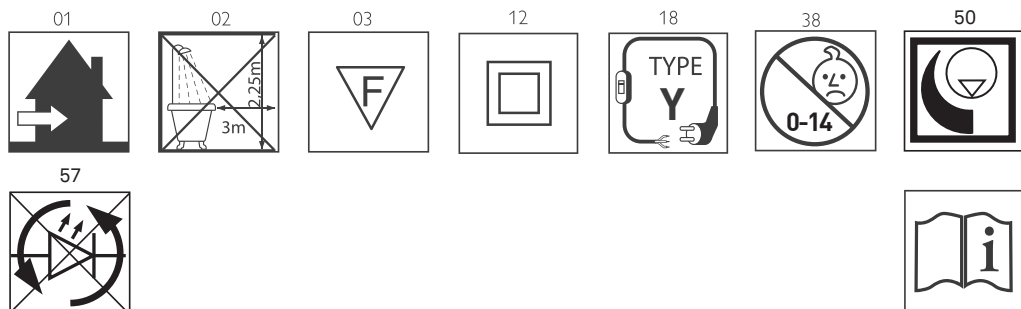
---

D81



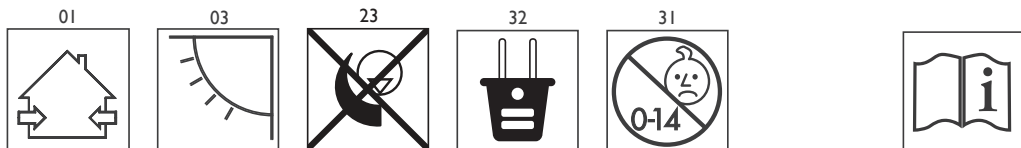
D81NT+D81/1N

D81NTW+D81/1N



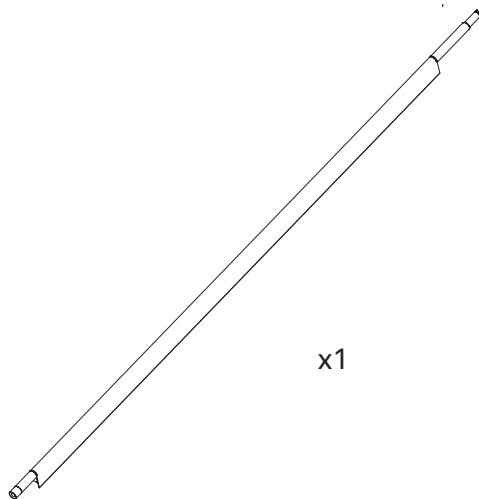
D81NT+D81/1N USA - Canada - Mexico

D81NTW+D81/1N USA - Canada - Mexico



---

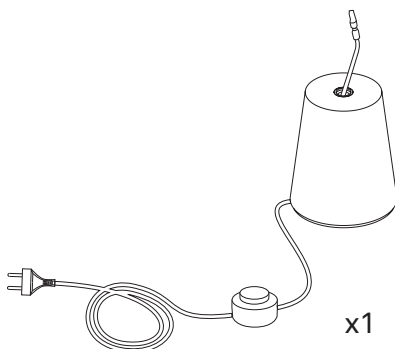
D81NT  
D81NTW



x1



D81/1N



x1

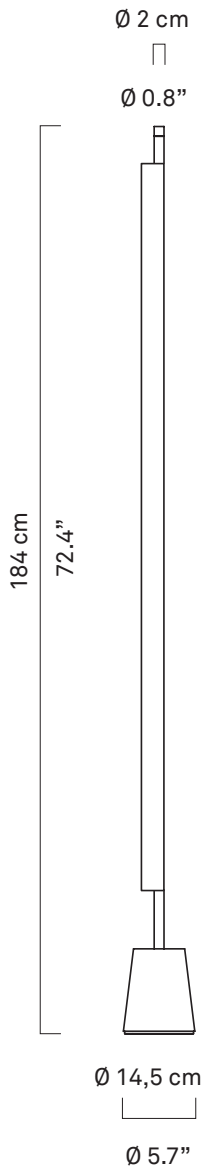
D81NT+D81/1N  
D81NTW+D81/1N



a



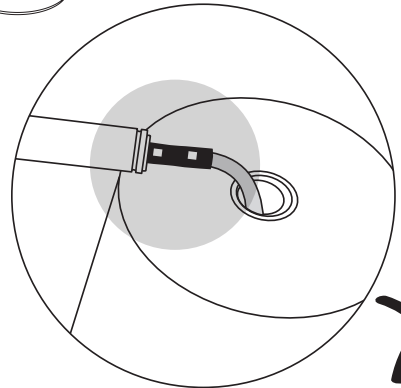
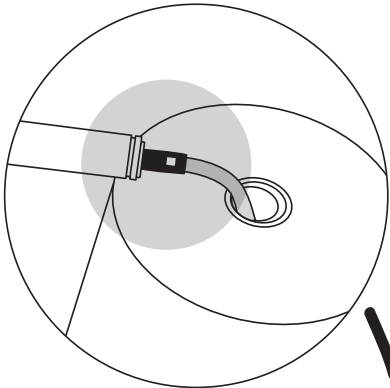
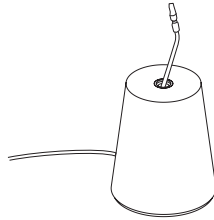
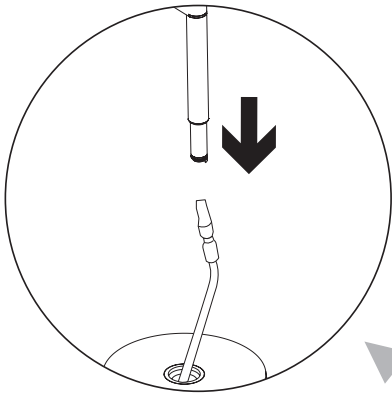
b



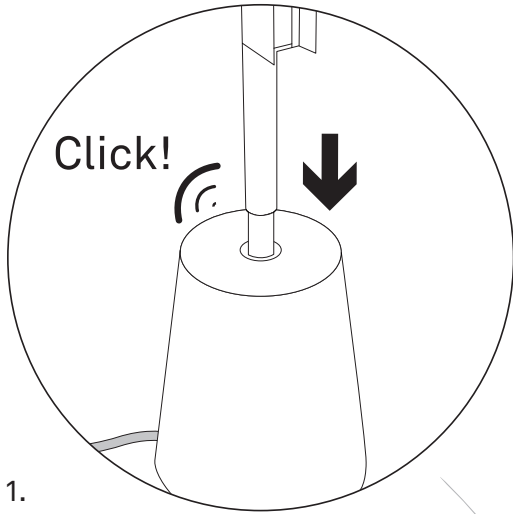
**kg** 5,8 kg

**lb** 12.8 lb

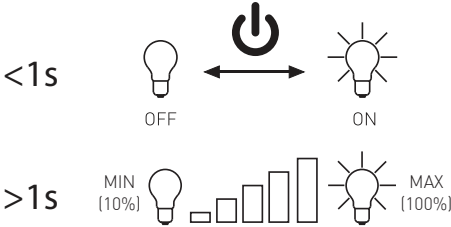
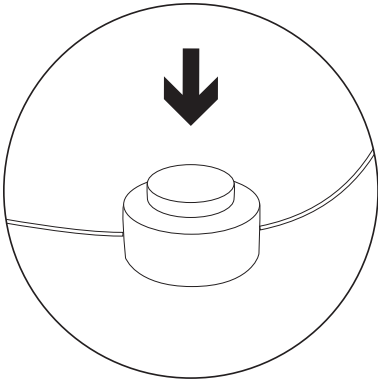
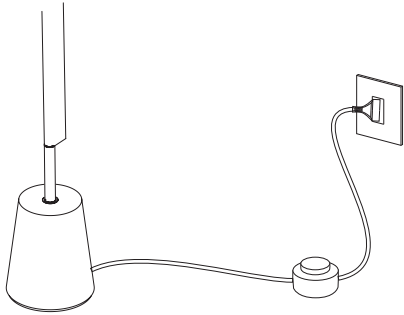
1



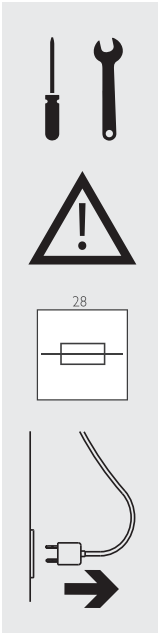
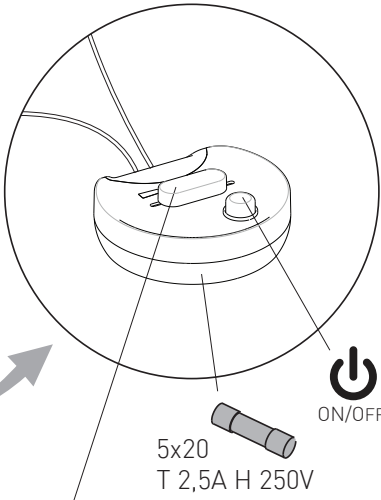
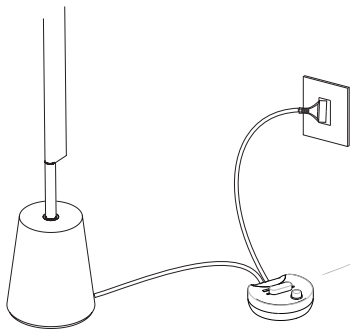
# 1.1

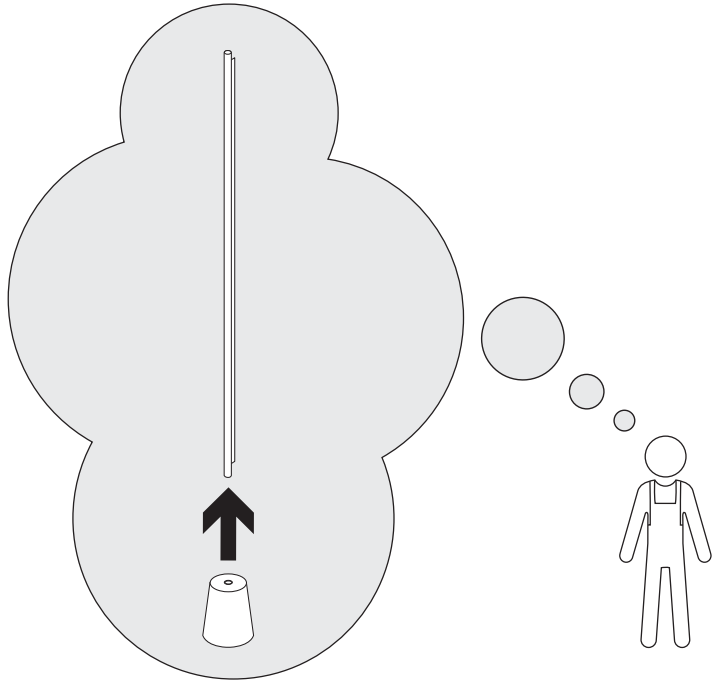


D81NT+D81/1N  
D81NTW+D81/1N

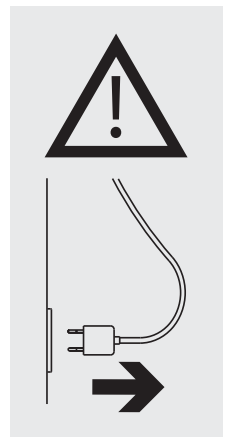
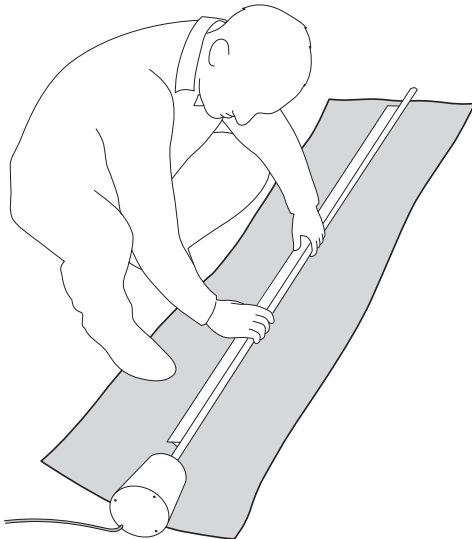


D81NT+D81/1N  
D81NTW+D81/1N  
USA Canada Mexico





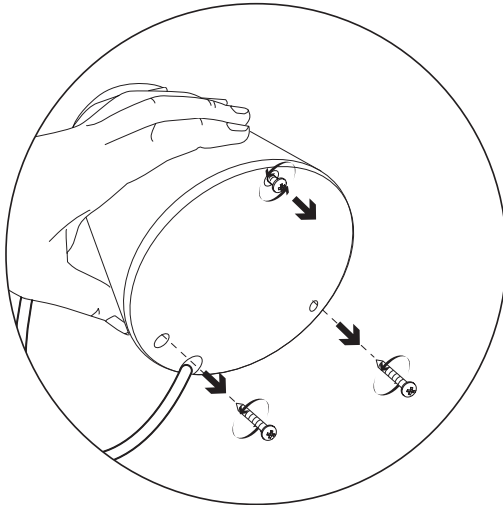
1.



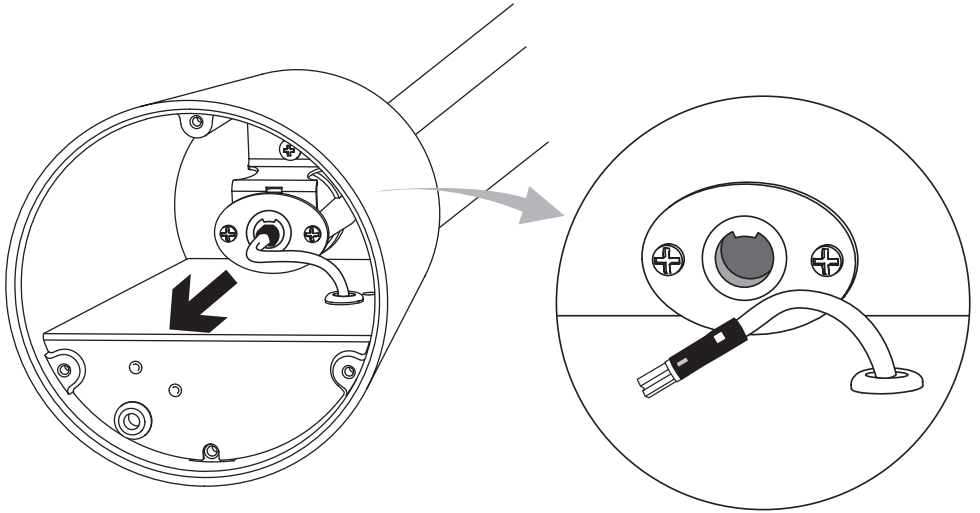


---

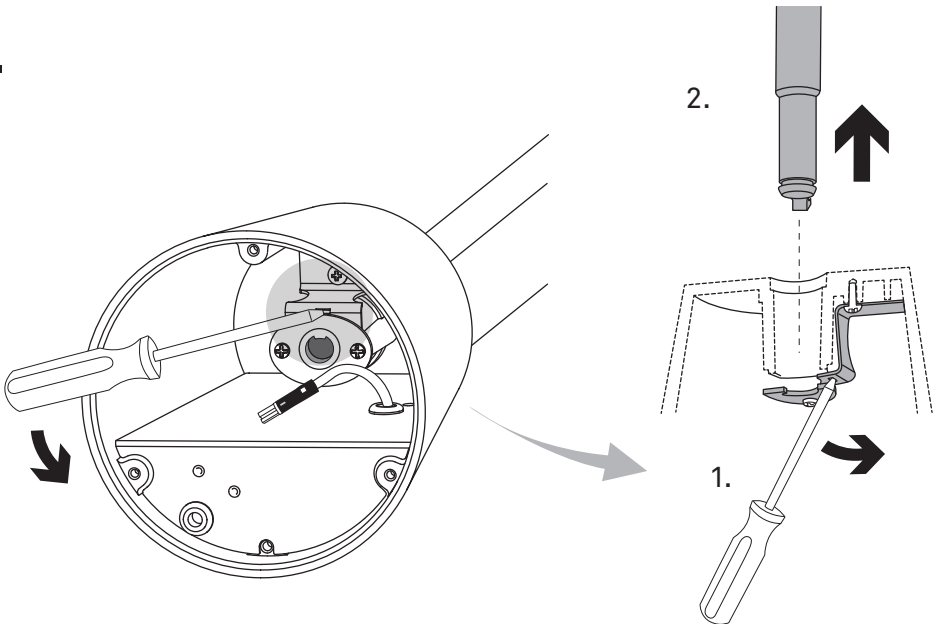
2.

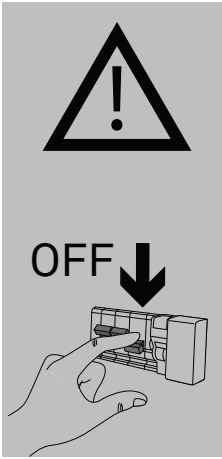


3.

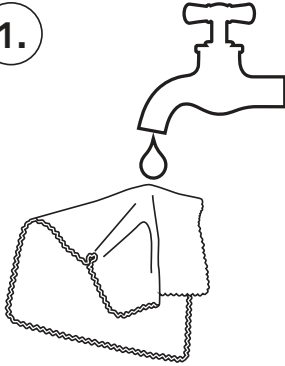


4.





1.

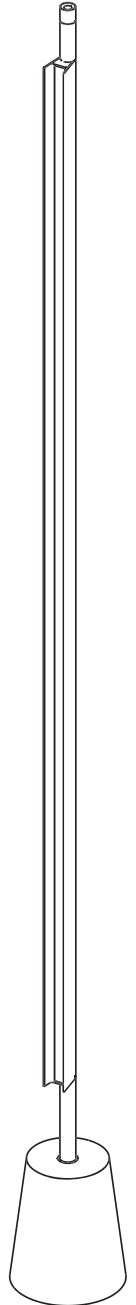
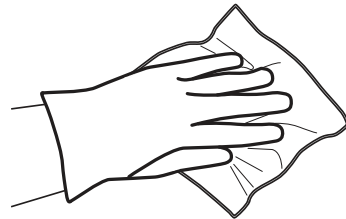
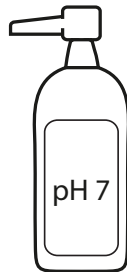


max 30°

2.



3.





[www.luceplan.com](http://www.luceplan.com)

D810IE201