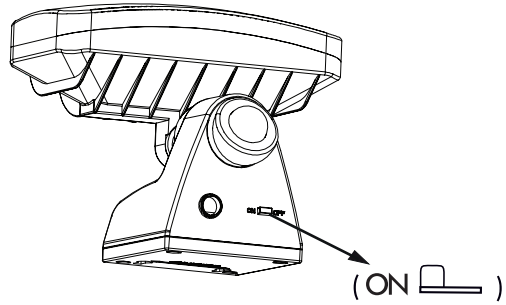


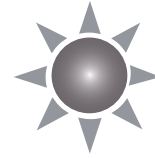
Art.no 481-64

FIRST USE

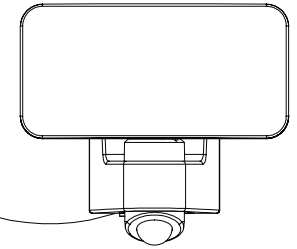
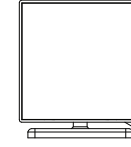
STEP 1.

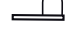


STEP 2.



(ON )

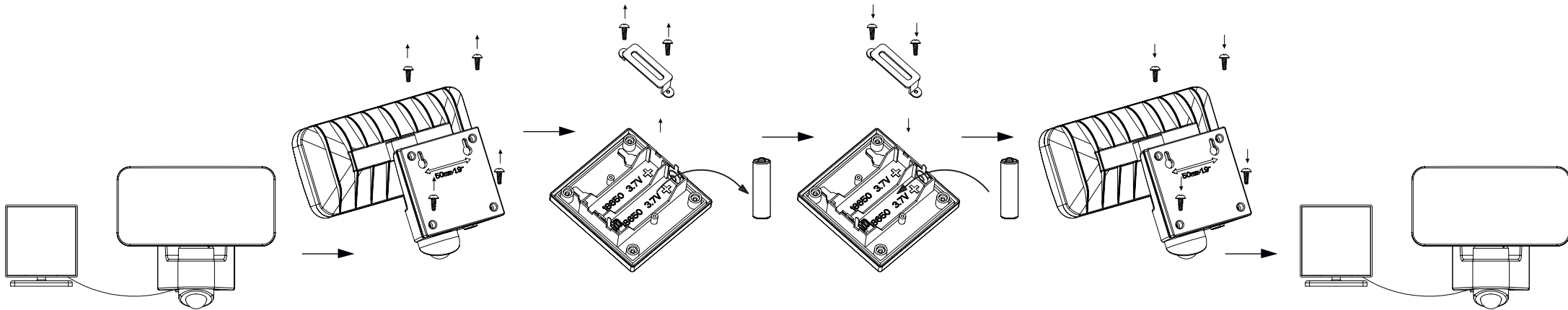


(OFF )

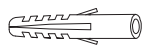


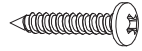
Ready after
36 h in the sun

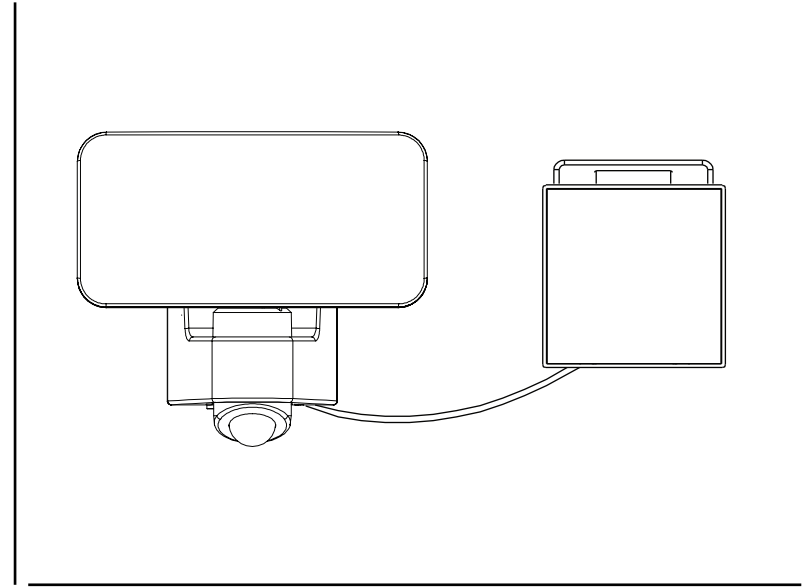
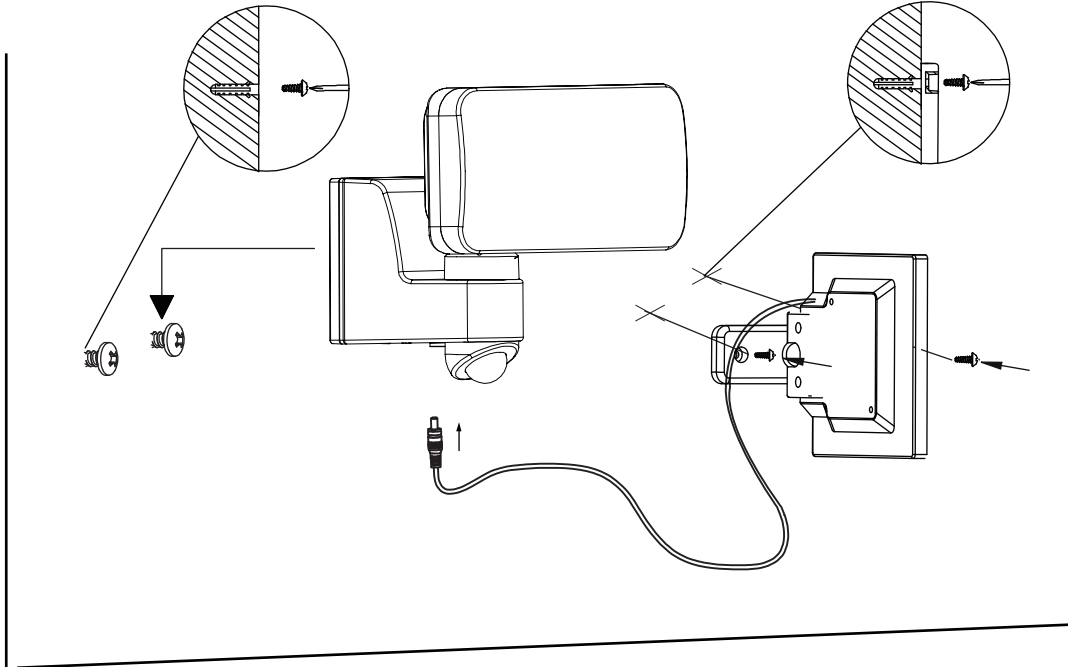
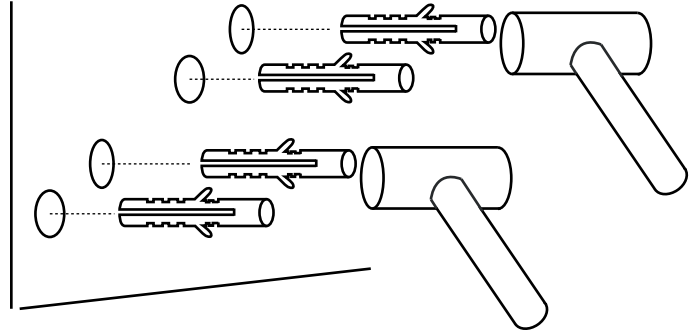
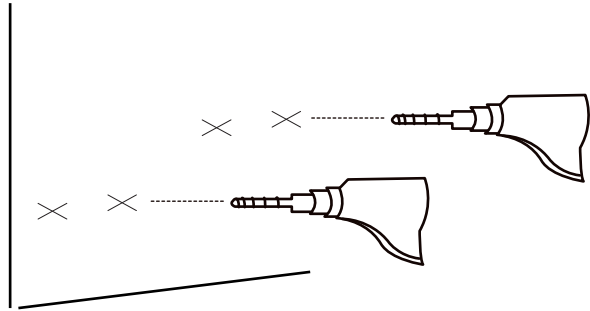
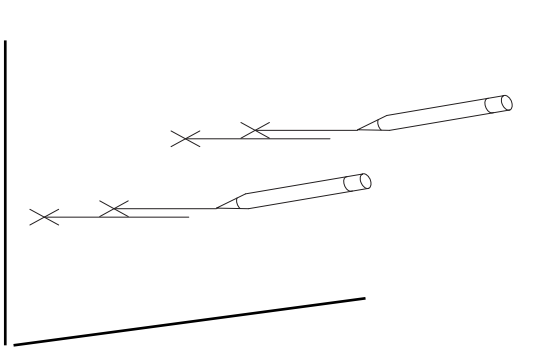
BATTERY REPLACEMENT



STAR[®]
TRADING
STAR STREET 1
512 50 SVENLJUNGA
SWEDEN
www.startrading.com

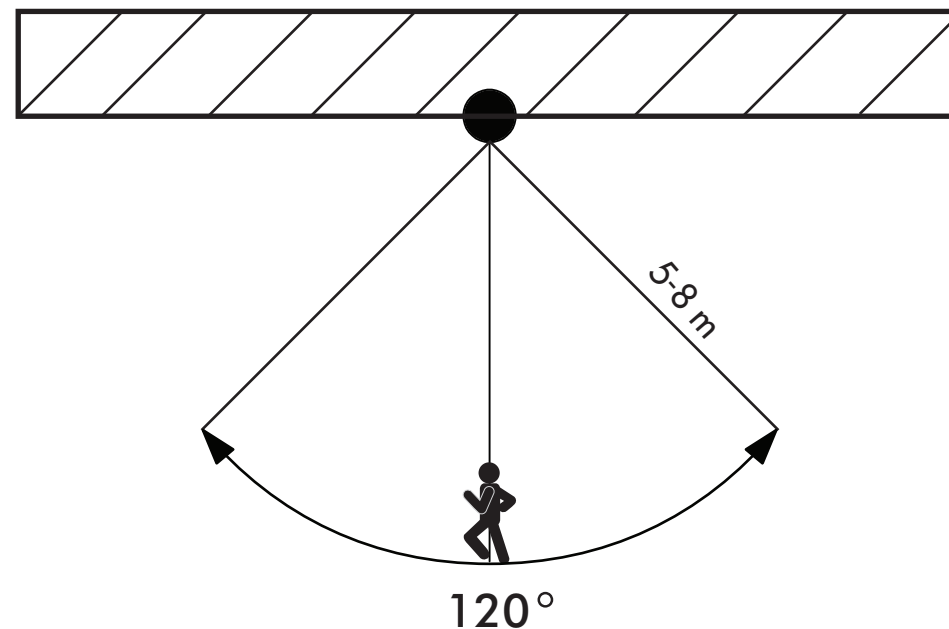
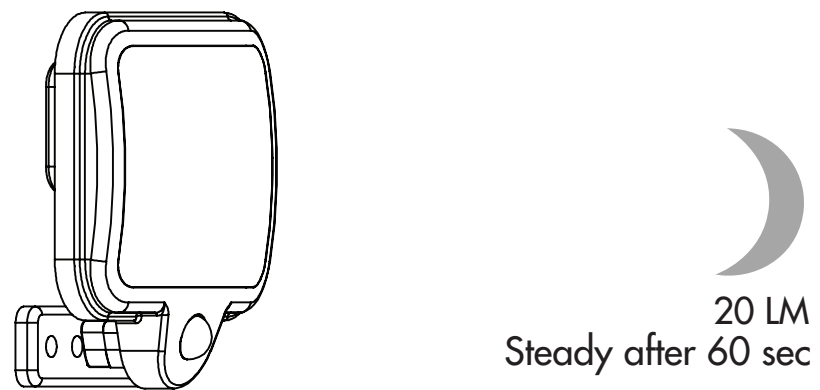
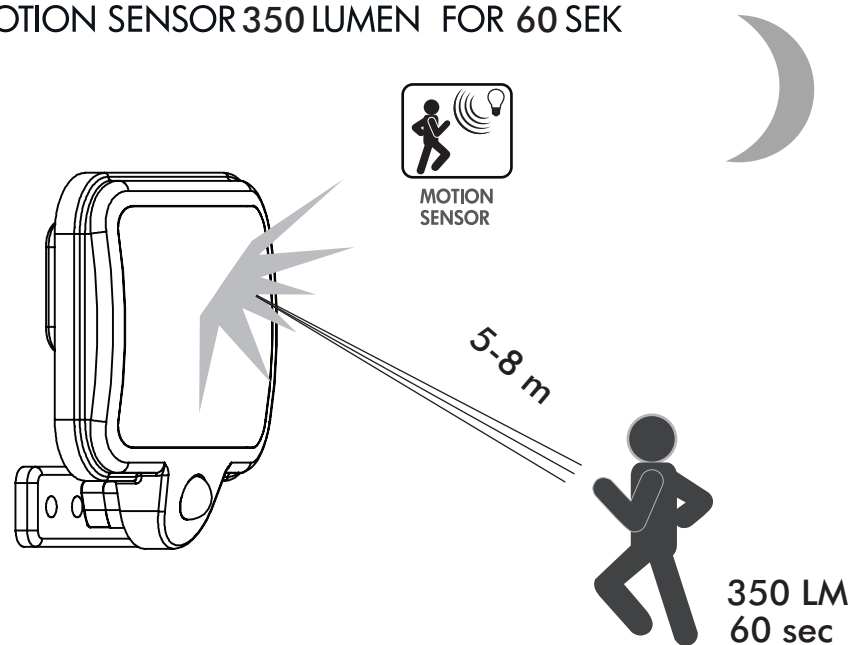
 x 4

 x 4



Art No: 481-64

20 LUMEN CONSTANT LIGHT
MOTION SENSOR 350 LUMEN FOR 60 SEK



STAR[®]
TRADING
STAR STREET 1
512 50 SVENLJUNGA
SWEDEN
www.startrading.com